

PARTS CATALOGUE

ZF-2R
2005



INDEX

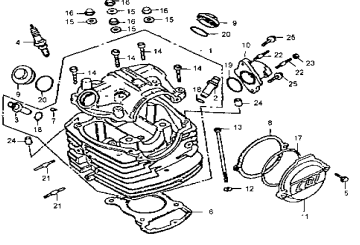
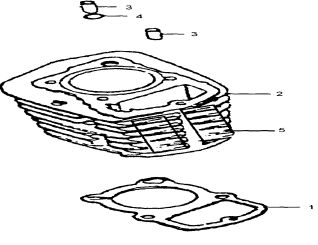
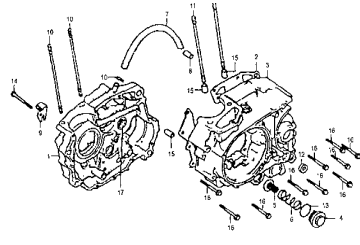
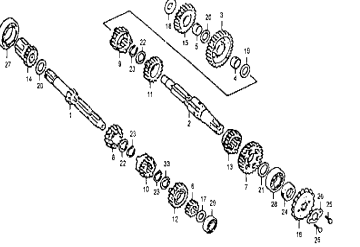
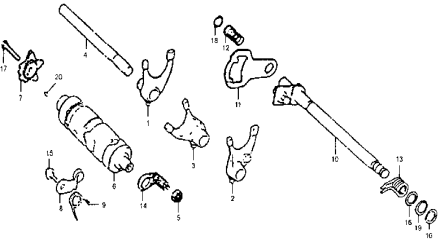
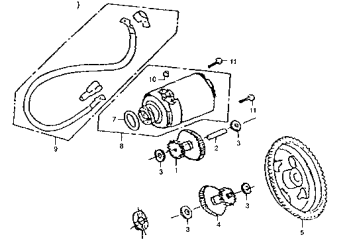
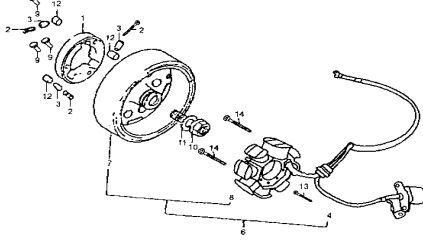
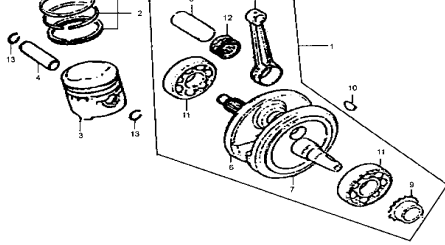
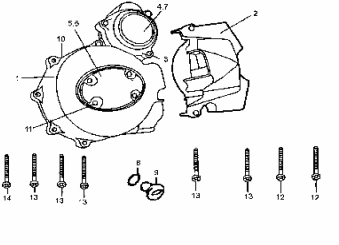
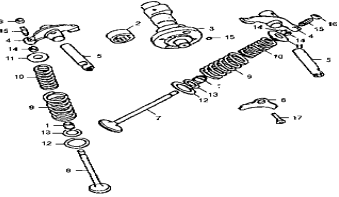
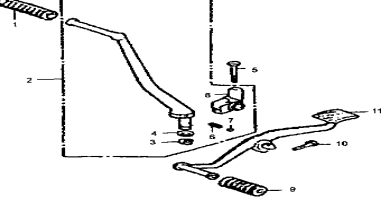
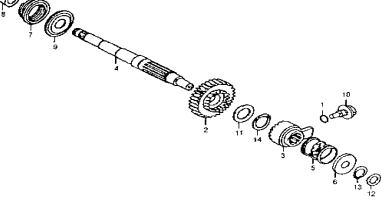
ENGINE

SECTION	FIG #
CYLINDER HEAD	E01
CYLINDER	E02
CRANKCASE	E03
MAINSHAFT,COUNTERSHAFT	E04
GEARSHAFT DRUM SPINDLE	E05
STARTING MOTOR	E06
GENERATOR	E07
PISTON, CRANKSHAFT	E08
L, CRANCASE COVER	E09
CAMSHAFT VALVE	E10
SPINDEL COMP, GEARSHIFT; SPINDLE STARTER	E11
STARTER	E12
OIL PUMP	E13
CRANKSHAFT COVER	E14
CHAIN, CHAIN TENSIONER	E15
CLUTCH	E16

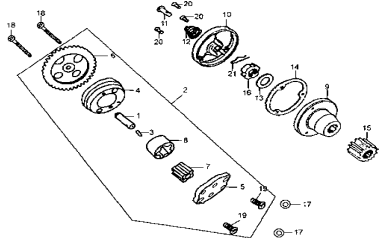
FRAME

SECTION	FIG #
CARBURETOR ASSY	F01
HEADLIGHT ASSY	F02
METER ASSY	F03
HANDLE BAR/SWITCH	F04
HANDLE BAR	F05
STEERING STEM	F06
FRONT FENDER	F07
FRONT FORK	F08
FRONT WHEEL	F09
FRONT HYDRAULIC BRAKE	F10
REAR BRAKE	F11
REAR WHEEL	F12
FUEL TANK/FULE LEVER SENSOR	F13
SEAT	F14
SIDE REAR COVER	F15
AIR CLEANER	F16
EXHAUST MUFFLER	F17
MAIN STAND	F18
PEDAL, GEAR SHIFTING/KICKSTARTER	F19
BRAKE ARM/FOOTREST	F20
REAR FORK/REAR ABSORBER/BOX CHAIN	F21
FIRING	F22
REAR FENDER	F23
TURNING LIGHT ASSY	F24
TAILLIGHT	F25
ELECTRICAL ELEMENTS	F26
FRAME ASSY	F27
TOOLS	F28

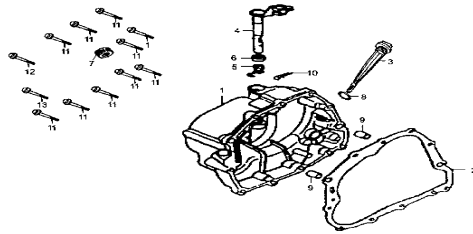
CONTENTS ENGINE GROUP

<p>E01 CYLINDER HEAD</p> 	<p>E02 CYLINDER</p> 	<p>E03 CRANKCASE</p> 
<p>E04 MAINSHAFT, COUNTERSHAFT</p> 	<p>E05 GEARSHAFT DRUM SPINDLE</p> 	<p>E06 STARTING MOTOR</p> 
<p>E07 GENERATOR</p> 	<p>E08 PISTON, CRANKSHAFT</p> 	<p>E09 L, CRANKCASE COVER</p> 
<p>E10 CAMSHAFT VALVE</p> 	<p>E11 SPINDLE COMP, GEARSHIFT; SPINDLE KICK STARTER</p> 	<p>E12 STARTER</p> 

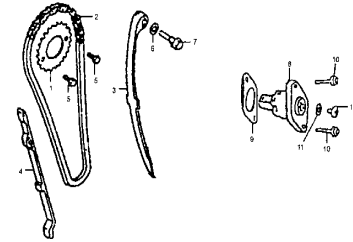
E13 OIL PUMP



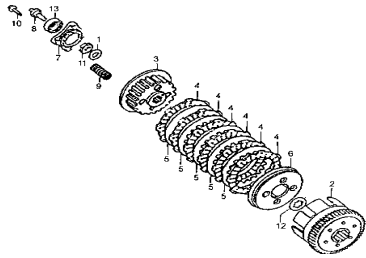
E14 CRANKSHAFT COVER



E15 CHAIN, CHAIN TENSIONER

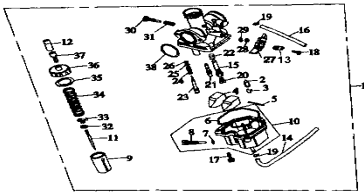


E16 CLUTCH

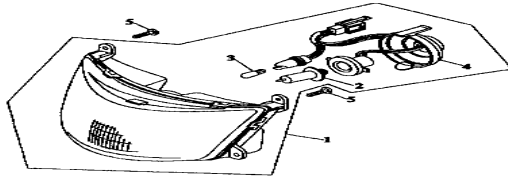


CONTENTS FRAME GROUP

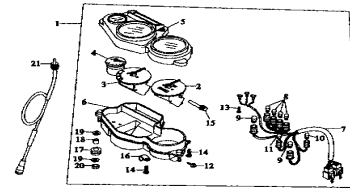
F01 CARBURETOR ASSY



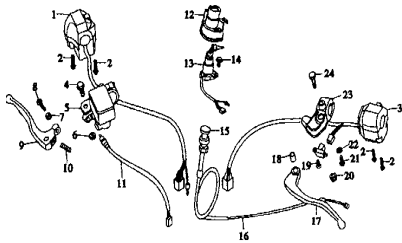
F02 HEADLIGHT ASSY



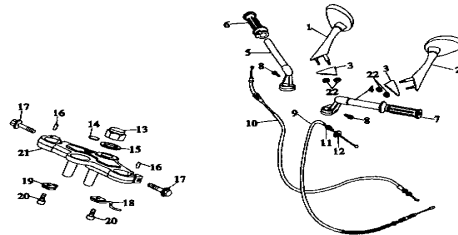
F03 METER ASSY



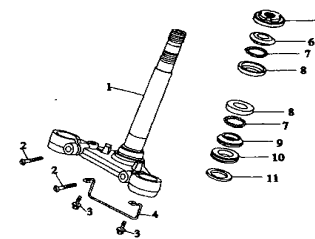
F04 HANDLE BAR/SWITCH



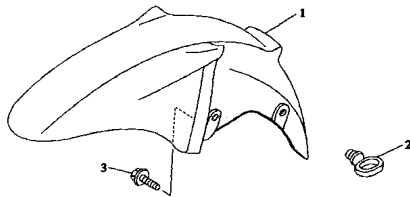
F05 HANDLE BAR



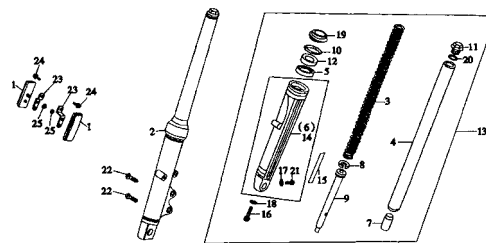
F06 STEERING STEM



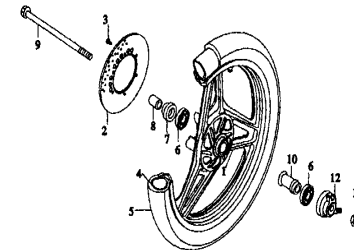
F07 FRONT FENDER

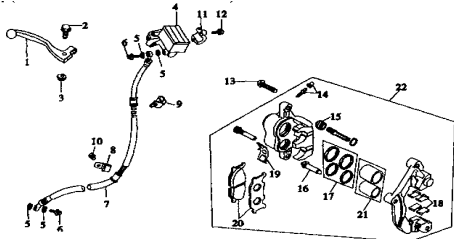
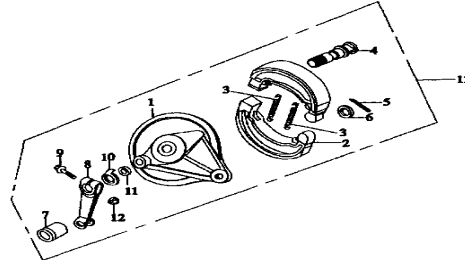
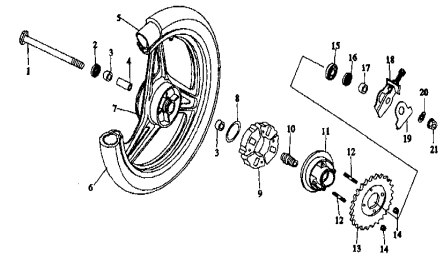
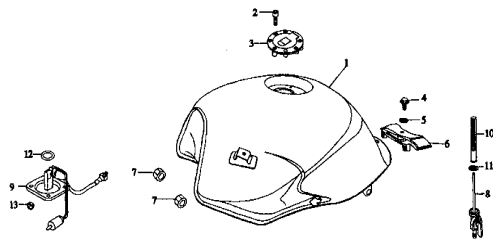
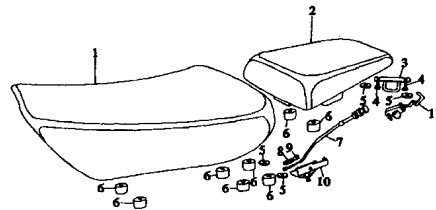
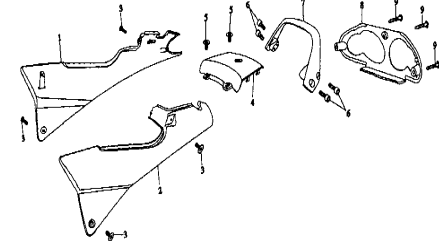
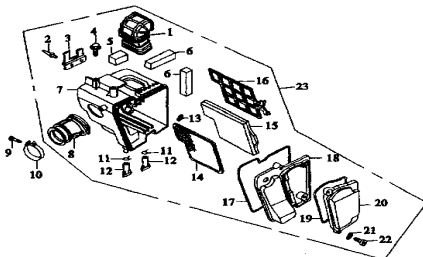
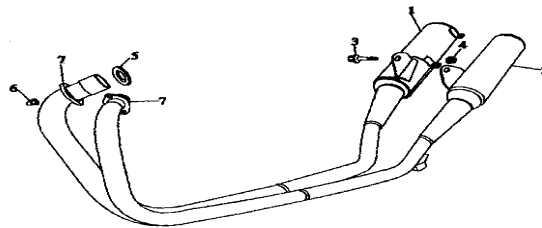
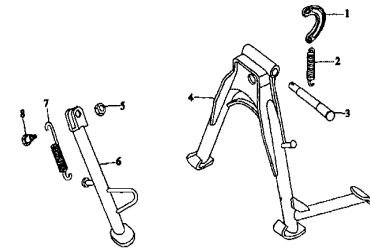
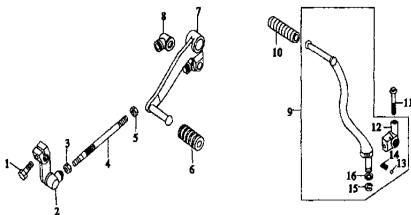
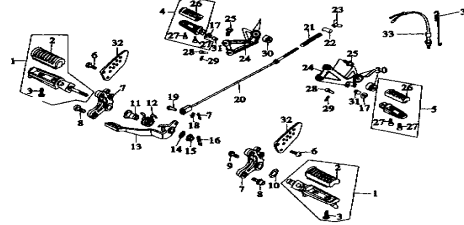
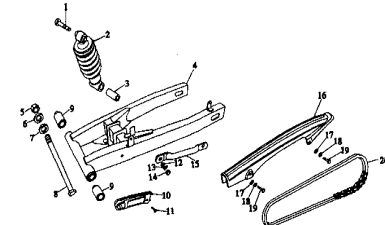


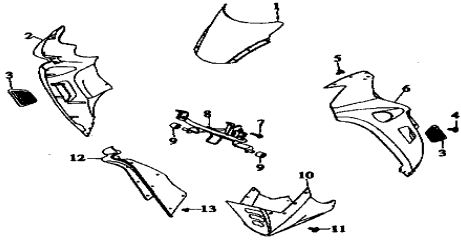
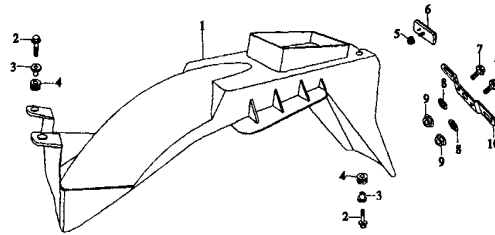
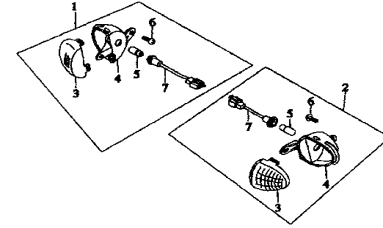
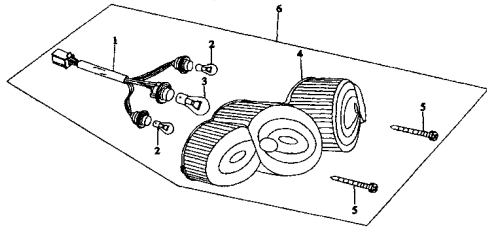
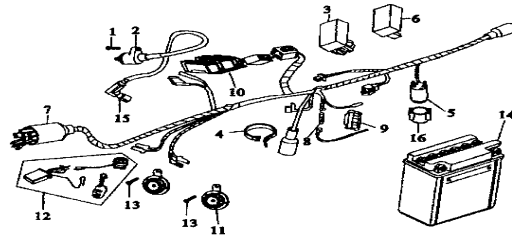
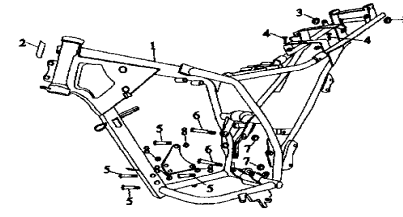
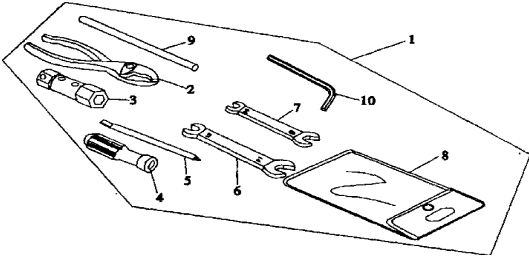
F08 FRONT FORK



F09 FRONT WHEEL

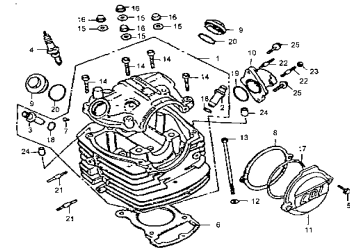


F10 FRONT HYDRAULIC DISC BRAKE**F11 REAR BRAKE****F12 REAR WHEEL****F13 FUEL TANK/FUEL LEVER SENSOR****F14 SEAT****F15 SIDE REAR COVER****F16 AIR CLEANER****F17 EXHAUST MUFFLER****F18 MAIN STAND****F19 PEDAL, GEAR SHIFTING/KICK STARTER****F20 BRAKE ARM/FOOTREST****F21 REAR FORK/REAR ABSORBER/BOX CHAIN**

F22 FIRING**F23 REAR FENDER****F24 TURNING LIGHT ASSY****F25 TAILLIGHT****F26 ELECTRICAL ELEMENTS****F27 FRAME ASSY****F28 TOOLS**

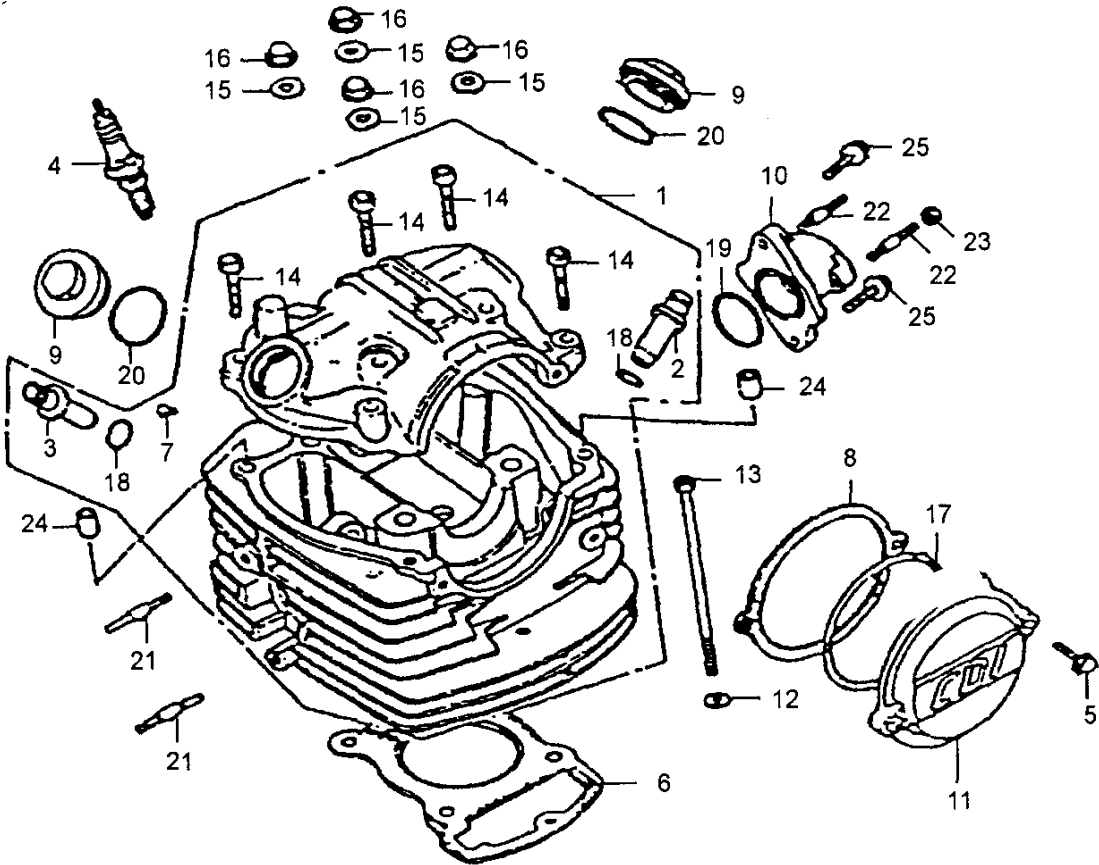
E01 CYLINDER HEAD

REF	PART NUMBER	DESCRIPTION	QTY	2005
1-1	L20-01160	HEAD COMP, CYLINDER	1	1
1-2	I10-01038	GUIDE, IN VALVE	1	1
1-3	I10-01039	GUIDE, EX VALVE	1	1
1-4	I10-01600	SPARK PLUG	1	1
1-5	F10-00005	BOLT FLANGE 6 X 20	2	2
1-6	L20-01040	GASKET, CYLINDER HEAD	1	1
1-7	I10-01036	RUBBER, STEM	1	1
1-8	I10-01021	GASKET	1	1
1-9	I10-01004	CAP, TAPPET ADJUTING HOLE	2	2
1-10	J1A-01050	PIPE, INLET ASSY	1	1
1-11	I10-01019	COVER, L. CYLINDER HEAD SIDE	1	1
1-12	GB/T848	WASHER	1	1
1-13	L20-01017	BOLT HEX 6 X 116	1	1
1-14	GB5786-86	BOLT, HEX 6 X 35	4	4
1-15	I10-01025	WASHER	4	4
1-16	I10-01024	NUT	4	4
1-17	I10-01022	O-RING 75 X 2.5	1	1
1-18	I10-01034	O-RING 10 X 1.6	2	2
1-19	I10-01021	O-RING 33.5 X 3	1	1
1-20	I10-01005	O-RING 35 X 3	2	2
1-21	I10-01015	STUD M6 X 35	2	2
1-22	GB/T901	STUD M6 X 28	2	2
1-23	GB6170-86	NUT 6	1	1
1-24	F10-01032	PIN 8 X 14	2	2
1-25	GB5782-86	BOLT	2	2



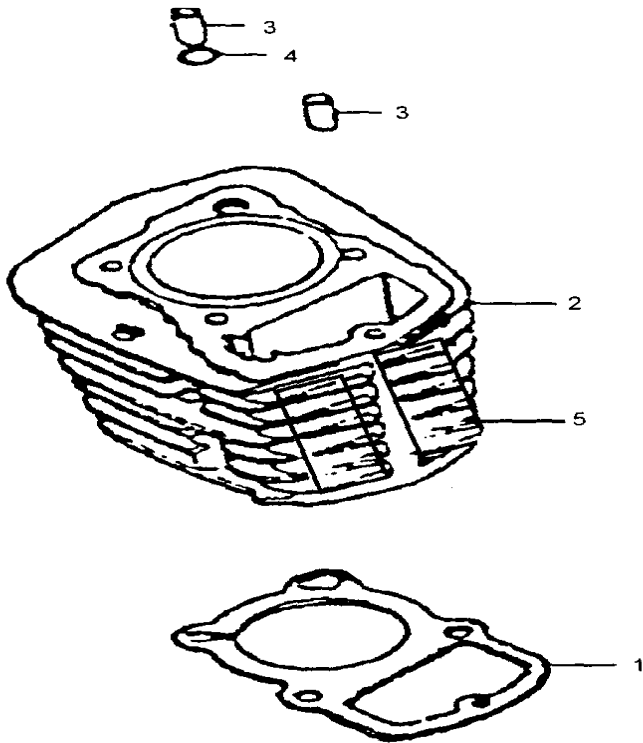
Enlarged figure
Next page

E01 CYLINDER HEAD



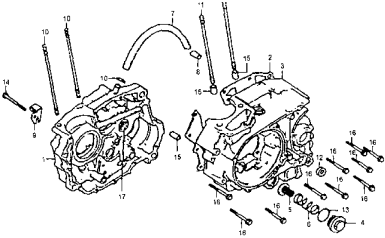
E02 CYLINDER

REF#	PART #	DESCRIPTION	QTY	2005
2-1	J1A-01016	GASKET, CYLINDER	1	1
2-2	I20-01500	CYLINDER	1	1
2-3	I10-01026	PIN, DOWEL 10 X 20	2	2
2-4	I10-01027	O-RING 10 X 1.6	1	1
2-5	L20-01700	CUSHION CYLINDER	8	8



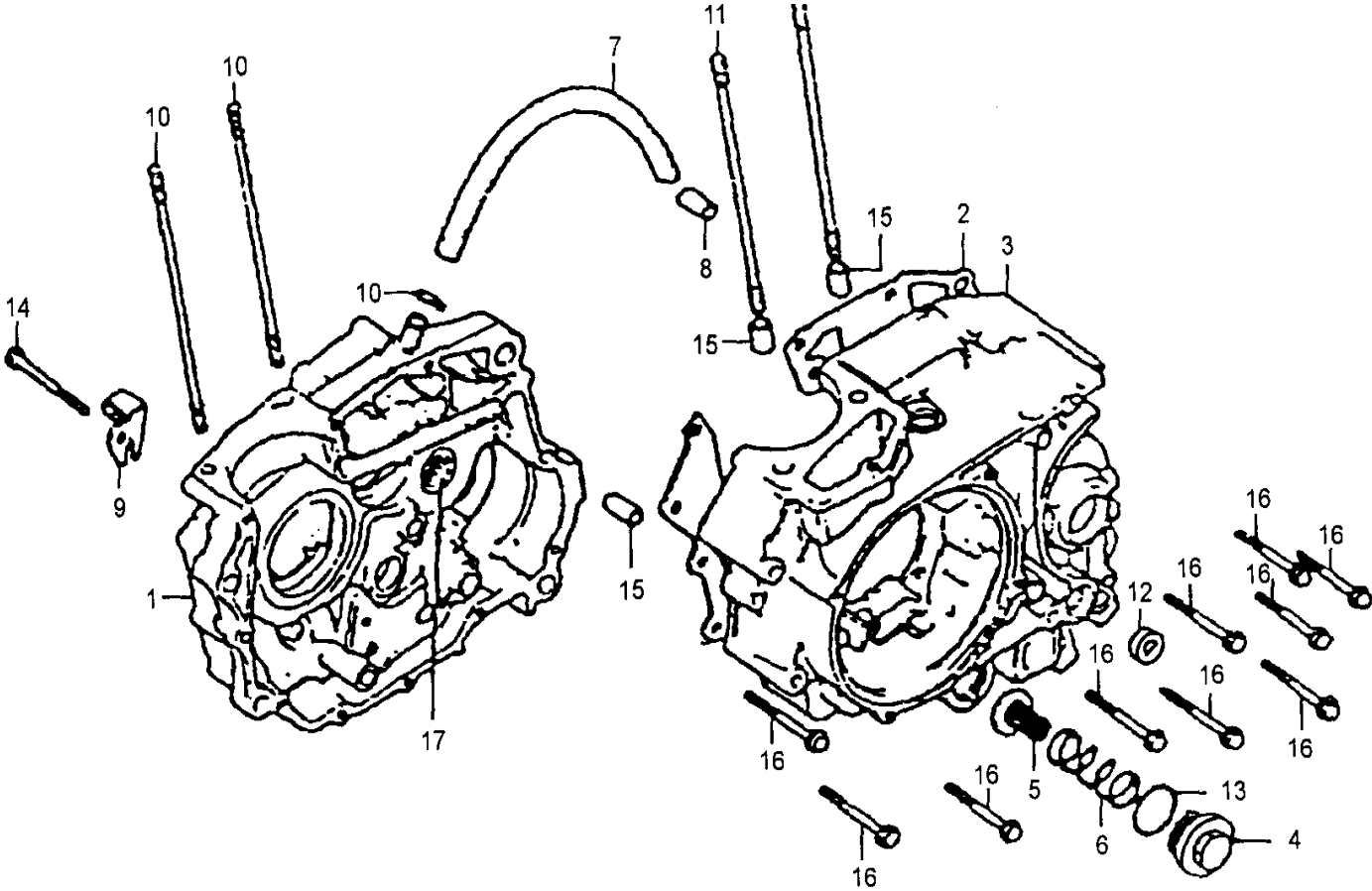
E03 CRANKCASE

REF#	PART #	DESCRIPTION	QTY	2005
3-1	I1A-03110	CRANKCASE COMP, R. ASSY	1	1
3-2	I1A-03006	GASKET, CRANKCASE	1	1
3-3	I1A-03210	CRANKCASE COMP, L ASSY	1	1
3-4	I10-01004	CAP, OIL FILTER	1	1
3-5	I10-03420	SCREEN, OIL FILTER	1	1
3-6	I10-03401	SPRING	1	1
3-7	I10-03001	TUBE	1	1
3-8	I10-03002	CLAMPER, TUBE	1	1
3-9	I10-03003	PLATE	1	1
3-10	I20-02004	BOLT A, CYLINDER STUD	2	2
3-11	L20-03004	BOLT, B CYLINDER STUD	2	2
3-12	I10-03020	OIL SEAL 14 X 28 X 7	1	1
3-13	I10-01005	O-RING 35 X 3	1	1
3-14	GB5782-86	BOLT HEX M6 X 60	1	1
3-15	F10-03017	DOWEL PIN	4	4
3-16	F10-00008	BOLT FLANGE 6 X 50	10	10
3-17	GB/T290	NEEDLE BEARING	1	1



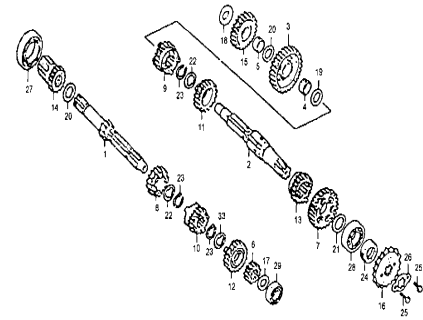
Enlarged figure
Next page

E03 CRANKCASE



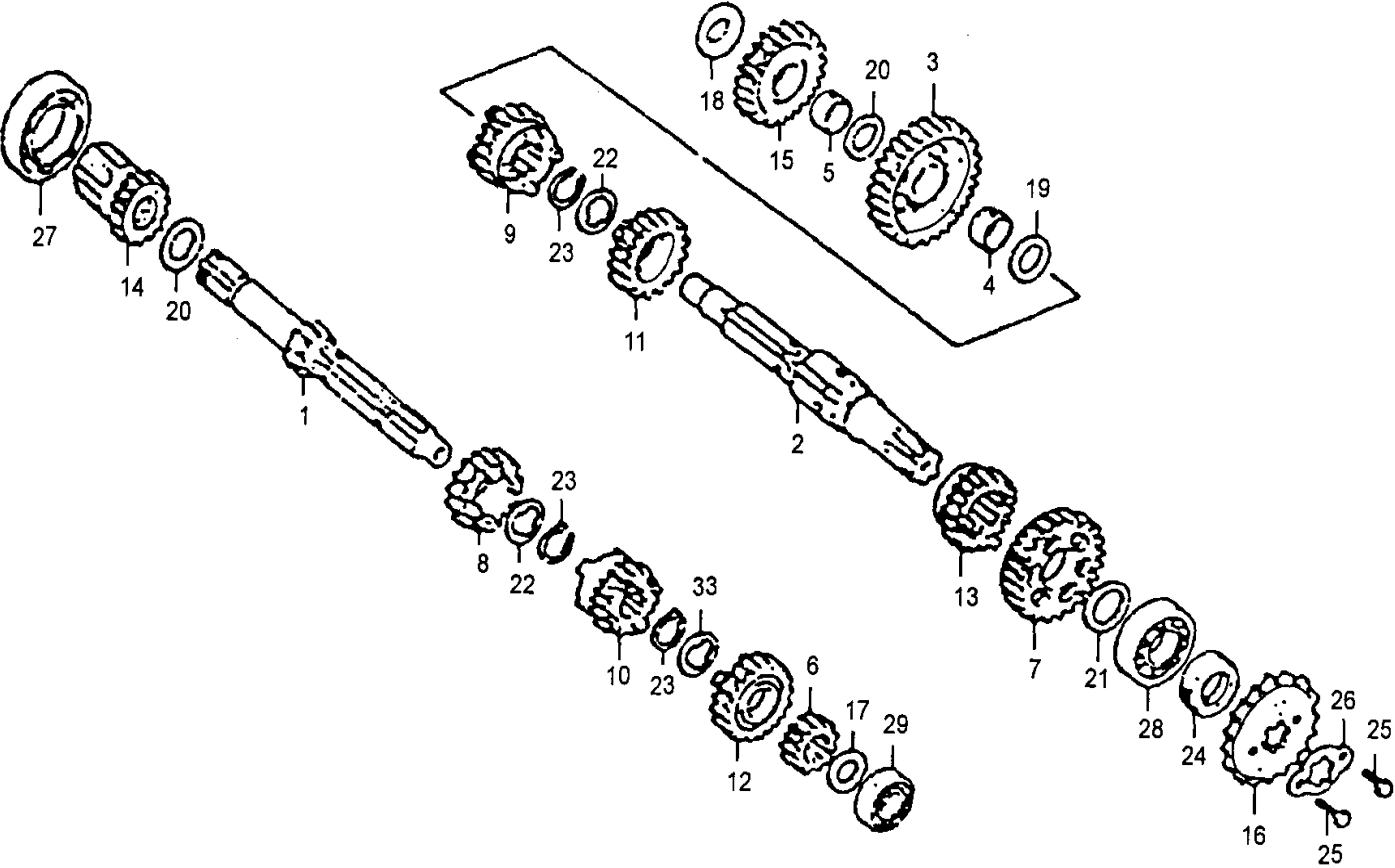
E04 MAINSHAFT, COUNTERSHAFT

REF	PART NUMBER	DESCRIPTION	QTY	2005
4-1	I10-04109	MAINSHAFT	1	1
4-2	I10-04021	COUNTER SHAFT	1	1
4-3	I10-04207	GEAR, COUNTERSHAFT LOW	1	1
4-4	I10-04208	BUSH	1	1
4-5	I10-04212	BUSH	1	1
4-6	I10-04107	GEAR, MAINSHAFT SECOND	1	1
4-7	I10-04203	GEAR, COUNTERSHAFT SECOND	1	1
4-8	I10-04102	GEAR, MAINSHAFT THIRD	1	1
4-9	I10-04206	GEAR, COUNTERSHAFT THIRD	1	1
4-10	I10-04103	GEAR, MAINSHAFT TFOURTH	1	1
4-11	I10-04205	GEAR, COUNTERSHAFT FOURTH	1	1
4-12	I10-04106	GEAR, MAINSHAFT FIFTH	1	1
4-13	I10-04107	GEAR, COUNTERSHAFT FIFTH	1	1
4-14	L20-04110	GEAR STARTER ASSY	1	1
4-15	I10-04211	GEAR	1	1
4-16	I10-0002	SPROCKET, DRIVE	1	1
4-17	I10-04108	WASHER, THRUST	1	1
4-18	I10-04213	WASHER THRUST	1	1
4-19	I10-04101	WASHER THRUST	1	1
4-20	I10-04101	WASHER THRUST	1	1
4-21	I10-04202	WASHER	1	1
4-22	I10-04105	WASHER, SPLINE	1	1
4-23	I10-04104	CIRCLIP	2	2
4-24	I10-03010	OIL SEAL 20 X 34 X 7	1	1
4-25	GB5783-86	BOLT HEX 6 X 10	2	2
4-26	I10-0003	PLATE, DRIVE SPROCKET FIXING	1	1
4-27	GB276-82	BEARING, RADIAL BALL 106	1	1
4-28	GB276-82	BEARING, RADIAL BALL 202	1	1
4-29	GB276-82	BEARING, RADIAL BALL 204	1	1



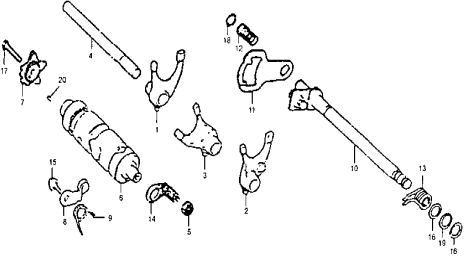
Enlarged figure
Next page

E04 MAINSHAFT, COUNTERSHAFT



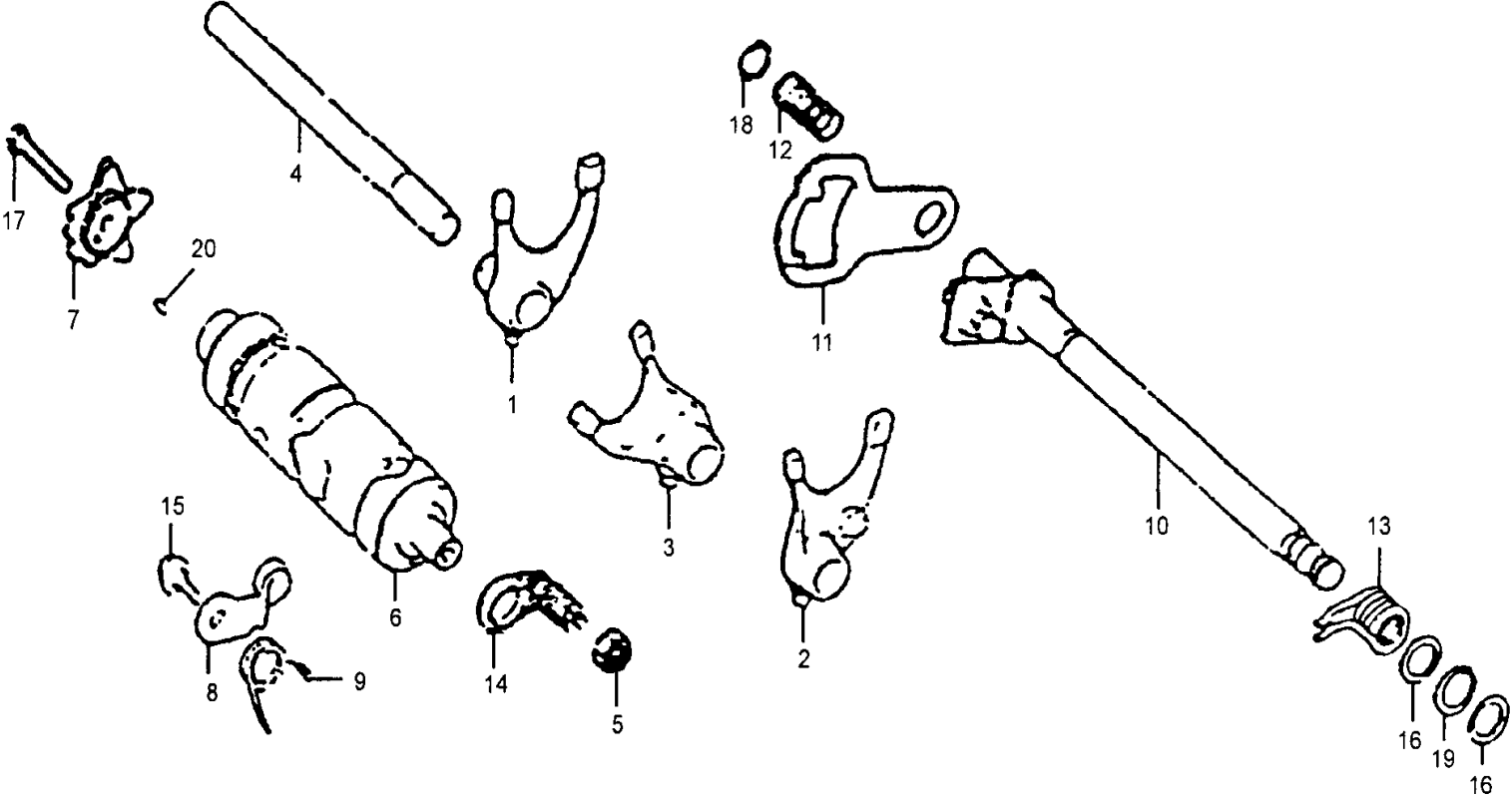
E05 GEARSHAFT DRUM SPINDLE

REF	PART NUMBER	DESCRIPTION	QTY	2005
5-1	I10-04007	FORK, GEARSHIFT	1	1
5-2	I10-04005	FORK, GEARSHIFT	1	1
5-3	I10-04006	FORK, GEARSHIFT	1	1
5-4	I10-04004	SHAFT, GEARSHIFT, FORK	1	1
5-5	GB6170-86	NUT	1	1
5-6	I10-04301	DRUM, GEARSHIFT	1	1
5-7	I10-04008	PLATE, GEARSHIFT DRUM	1	1
5-8	I10-04020	SHIFT DRUM STOPPER	1	1
5-9	I10-04305	SPRING, SHIFT DRUM STOPPER	1	1
5-10	I10-04410	SPINDLE, GEARSHIFT ASSY	1	1
5-11	I10-04302	PLATE GEARSHIFT	1	1
5-12	I10-04303	SPRING	1	1
5-13	I10-04009	SPRING GEARSHIFT RETURN	1	1
5-14	I10-03500	CONTACT ASSY SWITCH	1	1
5-15	GB5783-86	BOLT HEX 6 X 20	1	1
5-16	I10-04304	WASHER THRUST	2	2
5-17	GB5783-80	BOLT HEX 6 X 35	1	1
5-18	GB894.1-86	CIRCLIP 12	1	1
5-19	GB894.1-86	CIRCLIP 14	1	1
5-20	GB119-86	PIN DOWEL, 4 X 10	1	1



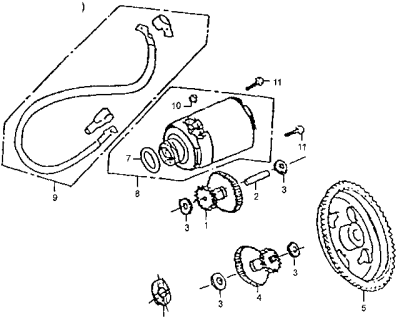
Enlarged figure
Next page

E05 GEARSHAFT DRUM SPINDLE



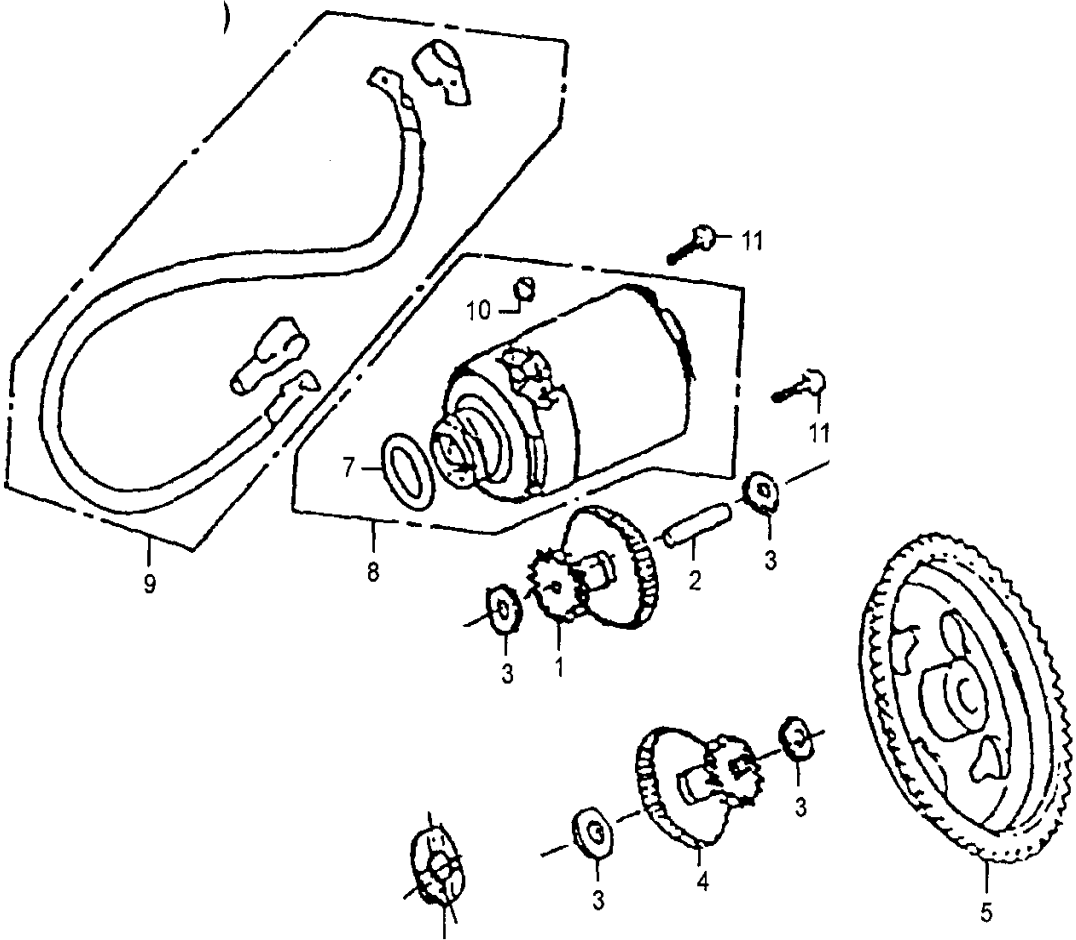
E06 STARTING MOTOR

REF	PART NUMBER	DESCRIPTION	QTY	2005
6-1	I1A-08211	GEAR	1	1
6-2	I1A-08201	GEARSHAFT	1	1
6-3	I1A-08202	CIRCLIP	4	4
6-4	I1A-08203	GEAR	1	1
6-5	L20-08220	PLATE GEAR	1	1
6-6	L20-08204	CIRCLIP	1	1
6-7	I1A-10001	O-RING	1	1
6-8	L20-10100	STARTIN MOTOR	1	1
6-9	I1A-10010	CABLE, STARTING MOTOR	1	1
6-10	I1A-1002	BOLT 5 X 8	1	1
6-11	I1A-1003	BOLT HEX	2	2



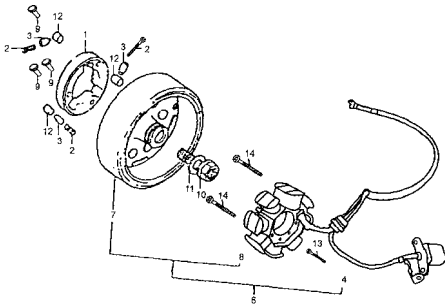
Enlarged figure
Next page

E06 STARTING MOTOR



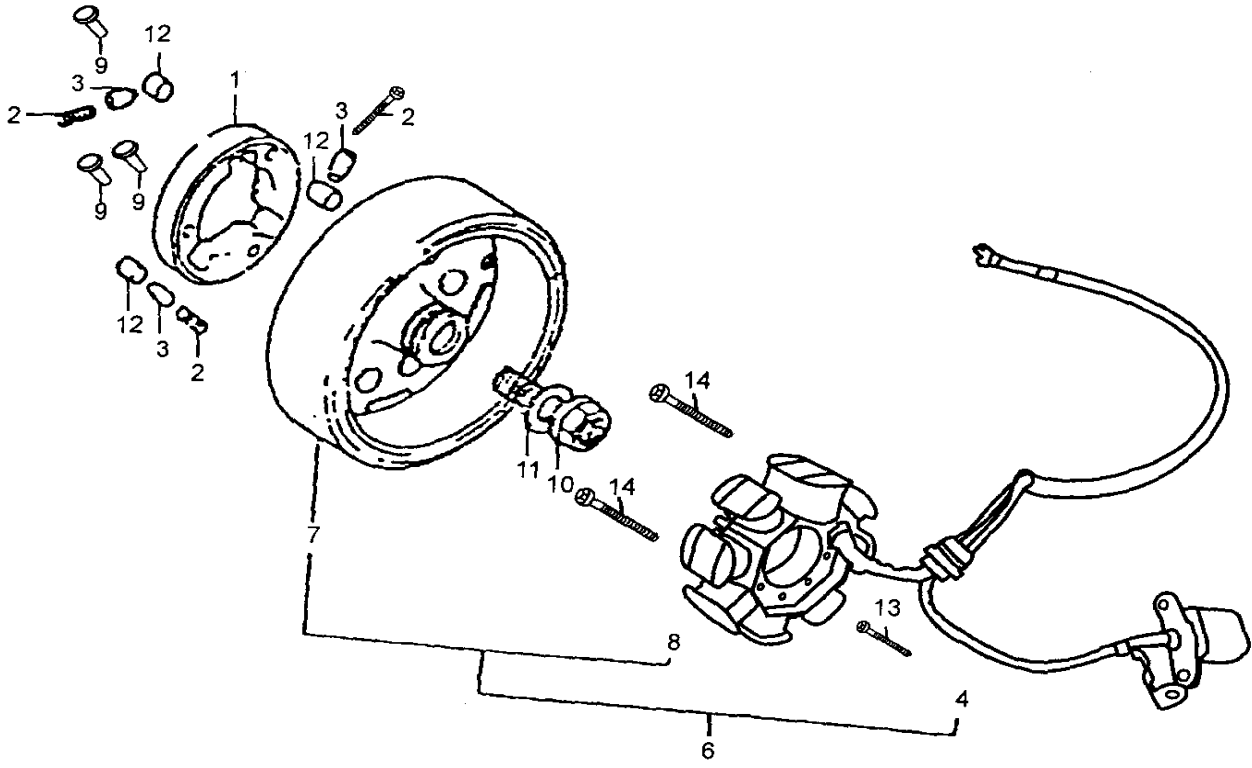
E07 GENERATOR

REF	PART NUMBER	DESCRIPTION	QTY	2005
7-1	I1A-08101	STARTER CLUTCH OUTER ASSY	1	1
7-2	I1A-08106	SPRING CLUTCH ROLLER	3	3
7-3	I1A-08107	CCOVER, SPRING CLUTCH ROLLER	1	1
7-4	I1A-09300	RUBBER	1	1
7-5	I1A-9301	BODY	1	1
7-6	L20-09000	GENERATOR	1	1
7-7	L20-09100	FLY WHEEL COMP	1	1
7-8	I1A-09200	STATOR COMP	1	1
7-9	GB/T119	BOLT	2	2
7-10	I1A-02001	BOLT HEX	1	1
7-11	I10-02202	WASHER	1	1
7-12	I1A-08103	ROLLER	3	3
7-13	GB5783-86	BOLT	2	2
7-14	GB5783-86	BOLT	2	2



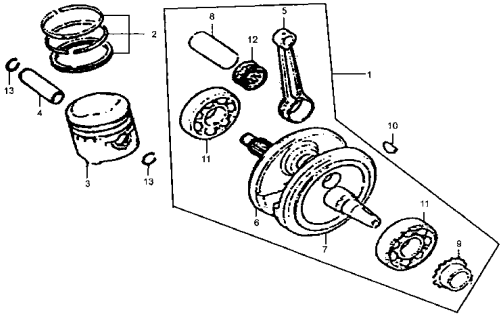
Enlarged figure
Next page

E07 GENERATOR



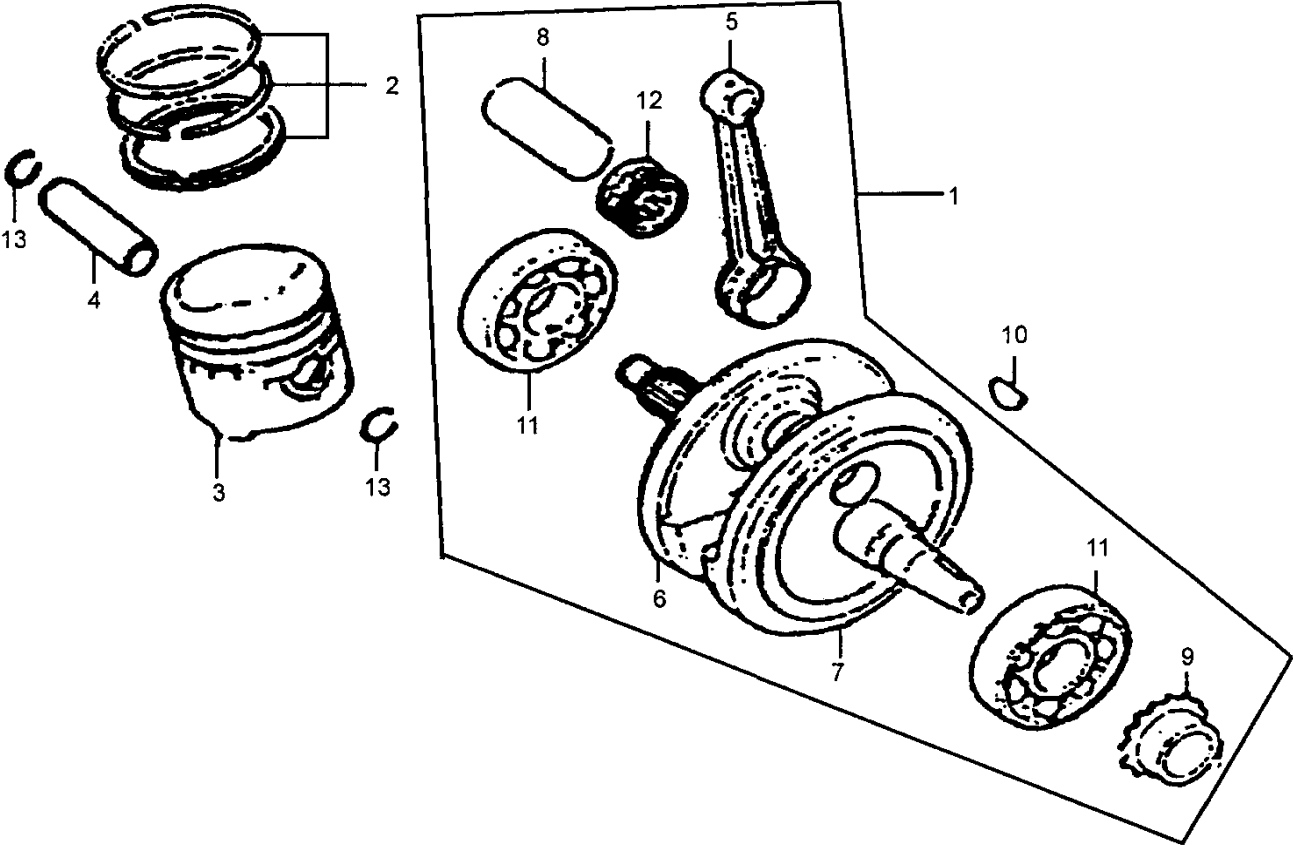
E08 PISTON, CRANKSHAFT

REF	PART NUMBER	DESCRIPTION	QTY	2005
8-1	L20-02200	CRANKSHAFT COMP	1	1
8-2	L20-02102	RINS SET, PISTON	1	1
8-3	L20-02101	PISTON	1	1
8-4	L20-02105	PIN, PISTON	1	1
8-5	J1A-02203	ROD, CONNECTING	1	1
8-6	L20-02207	CRANKSHAFT COMP, R	1	1
8-7	L20-02206	CRANKSHAFT COMP, L	1	1
8-8	I10-02205	PIN, CRANK	1	1
8-9	I10-02204	SPROCKET, TIMING	1	1
8-10	I10-02203	KEY, WOODRUFF	1	1
8-11	I10-02210	BEARING, RADIAL BALL	2	2
8-12	I10-02220	NEEDLE BEARING	1	1
8-13	I10-02105	CLIP, PISTON PIN	2	2



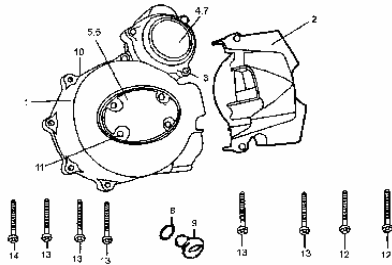
Enlarged figure
Next page

E08 PISTON, CRANKSHAFT



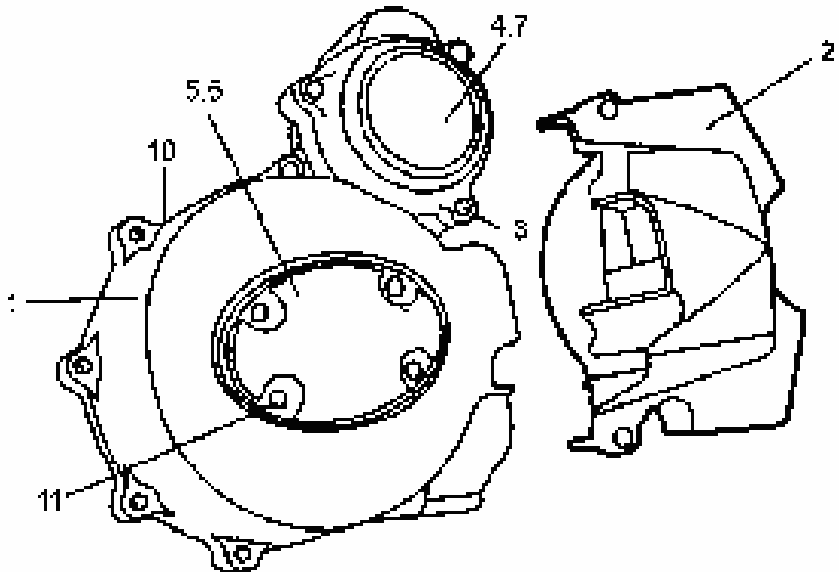
E09 L CRANKCASE COVER

REF	PART NUMBER	DESCRIPTION	QTY	2005
9-1	I1A-06006	COVER L CRANKCASE	1	1
9-2	I1A-06007	COVER L RR	1	1
9-3	F10-00005	BOLTHEX	3	3
9-4	I10-06202	COVER, GEAR	1	1
9-5	GB-06017	CAP A	1	1
9-6	F1B-06004	O-RING	1	1
9-7	I1A-06201	O-RING 63 X 3	1	1
9-8	F1B-06005	O-RING	1	1
9-9	F1B-06003	CAP B	1	1
9-10	I1A-06001	GASKET L CRANKCASE	1	1
9-11	F10-00004	BOLT, HEX	4	4
9-12	I20-0001	BOLT, HEX	2	2
9-13	F10-00008	BOLT, HEX	4	4
9-14	F10-00009	BOLT, HEX	2	2



Enlarged figure
Next page

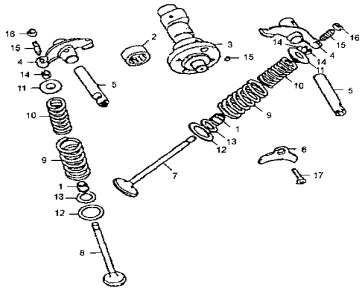
E09 L CRANKCASE COVER



- 14
- 12
- 13
- 13
- 8
- 9
- 13
- 13
- 12
- 12

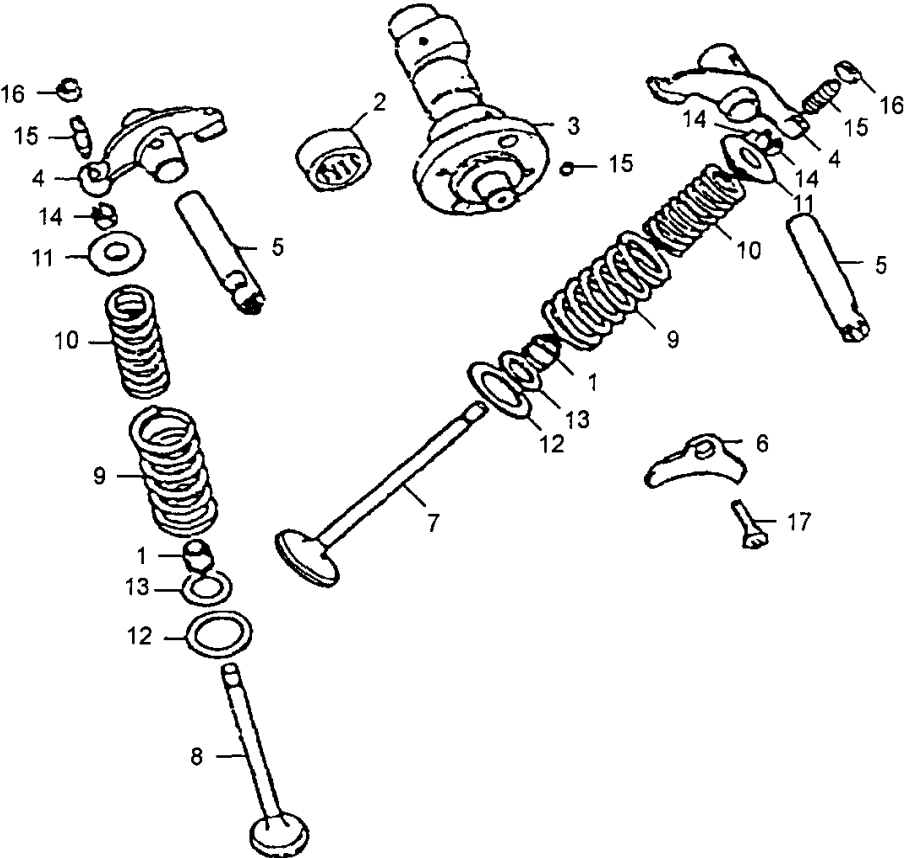
E10 CAMSHAFT VALVE

REF	PART NUMBER	DESCRIPTION	QTY	2005
10-1	I10-01040	SEAL, VALVE STEM	2	2
10-2	L20-01203	BEARING ROLL	1	1
10-3	L20-01200	CAMSHAFT ASSY	1	1
10-4	I10-01031	ROCKER ARM	2	2
10-5	I10-01006	ROCKER ARM	2	2
10-6	L10-01023	VALVE STOPPER	1	1
10-7	L20-01103	VALVE INLET	1	1
10-8	L20-01109	VALVE EXHAUST	1	1
10-9	I10-01012	SPRING, VALVE OUTER	2	2
10-10	I10-01011	SPRING, VALVE INNER	2	2
10-11	I10-01007	SEAT	2	2
10-12	I10-01014	SEAT, OUTER	2	2
10-13	I10-01013	SEAT, INNER	2	2
10-14	I10-01008	VALVE CLAMP	4	4
10-15	I10-01032	COFTER, VALVE	2	2
10-16	I10-01032	VALVE CLEARNCE ADJUSTING NUT	2	2
10-17	GB819-85	SCREW	1	1



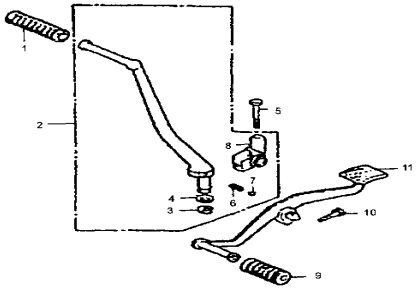
Enlarged figure
Next page

E10 CAMSHAFT VALVE



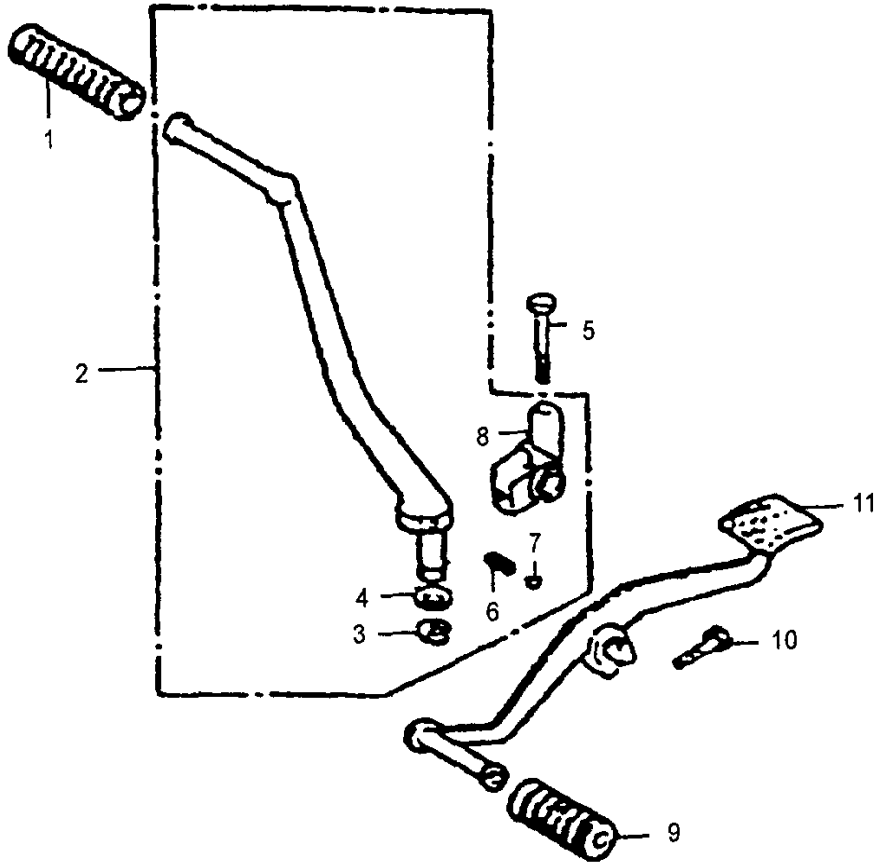
E11 SPINDLE COMP, GEARSHIFT. SPINDLE, KICK STARTER

REF	PART NUMBER	DESCRIPTION	QTY	2005
11-1	I10-00021	RUBBER, KICK STARTER	1	1
11-2	I10-00022	ARM ASSY, KICK STARTER	1	1
11-3	GB894.1-86	WASHER	1	1
11-4	I10-00025	WASHER, THRUST	1	1
11-5	GB/T5782	BOLT M8 X 40	1	1
11-6	I10-00023	LOCATING SPRING	1	1
11-7	GB/T308-84	STEEL BALL	1	1
11-8	I10-00024	SPLINE SEAT	1	1
11-9	I10-00011	RUBBER PEDAL GEARSHIFT	1	1
11-10	GB5782	BOLT	1	1
11-11	I10-00015	PEDAL GEARSHIFT	1	1



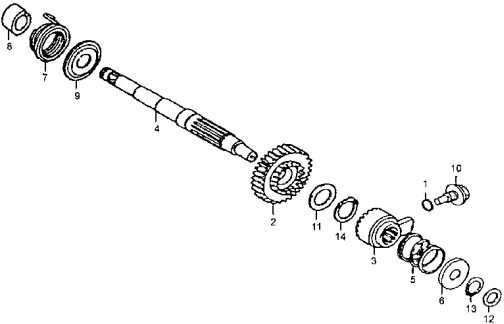
Enlarged figure
Next page

E11 SPINDLE COMP, GEARSHIFT. SPINDLE, KICK STARTER



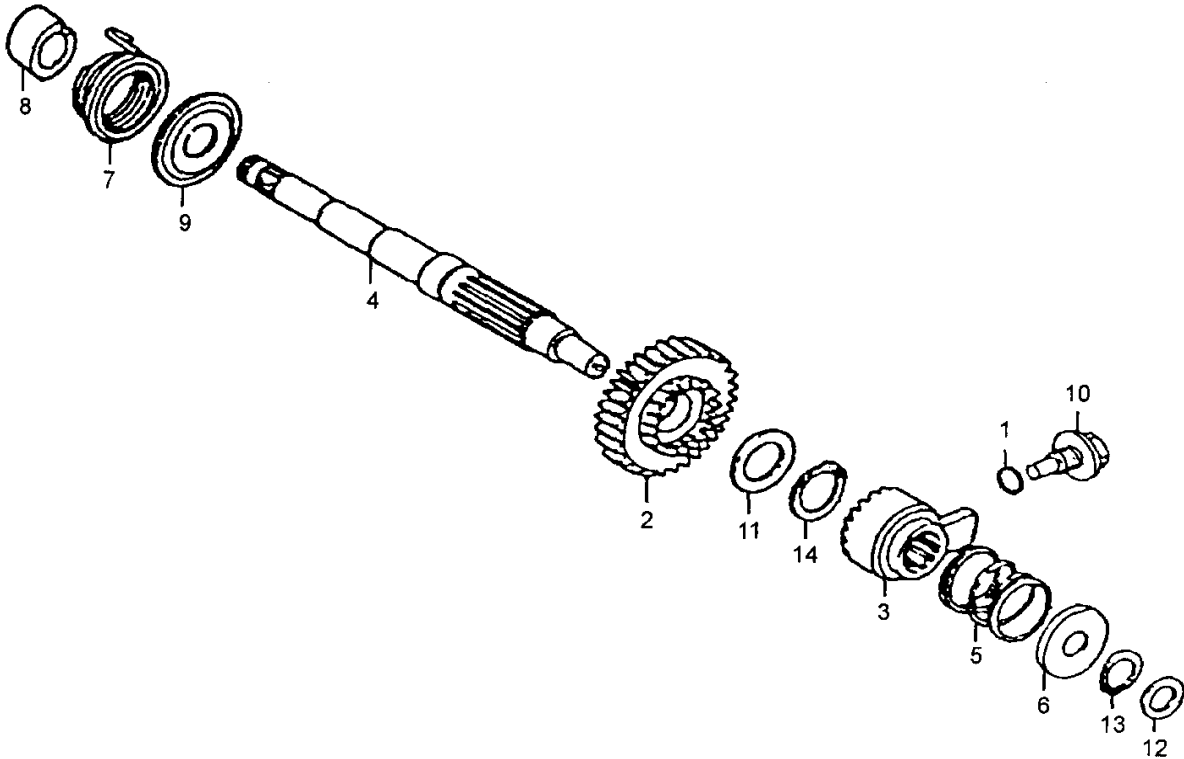
E12 STARTER

REF	PART NUMBER	DESCRIPTION	QTY	2005
12-1	GB3452.1-82	O-RING 11.8 X 2.65	1	1
12-2	I10-07005	GEAR, KICK STARTER	1	1
12-3	I10-07008	RATCHET, KICK STARTER	1	1
12-4	I10-07001	SPINDLE, KICK STARTER	1	1
12-5	I10-07009	SPRING, RACHET	1	1
12-6	I10-07011	CIRCLIP	1	1
12-7	I10-07003	SPRING, KICK STARTER	1	1
12-8	I10-07002	SPRING INNER BUSH	1	1
12-9	I10-07004	RETAINER, KICK STARTER	1	1
12-10	I10-07013	BOLT, HEX	1	1
12-11	I10-07006	THRUST WASHER	1	1
12-12	I10-07012	THRUST WASHER	1	1
12-13	GB894.1-86	CIRCLIP	1	1
12-14	I10-07007	SPRING WASHER	1	1



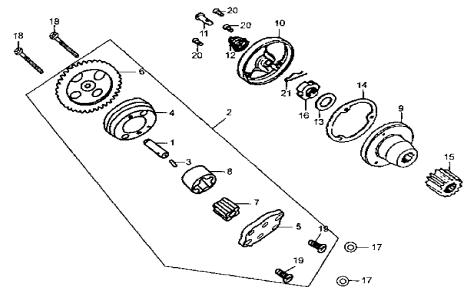
Enlarged figure
Next page

E12 STARTER



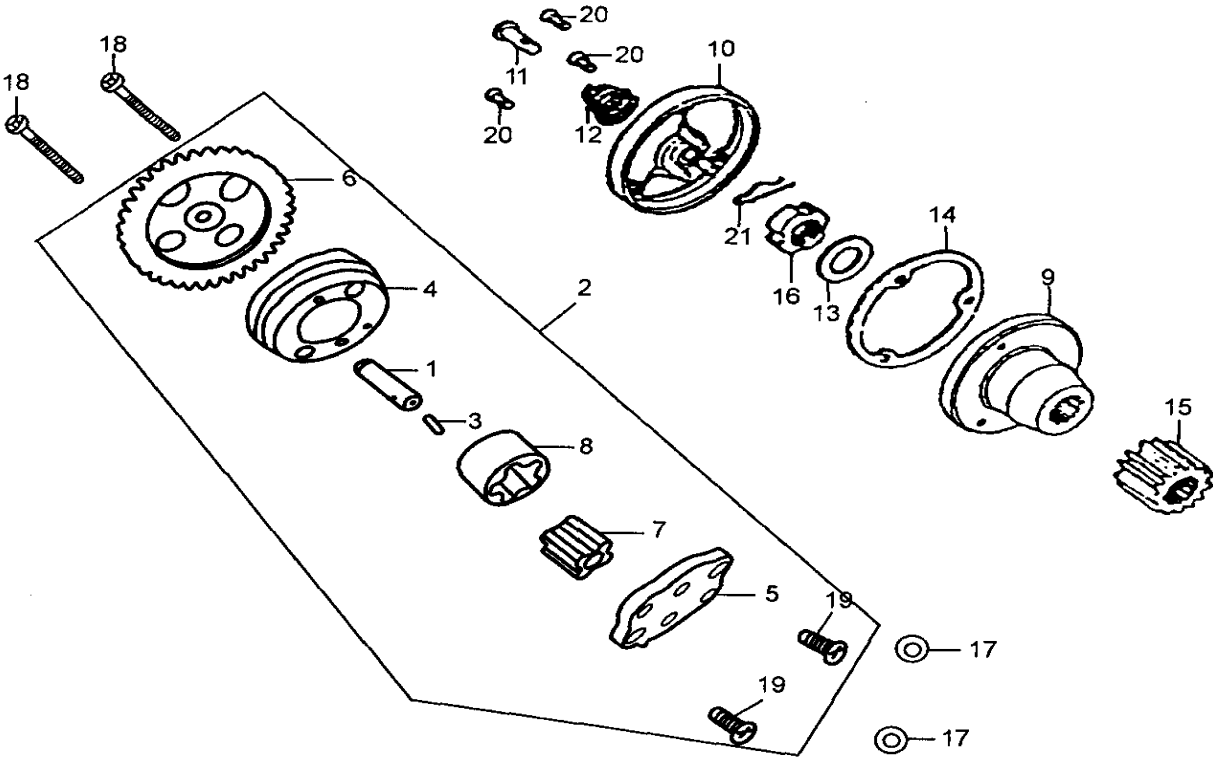
E13 OIL PUMP

REF	PART NUMBER	DESCRIPTION	QTY	2005
13-1	L20-03305	DRIVEHAFT OIL PUMP	1	1
13-2	L20-03300	PUMP ASSY OIL	1	1
13-3	L20-03309	PIN	1	1
13-4	L20-03308	BODY OIL PUMP	1	1
13-5	I10-03302	COVER OIL PUMP	1	1
13-6	L20-03301	GEAR OIL PUMO	1	1
13-7	L20-03304	ROTOR OIL PUMP INNER	1	1
13-8	L20-03306	ROTOR OIL PUMP INNER	1	1
13-9	I10-03410	BODY OIL FILTER	1	1
13-10	I10-03402	GASS OIL	1	1
13-11	I10-03405	COVER OIL FILTER	1	1
13-12	I10-03404	SPRING	1	1
13-13	I10-05003	WASHER FLYING	1	1
13-14	I10-03402	GASKET	1	1
13-15	I10-04001	GEAR	1	1
13-16	I10-05005	NUT	1	1
13-17	GB3452.1	O-RING	2	2
13-18	GB/T819.1	BOLT FLANGE 5 X 20	2	2
13-19	GB/T819.1	SCREW PAN 4 X 12	2	2
13-20	GB/T820-85	SCREW PAN 5 X 12	3	3
13-21	I10-03401	CLIP	1	1



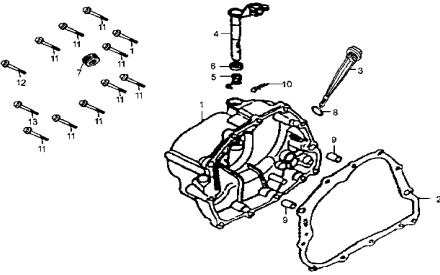
Enlarged figure
Next page

E13 OIL PUMP



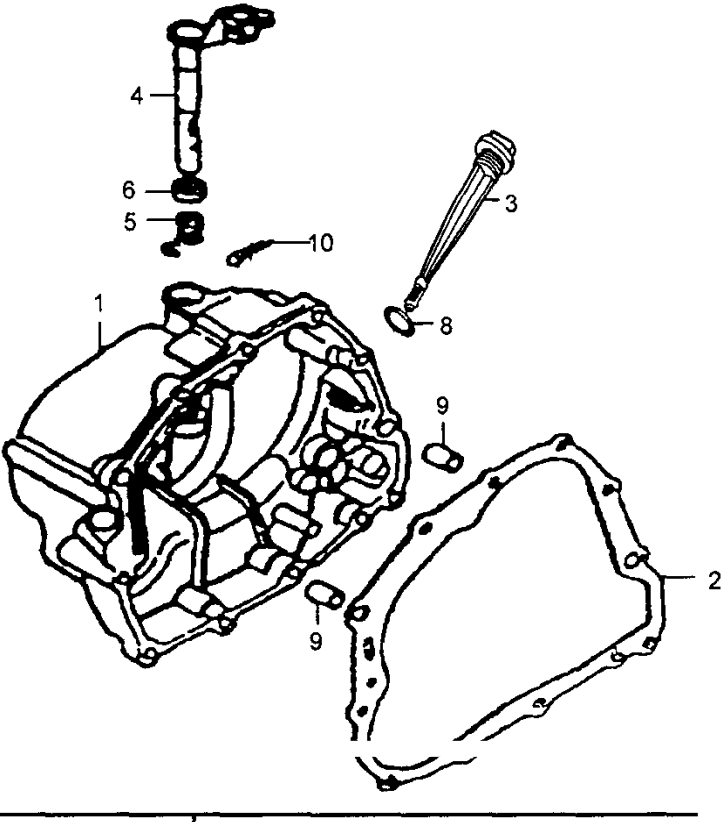
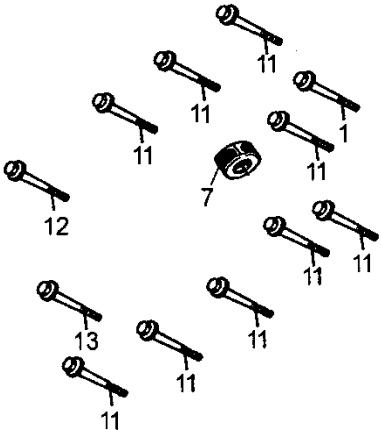
E14 CRANKSHAFT COVER

REF	PART NUMBER	DESCRIPTION	QTY	2005
14-1	I10-06110	COVCER R, CTANKCASE	1	1
14-2	I10-06008	GASKET, R CRANKCASE COVER	1	1
14-3	I10-06103	GAUGE OIL LEVER	1	1
14-4	L20-06144	LEVER COMP CLUTCH	1	1
14-5	I10-06105	SPRING	1	1
14-6	I10-06150	OIL SEAL	1	1
14-7	I10-06130	OIL SEAL	1	1
14-8	I10-06104	O-RING	1	1
14-9	F10-01032	PIN	1	1
14-10	I10-06142	PIN	2	2
14-11	I20-00001	BOLT, SPECIAL FLANGE	9	9
14-12	F10-00006	BOLT, SPECIAL FLANGE	1	1
14-13	F10-00008	BOLT, SPECIAL FLANGE	1	1



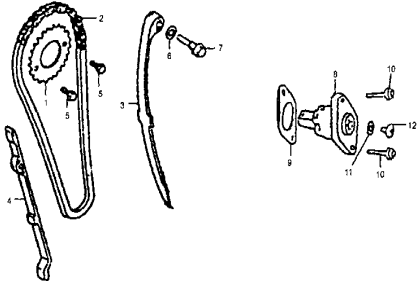
Enlarged figure
Next page

E14 CRANKSHAFT COVER



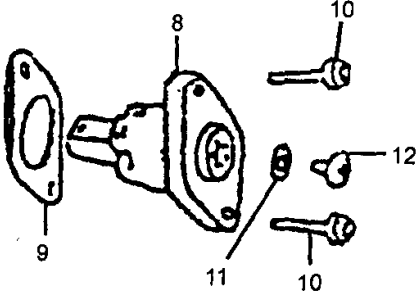
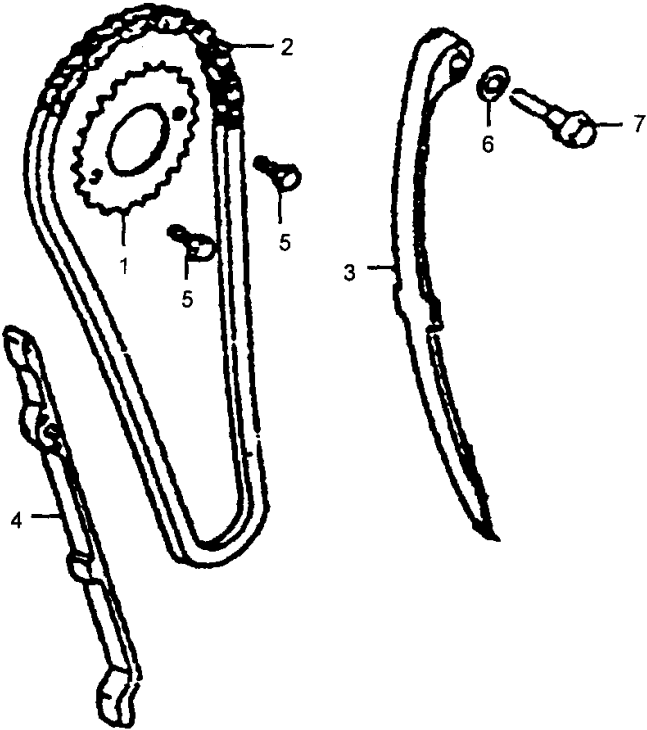
E15 CHAIN, CHAIN TENSIONER

REF	PART NUMBER	DESCRIPTION	QTY	2005
15-1	I10-01018	SPROCKET CAM	1	1
15-2	L20-01070	CHAIN CAM	1	1
15-3	I10-01090	ARM COMP CAM CHAIN TENSIONER	1	1
15-4	L20-01110	PLATE, GUIDE CHAIN	1	1
15-5	GB5783-86	BOLT, HEX 6 X 10	2	2
15-6	I10-01031	WASHER	1	1
15-7	I10-01029	PIN, ARM COMP CAM CHAIN TENSIONER	1	1
15-8	I10-01400	TENSIONER	1	1
15-9	I10-01028	GASKET	1	1
15-10	I10-00005	BOLT, HEX 6 X 10	2	2
15-11	I10-01027	O-RING	1	1
15-12	I10-01401	BOLT	1	1



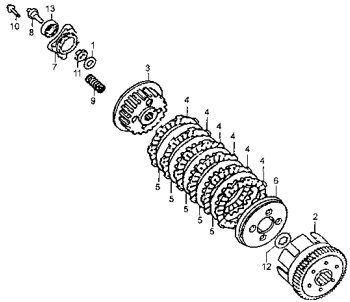
Enlarged figure
Next page

E15 CHAIN, CHAIN TENSIONER



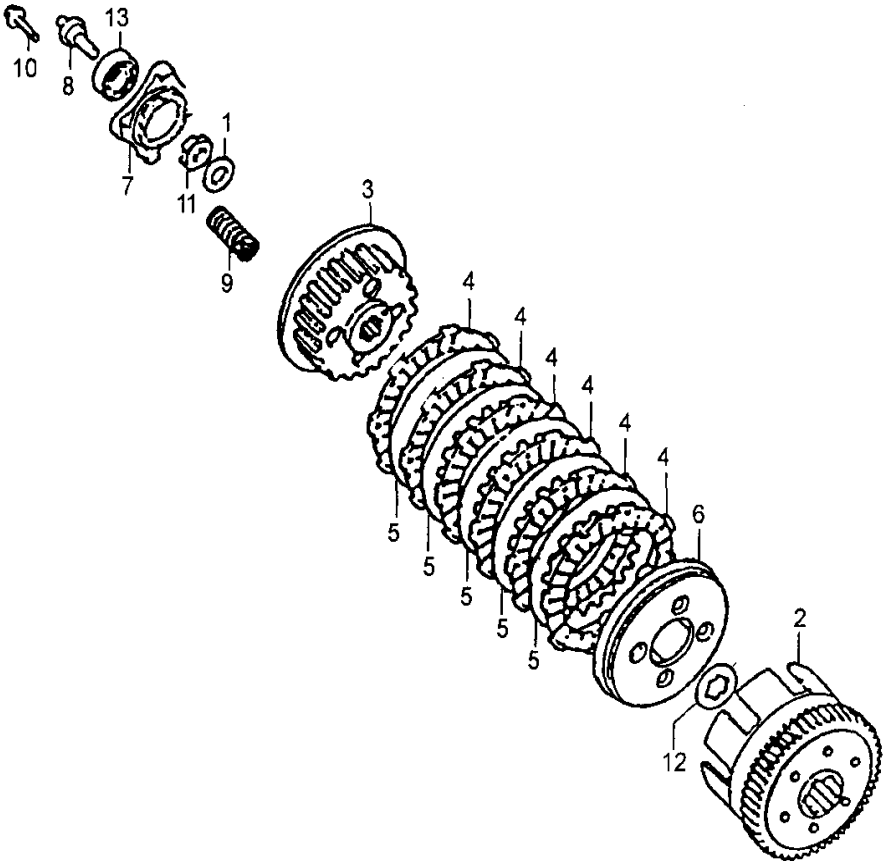
E16 CLUTCH

REF	PART NUMBER	DESCRIPTION	QTY	2005
16-1	I10-05003	FLYING WASHER	1	1
16-2	L20-05010	OUTER COMP CLUTCH	1	1
16-3	L20-05020	CENTER CLUTCH	1	1
16-4	L20-05030	DISK CLUTCH FRICTION	6	6
16-5	L20-05002	PLATE CLUTCH	5	5
16-6	L20-05001	PLATE CLUTCH PRESSURE	1	1
16-7	L20-05006	PLATE CLUTCH LIFTER	1	1
16-8	L20-05007	LEVER CLUTCH	1	1
16-9	L20-05004	SPRING CLUTCH	6	6
16-10	L20-05008	BOLT SPECIAL FLANGE	6	6
16-11	I10-05005	NUT	1	1
16-12	I10-05002	WASHER B SPLINE	1	1
16-13	GB276-82	BEARING	1	1



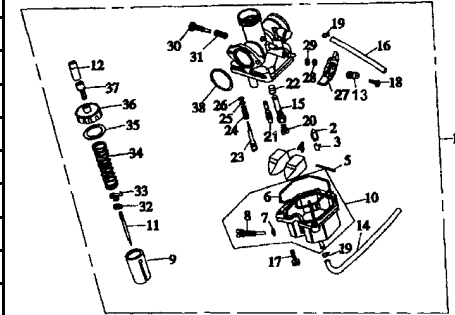
Enlarged figure
Next page

E16 CLUTCH



F01 CARBURETOR ASSY

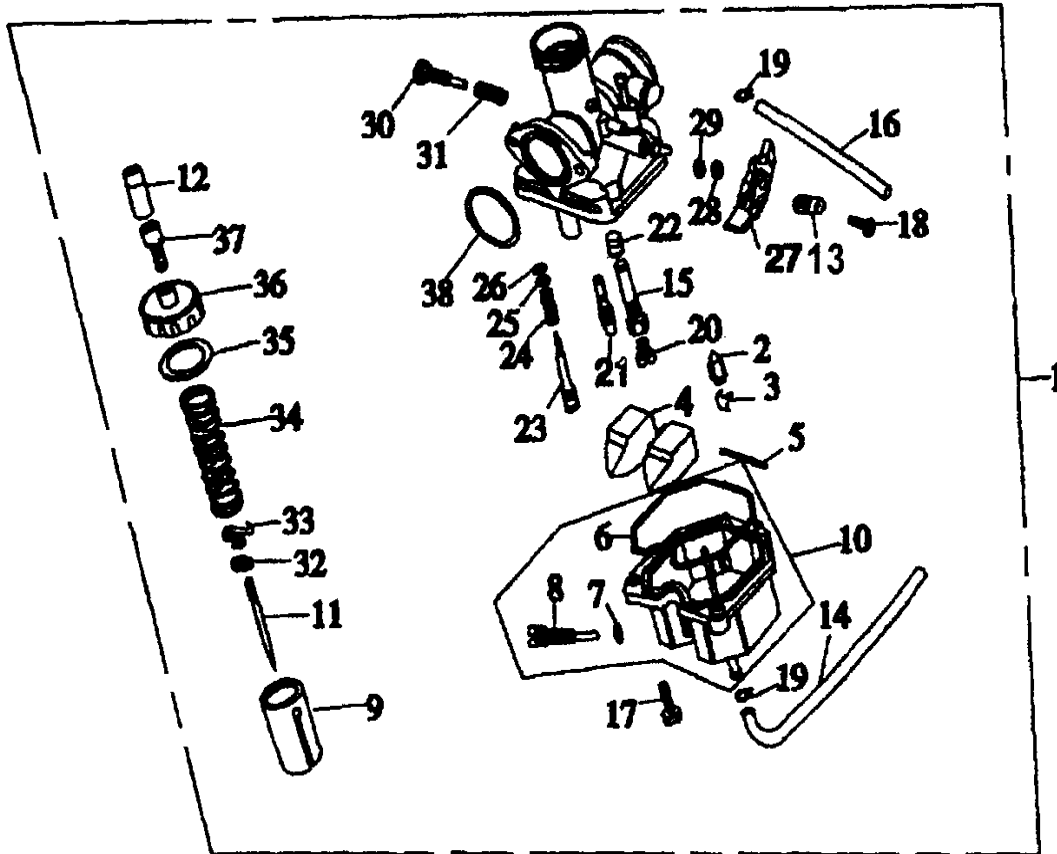
REF	PART NUMBER	DESCRIPTION	QTY	2005
1-1	113100-0290010	CARBURETOR BODY	1	1
1-2		NEEDLE VALVE	1	1
1-3		HOOK, NEEDLE VALVE	1	1
1-4		FLOAT COMP	1	1
1-5		FLOAT PIN	1	1
1-6		GASKET FLOAT CHAMBER	1	1
1-7		O-RING	1	1
1-8		DRAIN SCREW	1	1
1-9		CHOKE	1	1
1-10		BODY FLOAT CHAMBER	1	1
1-11		OIL SEAL	1	1
1-12		DUST CAP	1	1
1-13		LOCATING PLATE	1	1
1-14		OVERFLOW TUBE	1	1
1-15		JET NEEDLE	1	1
1-16		OUTLET PIPE	1	1
1-17		SCREW	3	3
1-18		SCREW	1	1
1-19		CLIP	2	2
1-20		PILOT AIR	1	1
1-21		PIPE	1	1
1-22		OIL INJECTION	1	1
1-23		ADJUSTING SCREW, IDLING SPEED	1	1
1-24		ADJUSTING SPRING, IDLING SPEED	1	1
1-25		WASHER	1	1
1-26		OIL SEAL RING	1	1
1-27		HANDLE	1	1
1-28		COVER	1	1
1-29		WASHER	1	1
1-30		SCREW	1	1
1-31		SPRING, ADJUSTING	1	1
1-32		ADJUSTING RING, OIL NEEDLE	1	1
1-33		CLIP	1	1



Enlarged figure
Next page

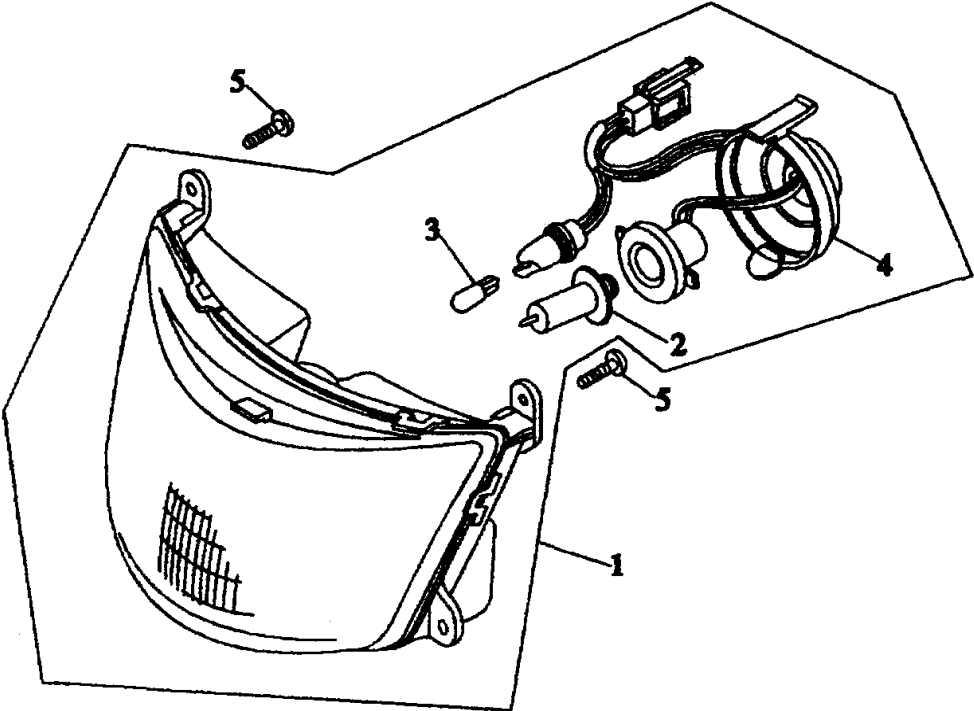
F01 CARBURETOR ASSY

1-34		SPRING, RETURN	1	1
1-35		SEAL RING	1	1
1-36		TOP	1	1
1-37		ADJUSTING BOLT	1	1
1-38		RUBBER SEAL RING	1	1



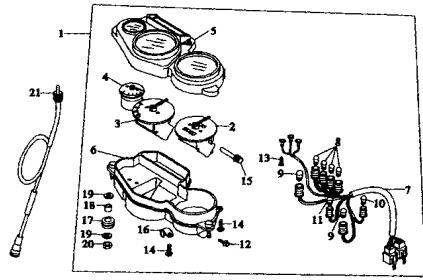
F02 HEADLIGHT ASSY

REF	PART NUMBER	DESCRIPTION	QTY	2005
2-1	314000-0320020	HEADLIGHT ASSY	1	1
2-2	314002-0310020	BULB, HEADLIGHT	1	1
2-3	314003-0310010	BULB, HEADLIGHT position	1	1
2-4		SOCKET CORD ASSY	1	1
2-5		SCREW	4	4



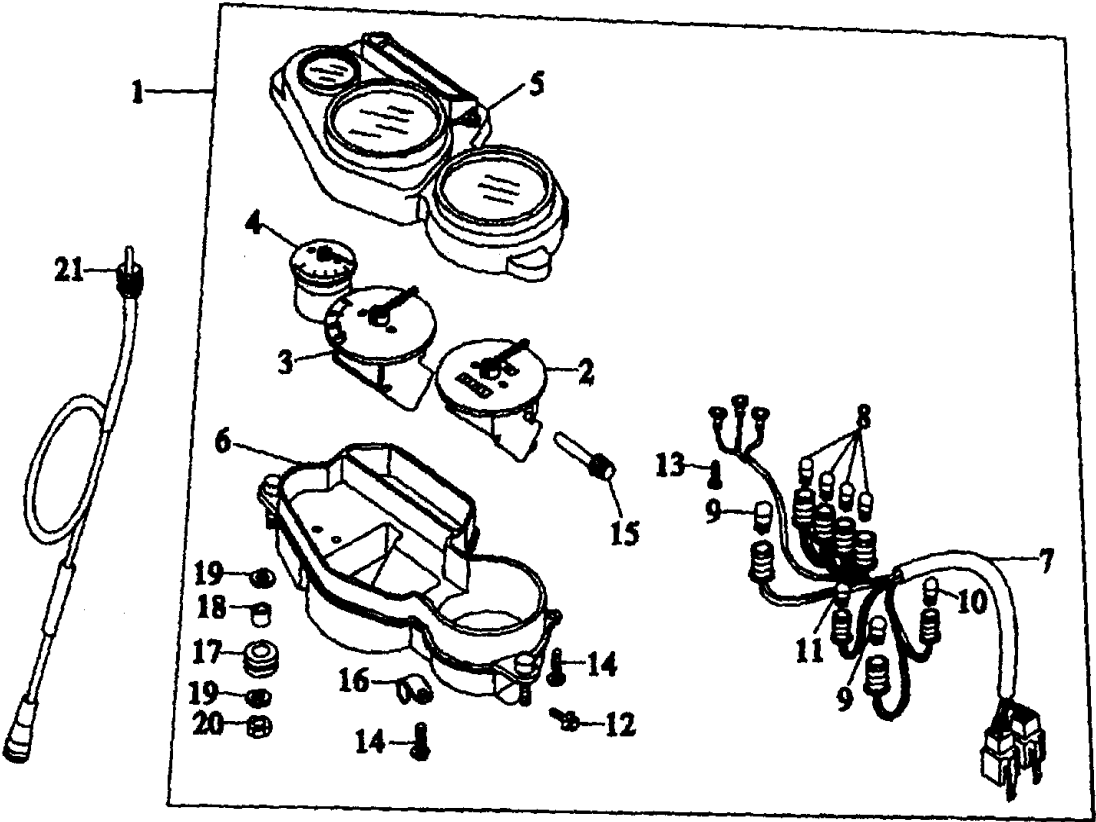
F03 METER ASSY

REF	PART NUMBER	DESCRIPTION	QTY	2005
3-1	323000-0300010	METER ASSY	1	1
3-2		SPEEDOMETER ASSY	1	1
3-3		TACHOMETER ASSY	1	1
3-4		FUEL METER ASSY	1	1
3-5		COVER, METER	1	1
3-6		CASE, UNDER	1	1
3-7		SOCKET CORD ASSY	1	1
3-8		BULB (12V-3.4W T10)	1	1
3-9		BULB (12V-1.7W T10)	1	1
3-10		BULB (12V-1.7W T6)	1	1
3-11		BULB (12V-3W)	1	1
3-12		SCREW	1	1
3-13		SCREW	1	1
3-14		SCREW	1	1
3-15		ODOMETER RESET HANDGRIP	1	1
3-16		CLAMP	1	1
3-17		METER BRACKET WASHER	1	1
3-18		METER BUSHING	2	2
3-19		WASHER	1	1
3-20		NUT	1	1
3-21	622000-0460010	SPEEDOMETER CABLE	1	1



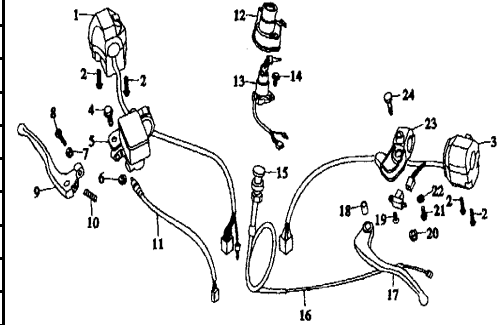
Enlarged figure
Next page

F03 METER ASSY



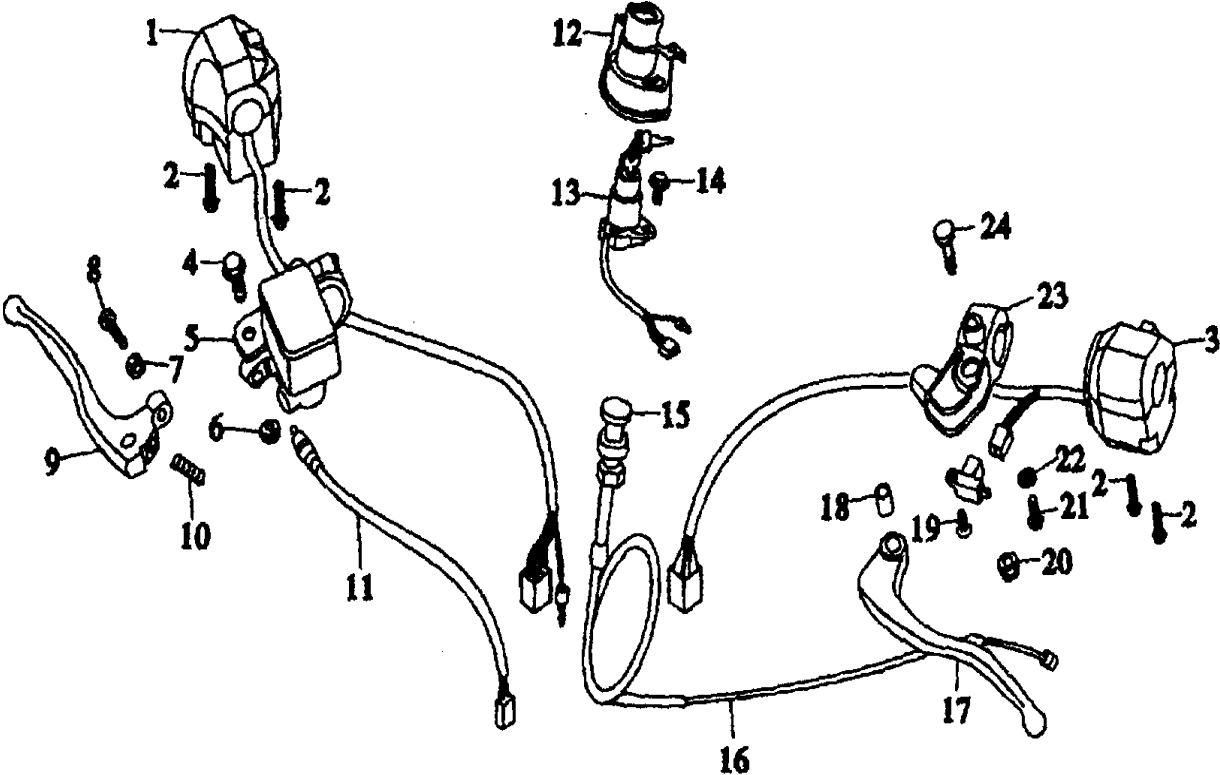
F04 HANDLE BAR/SWITCH

REF	PART NUMBER	DESCRIPTION	QTY	2005
4-1	324300-0170120	SWITCH HANDLE RIGHT	1	1
4-2		SCREW	4	4
4-3	324200-0170120	SWITCH, HANDLE LEFT	1	1
4-4		BOLT	1	1
4-5		UPPER PUMP, DISC BRAKE	1	1
4-6		NUT	1	1
4-7		NUT HEX	1	1
4-8		SCREW	1	1
4-9		HANDLE, FRONT BRAKE	1	1
4-10		SPRING, COMPRESSION	1	1
4-11		SWITCH CABLE, FRONT BRAKE	1	1
4-12	324171-0100010	COVER, IGNITION SWITCH	1	1
4-13		LOCK, IGNITION SWITCH	1	1
4-14		BOLT	2	2
4-15		CHOKE SWITCH	1	1
4-16	608000-0350010	CHOKE CABLE	1	1
4-17	603000-0180120	L. LEVER	1	1
4-18		COLLAR	1	1
4-19		SCREW	1	1
4-20		NUT	1	1
4-21		BOLT	1	1
4-22		WASHER	1	1
4-23		HOLDER, L. LEVER	1	1
4-24		BOLT	1	1



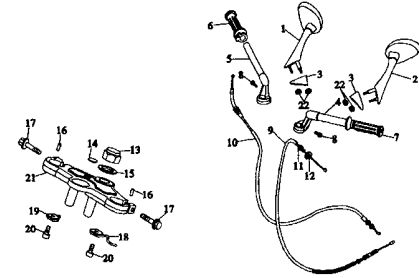
Enlarged figure
Next page

F04 HANDLE BAR/SWITCH



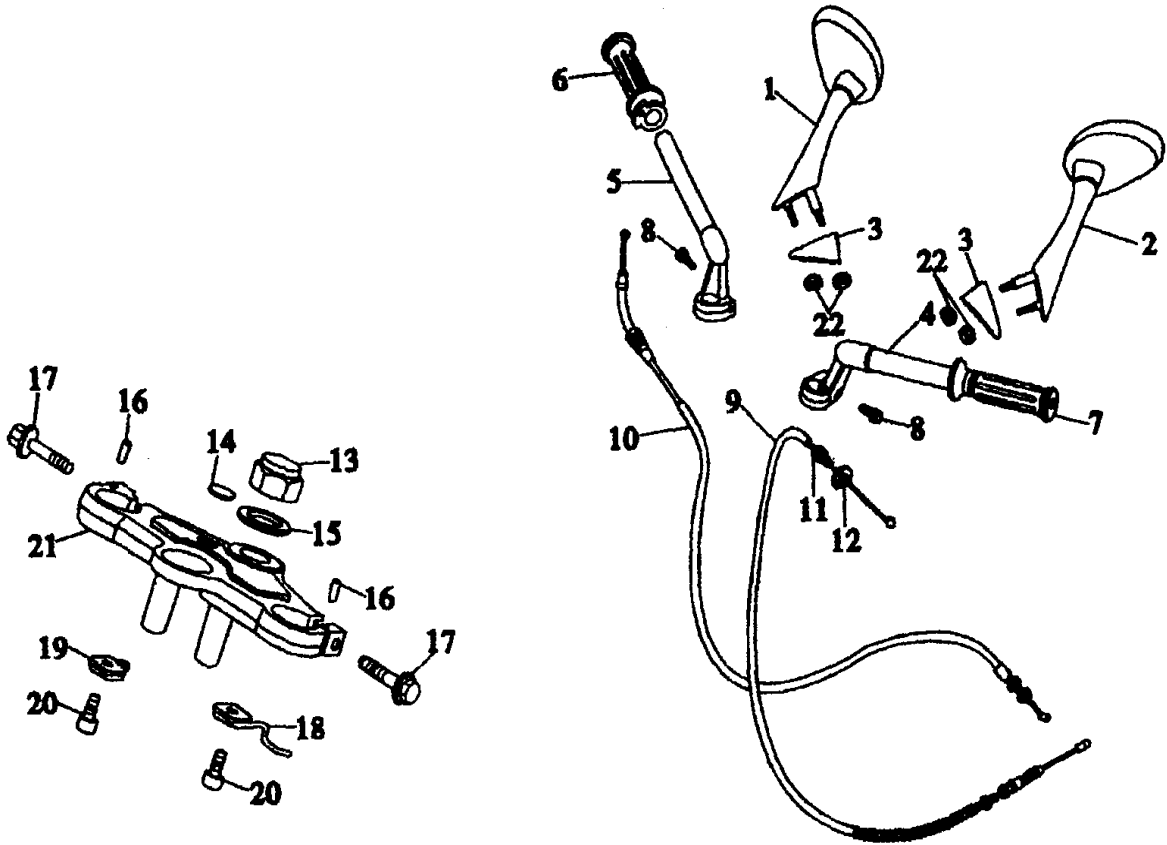
F05 HANDLE BAR

REF	PART NUMBER	DESCRIPTION	QTY	2005
5-1	902100-1460010	REAR VIEW MIRROR, RIGHT	1	1
5-2	902200-1460010	REAR VIEW MIRROR LEFT	1	1
5-3		JOINT PLATE, REAR VIEW MIRROR	2	2
5-4	601002-0822460	HANDLE, LEFT	1	1
5-5	601003-0822460	HANDLE, RIGHT	1	1
5-6	602200-0190010	GREASER (RIGHT HANDLE)	1	1
5-7		LEFT HANDLE	1	1
5-8		BOLT	2	2
5-9	606000-0600010	CABLE, CLUTCH	1	1
5-10	607000-0580010	CABLE, THROTTLE	1	1
5-11	GB/T16674-1996	ADJUSTING BOLT	1	1
5-12		NUT	1	1
5-13		NUT, CAP	1	1
5-14		MARKER	1	1
5-15		WASHER	1	1
5-16		PIN	2	2
5-17		BOLT	2	2
5-18		FRAME, CABLE	1	1
5-19		FRAME	1	1
5-20		BOLT	2	2
5-21		UPPER PANEL COMP	1	1
5-22		NUT	4	4



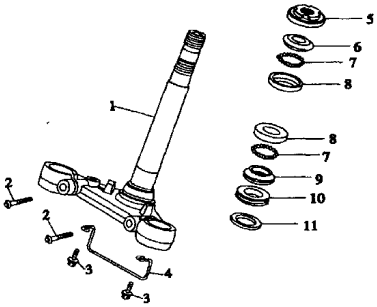
Enlarged figure
Next page

F05 HANDLE BAR



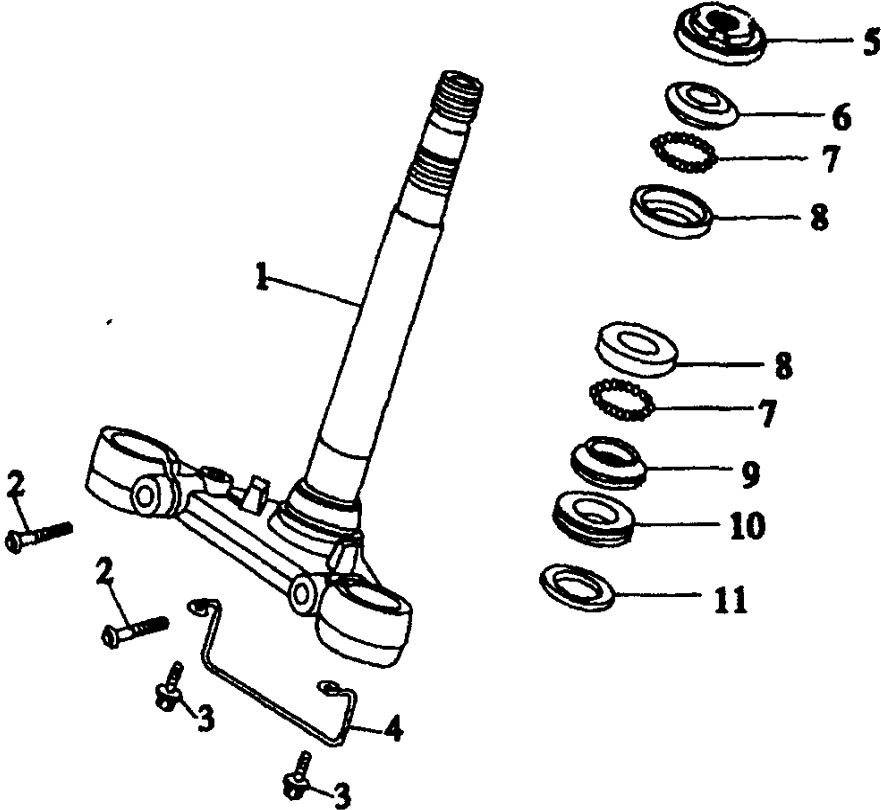
F06 STEERING STEM

REF	PART NUMBER	DESCRIPTION	QTY	2005
6-1	611000-0452450	STEERING STEM	1	1
6-2		BOLT	2	2
6-3		BOLT	2	2
6-4		CLIP	1	1
6-5	611009-0090060	ADJUSTING NUT	1	1
6-6	611300-0060010	BEARING	1	1
6-7		STEER BALLS, BEARING	2	2
6-8		WASHER, BEARING	2	2
6-9		BEARING	1	1
6-10	611007-0050020	DUST CAP	1	1
6-11		WASHER	1	1



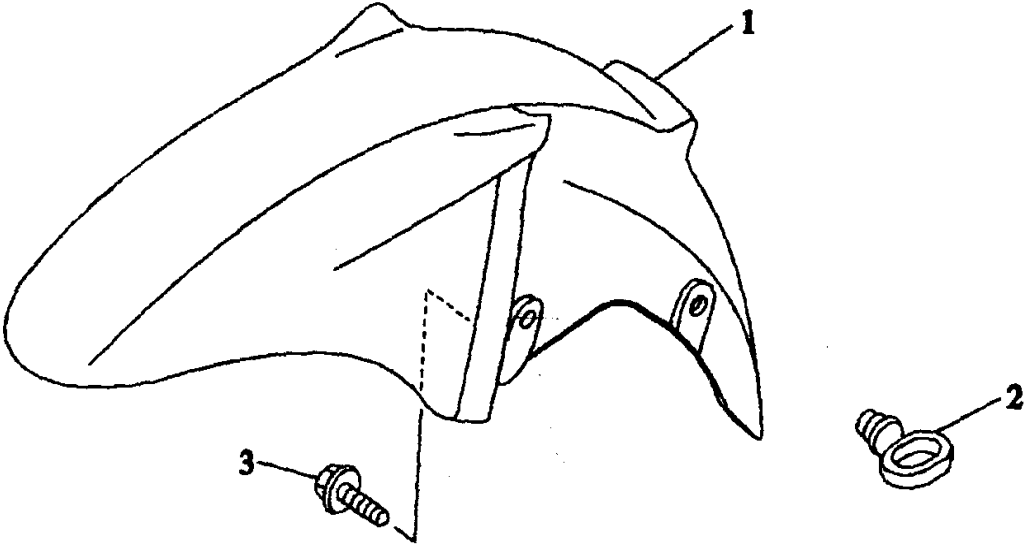
Enlarged figure
Next page

F06 STEERING STEM



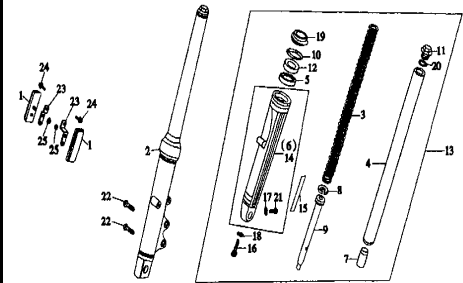
F07 FRONT FENDER

REF	PART NUMBER	DESCRIPTION	QTY	2005
7-1	8061002540010RD	FRONT FENDER RED	1	1
	8061002540010GR	FRONT FENDER GREEN	1	1
	8061002540010YW	FRONT FENDER YELLOW	1	1
	8061002540010RC	FRONT FENDER RC1	1	1
7-2		RING, CABLE	1	1
7-3		BOLT	4	4



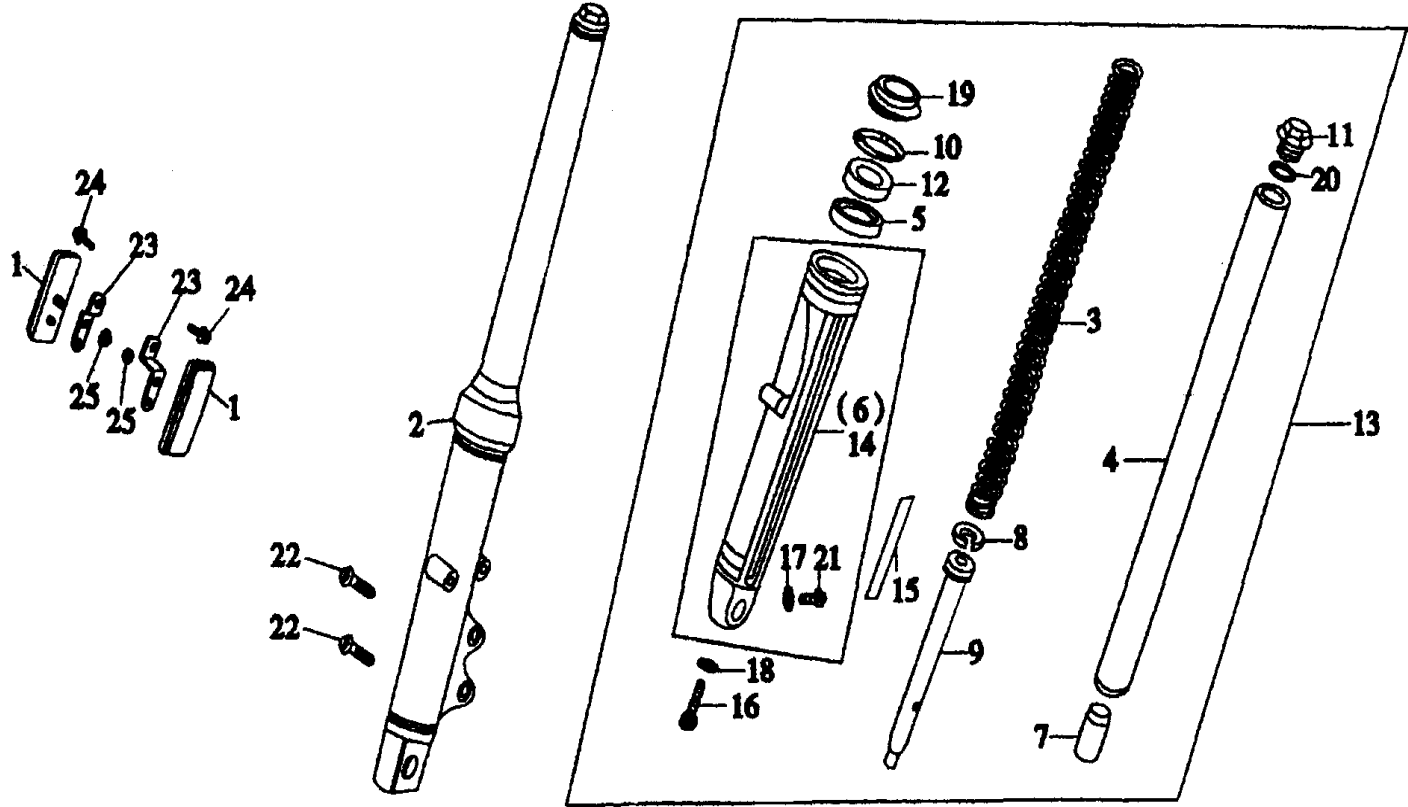
F08 FRONT FORK

REF	PART NUMBER	DESCRIPTION	QTY	2005
8-1	310000-0250010	REFLECTOR	2	2
8-2	505200-0632960	FRONT RIGHT SHOCK ABSORBER	1	1
8-3	505109-5020010	SPRING, SHOCK ABSORBER	2	2
8-4	505113-5020230	PIPE, FRONT ABSORBER	2	2
8-5		SPACER	2	2
8-6	505201-5021020	COVER, OUTER	1	1
8-7		HOLDER	2	2
8-8		RING, PISTON	2	2
8-9		PISTON PIPE	2	2
8-10		SPRING CIRCLIP	2	2
8-11		DUST PROOG CAP	1	1
8-12	505104-5020010	OIL SEAL	2	2
8-13	505100-0632960	FRONT LEFT SHOCK ABSORBER	1	1
8-14	505101-5022960	COVER, OUTER	1	1
8-15		STICKER	2	2
8-16		SCREW, M8 X 35	2	2
8-17		SPACER	2	2
8-18		SPACER	2	2
8-19		DUST PROOF RING	2	2
8-20		SEAL RING	2	2
8-21		BOLT M6 X 8	2	2
8-22		BOLT M8 X 30	2	2
8-23	310071-0080100	HOLDER, REFLECTOR	2	2
8-24		BOLT	2	2
8-25		NUT	2	2



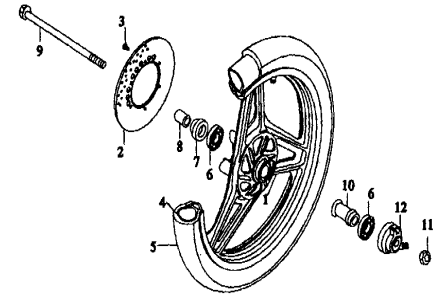
Enlarged figure
Next page

F08 FRONT FORK



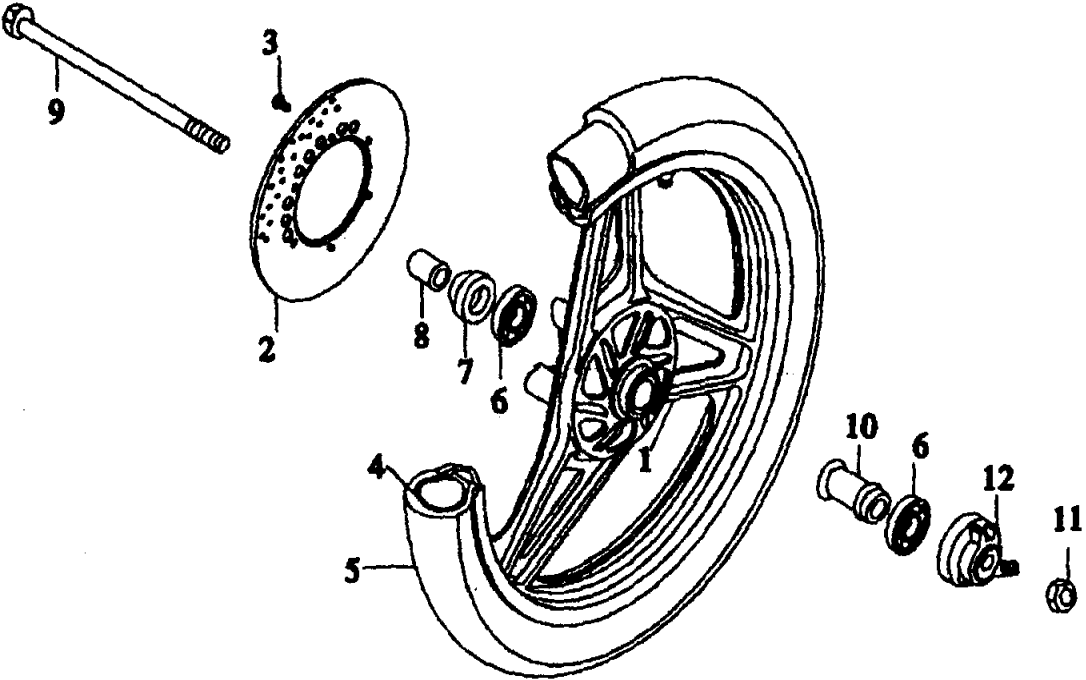
F09 FRONT WHEEL

REF	PART NUMBER	DESCRIPTION	QTY	2005
9-1	401000-5020520	FRONT CAST WHEEL	1	1
9-2		DISK BRAKE	1	1
9-3		BOLT	6	6
9-4	402100-520010	FRONT TUBE	1	1
9-5	402001-5020010	FRONT TIRE	1	1
9-6		BEARING, FRONT WHEEL	2	2
9-7		OIL SEAQL, FRONT WHEEL AXLE	1	1
9-8		SLEEVE, AXLE	1	1
9-9	912101-5020060	AXLE, FRONT WHEEL	1	1
9-10		BUSHING BEARING	1	1
9-11		NUT M12 X 1.25	1	1
9-12	410000-0070520	SPEED COUNTER	1	1



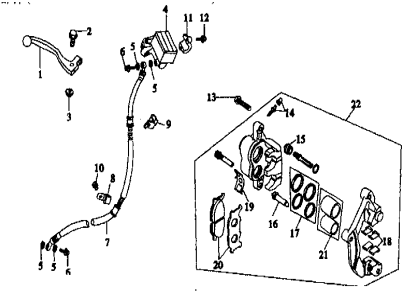
Enlarged figure
Next page

F09 FRONT WHEEL



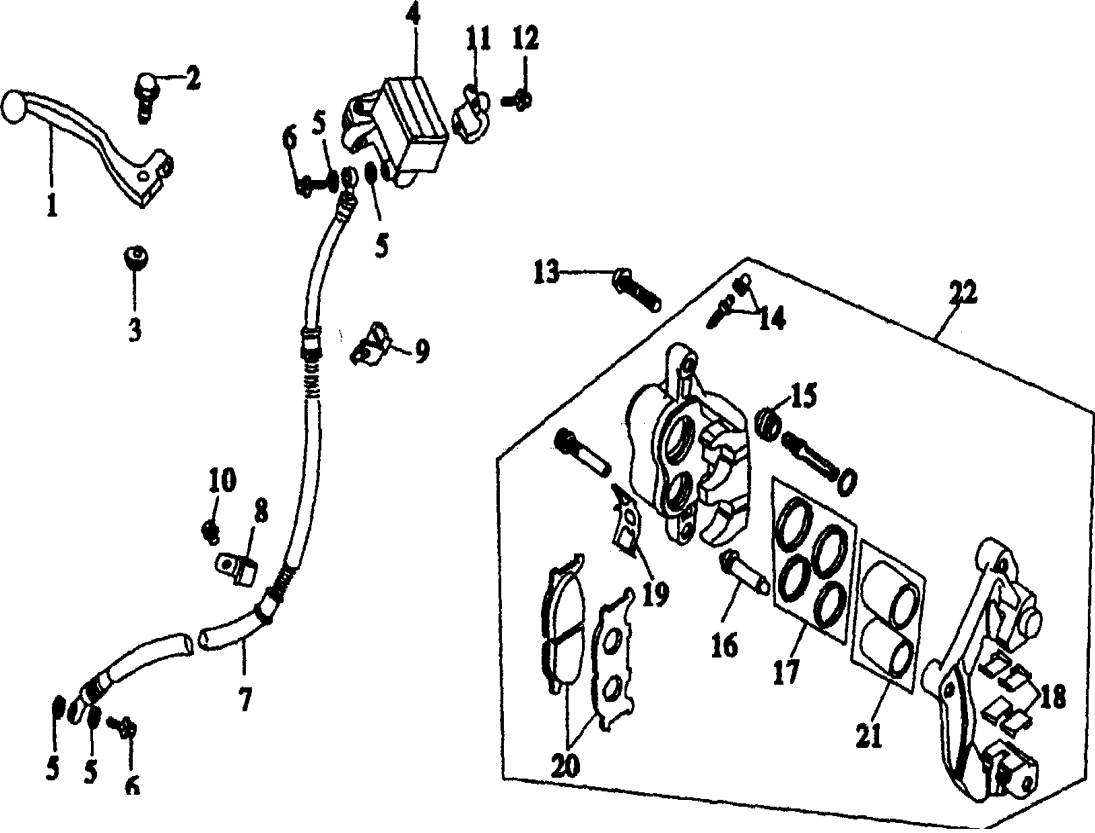
F10 FRONT HYDRAULIC DISC BRAKE

REF	PART NUMBER	DESCRIPTION	QTY	2005
10-1		HANDLE FRONT BRAKE	1	1
10-2		BOLT, HANDLE	1	1
10-3		NUT M6	1	1
10-4		UPPER PUMP, PLATE BRAKE	1	1
10-5		WASHER	4	4
10-6		BOLT	2	2
10-7		OIL PIPE, PLATE BRAKE	1	1
10-8		CLIP	1	1
10-9		CLIP	1	1
10-10		BOLT	1	1
10-11		MOUNTING BRACKET	1	1
10-12		BOLT	4	4
10-13		BOLT	2	2
10-14		BOLT STEM	1	1
10-15		COVER	1	1
10-16		COVER	1	1
10-17		SEAL RING, DOWN PUMP	4	4
10-18		HOLDER BUMPER	4	4
10-19		SPRING, NOISE PROOF	1	1
10-20		BRAKE PAD KIT	1	1
10-21		SLEEVE	2	2
10-22		DOWN PUMP, PLATE BRAKE	1	1



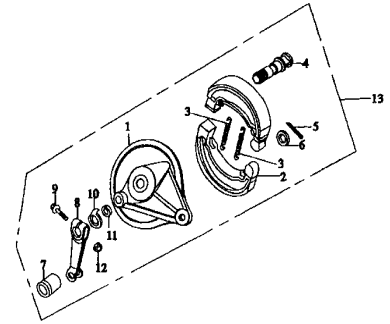
Enlarged figure
Next page

F10 FRONT HYDRAULIC DISC BRAKE



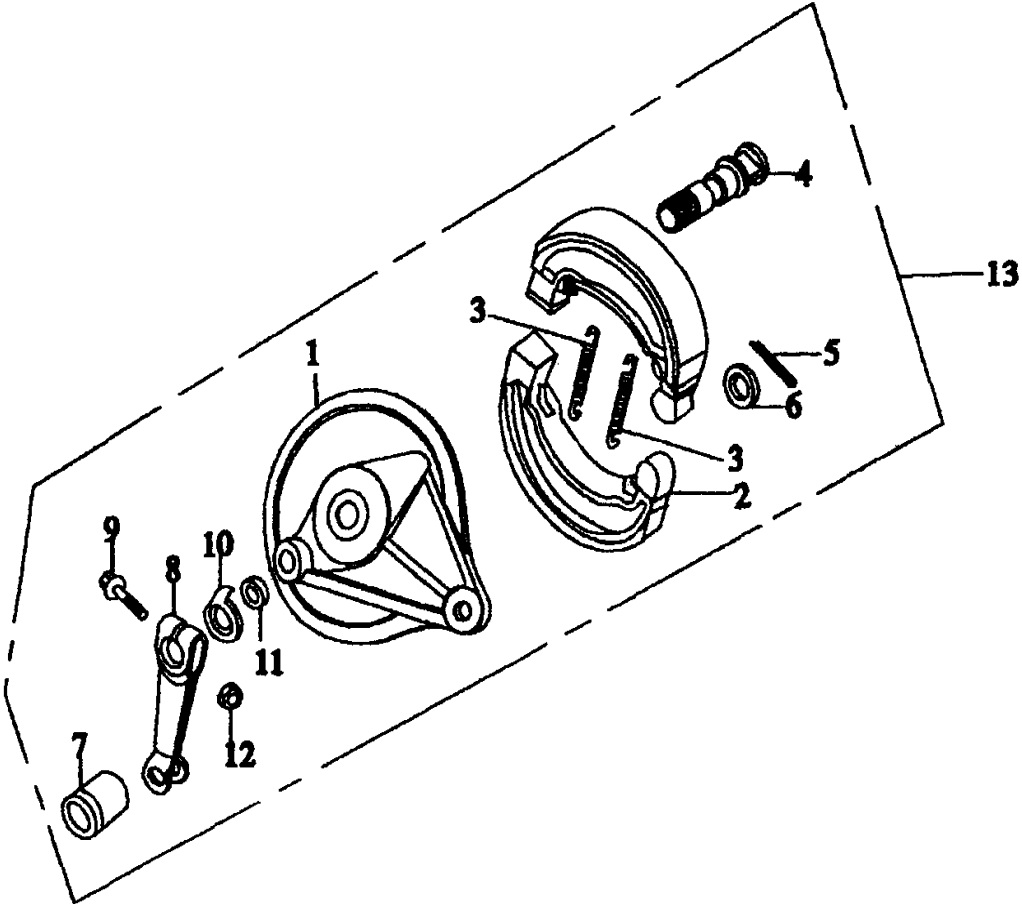
F11 REAR BRAKE

REF	PART NUMBER	DESCRIPTION	QTY	2005
11-1		PLATE, REAR BRAKE	1	1
11-2		BRAKE SHOE KIT	2	2
11-3	408272-0110060	SPRING, REAR BRAKE	2	2
11-4		CAM, REAR BRAKE	1	1
11-5		PIN 2 X 20	1	1
11-6		WASHER	1	1
11-7		COLLAR	1	1
11-8		LEVER, CAMSHAFT M6 X 35	1	1
11-9		BOLT	1	1
11-10		PLATE, INDICATOR	1	1
11-11		SEAL RING	1	1
11-12		NUT	1	1
11-13	407000-0280520	REAR BRAKE ASSY	1	1



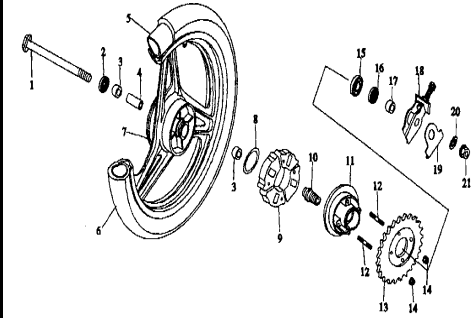
Enlarged figure
Next page

F11 REAR BRAKE



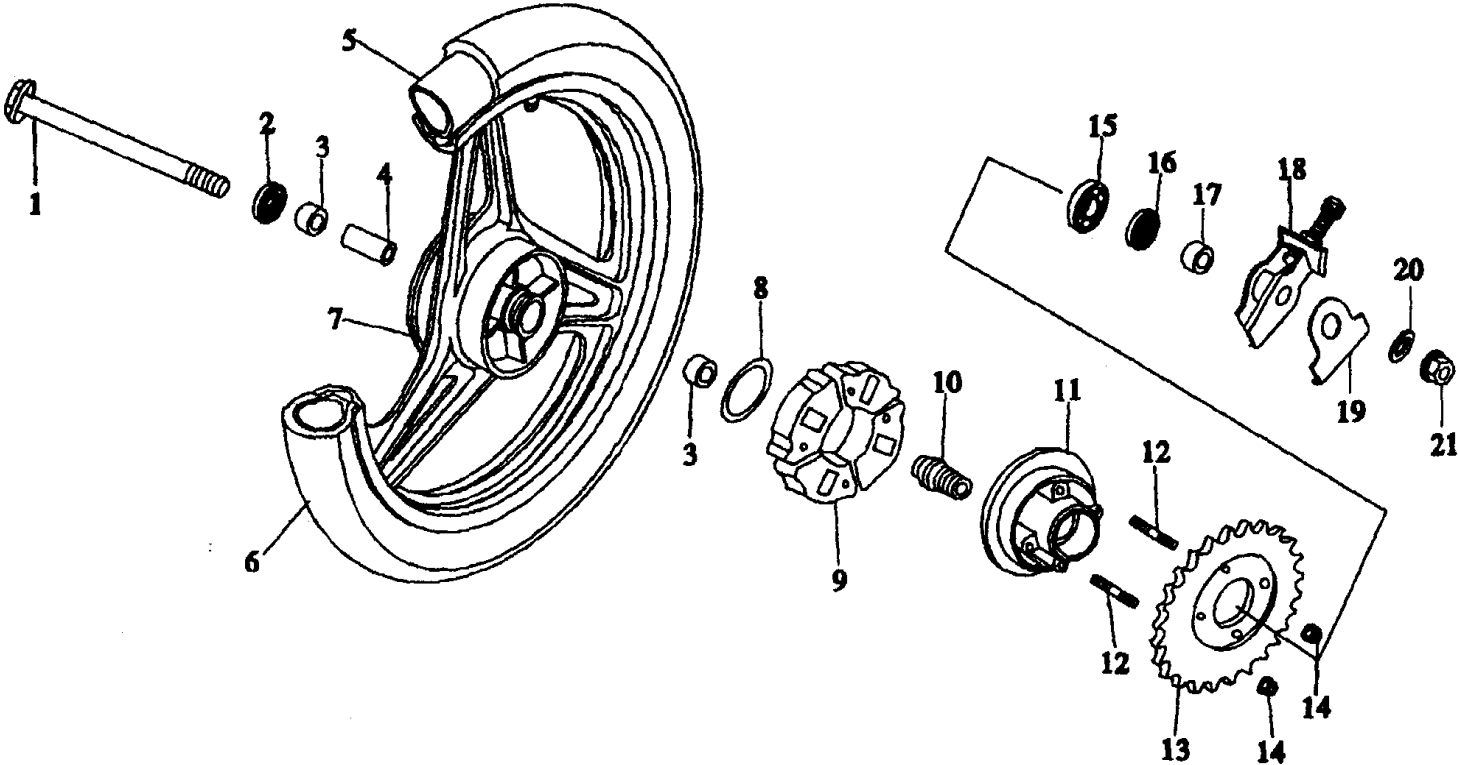
F12 REAR WHEEL

REF	PART NUMBER	DESCRIPTION	QTY	2005
12-1	912102-0150060	AXLE, REAR WHEEL	1	1
12-2		OIL SEAL	1	1
12-3		COLLAR	2	2
12-4		COLLAR	1	1
12-5	404100-5020010	TUBE, REAR	1	1
12-6	404001-5020010	TIRE, REAR	1	1
12-7	403000	REAR CAST WHEEL	1	1
12-8		O-RING	1	1
12-9		RUBBER DAMPER	1	1
12-10		COLLAR	1	1
12-11	405000-0480060	SPROCKET BRACKET	1	1
12-12		BOLT, STUD	4	4
12-13		SPROCKET	1	1
12-14		NUT	4	4
12-15		BEARING	1	1
12-16		OIL SEAL	1	1
12-17		COLLAR	1	1
12-18	508200-0320060	PULLER, CHAIN	1	1
12-19		BAFFLE	1	1
12-20		WASHER	1	1
12-21		NUT, U	1	1



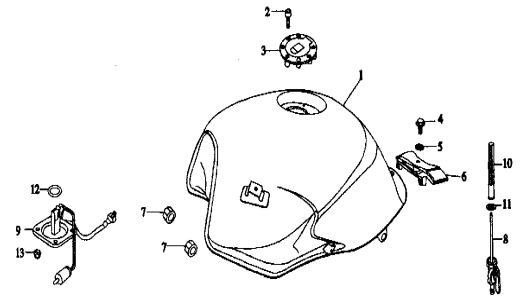
Enlarged figure
Next page

F12 REAR WHEEL



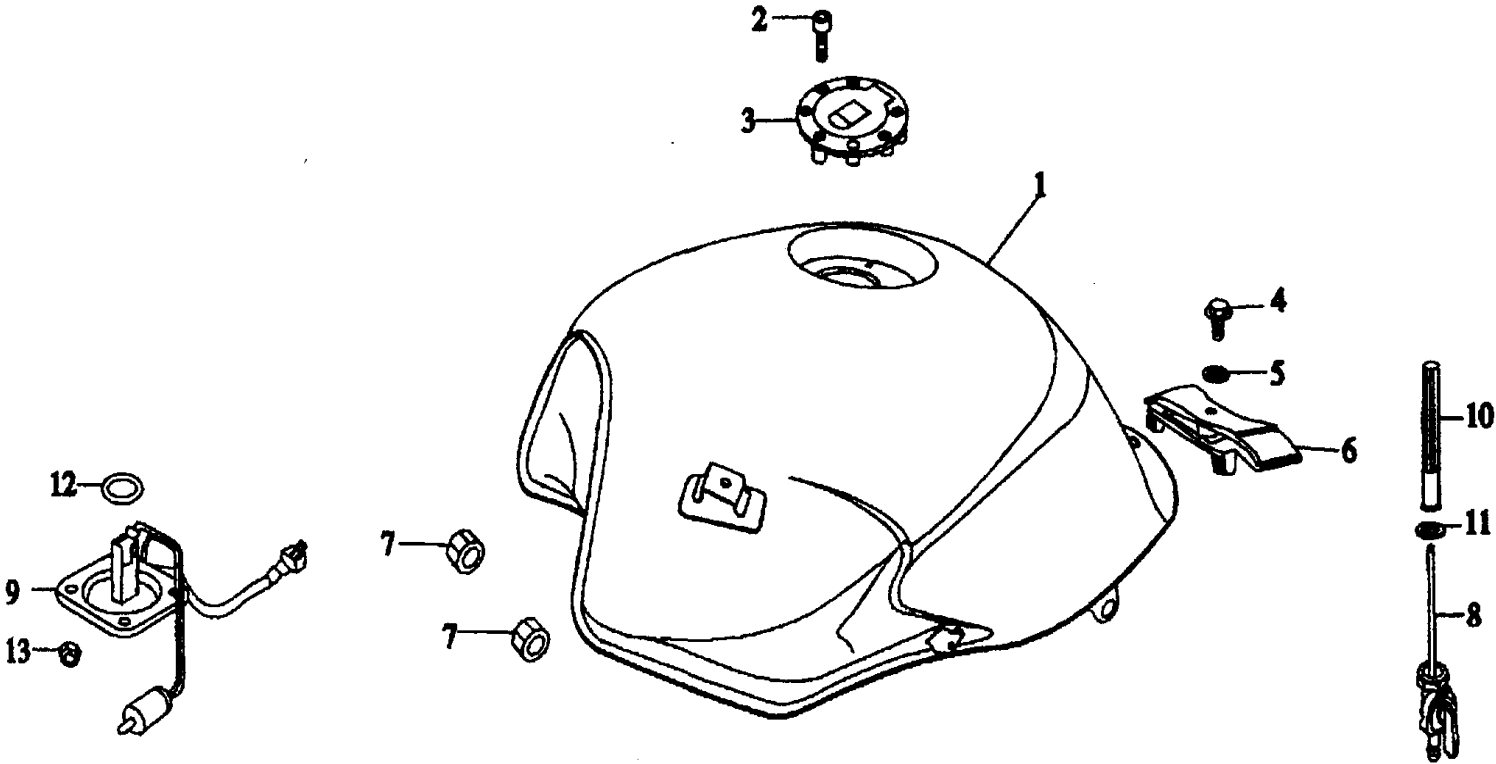
F13 FUEL TANK/FUEL LEVER SENSOR

REF	PART NUMBER	DESCRIPTION	QTY	2005
13-1	801000-0360180	FUEL TANK	1	1
13-2		BOLT, HEX	8	8
13-3		COVER, FUEL TANK	1	1
13-4		BOLT	1	1
13-5		WASHER	1	1
13-6		DAMPER, LOCATING	1	1
13-7		DAMPER	2	2
13-8	803000-0010060	FUEL LOCK	1	1
13-9	323500-0140070	FUEL LEVER SENSOR	1	1
13-10		FILTER NET	1	1
13-11		WASHER	1	1
13-12		O-RING	1	1
13-13		NUT	1	1



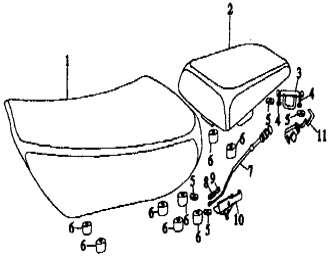
Enlarged figure
Next page

F13 FUEL TANK/FUEL LEVER SENSOR



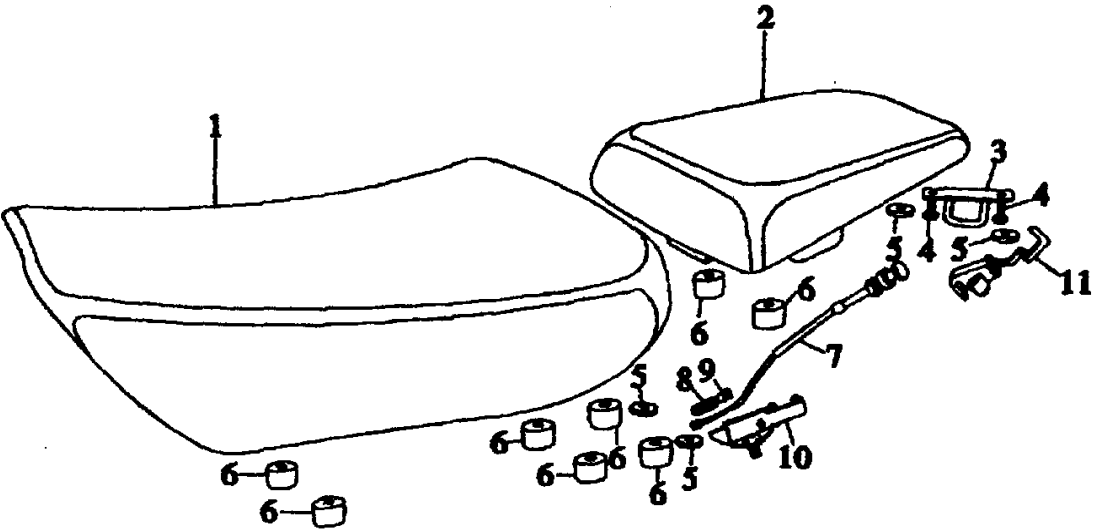
F14 SEAT

REF	PART NUMBER	DESCRIPTION	QTY	2005
14-1	701100-1322460	FRONT CUSHION	1	1
14-2	701200-1322460	REAR CUSHION	1	1
14-3		BRACKET, SEAT	1	1
14-4		BOLT	2	2
14-5		PAD, SEAT	4	4
14-6		RUBBER SLEEVE	8	8
14-7	609000-0130010	CABLE, SEAT	1	1
14-8		SPRING	1	1
14-9		PANEL	1	1
14-10		FIXING BRACKET	1	1
14-11	502000-3150010	LOCK, REAR SEAT	1	1



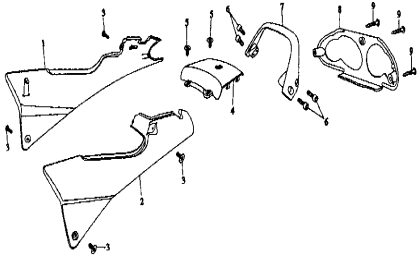
Enlarged figure
Next page

F14 SEAT



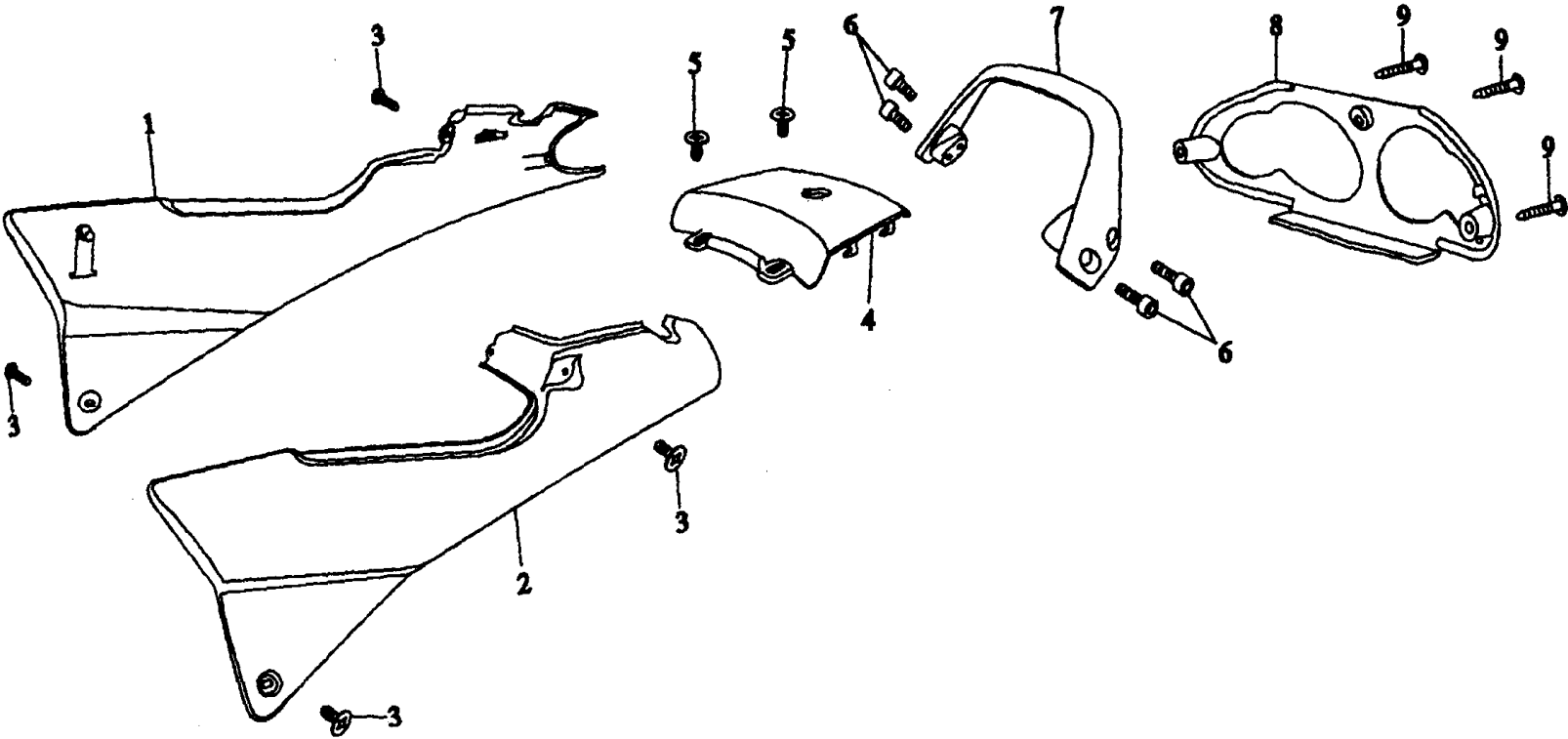
F15 SIDE REAR COVER

REF	PART NUMBER	DESCRIPTION	QTY	2005
15-1	808200-2520010	RIGHT SIDE COVER	1	1
15-2	808100-2520010	LEFT SIDE COVER	1	1
15-3		SCREW	4	4
15-4	816400-2510010	REAR COVER	1	1
15-5		SCREW	2	2
15-6		BOLT, HEX	4	4
15-7	706000-0091020	REAR ARM REST	1	1
15-8	708000-2510010	REAR COVER	1	1
15-9		SCREW	3	3



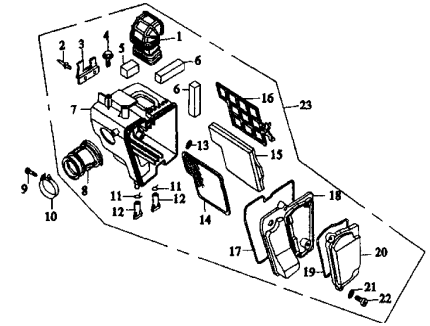
Enlarged figure
Next page

F15 SIDE REAR COVER



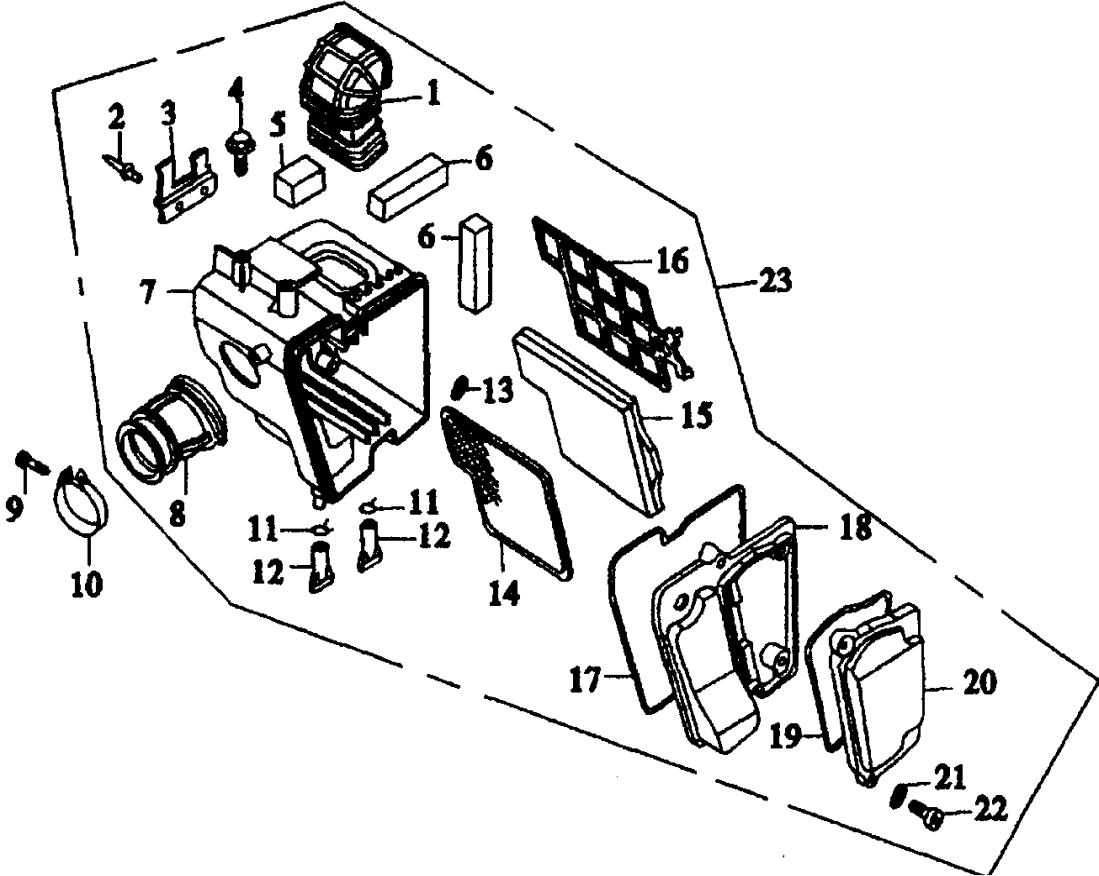
F16 AIR CLEANER

REF	PART NUMBER	DESCRIPTION	QTY	2005
12-1	113611-0251460	INLET PIPE	1	1
12-2		RIVET	2	2
12-3		BRACKET	1	1
12-4		BOLT	2	2
12-5		DAMPER	1	1
12-6		DAMPER	2	2
12-7	115000-0500010	CASE, AIR CLEANER	1	1
12-8	115001-0500010	RUBBER PIPE	1	1
12-9		SCREW	1	1
12-10		CLAMP, HOSE	1	1
12-11		GASKET	2	2
12-12		OUTLET PIPE, WATER	2	2
12-13		WASHER	2	2
12-14		NET	1	1
12-15	115300-0500010	FILTER COLLAR	1	1
12-16		FILTER NET	1	1
12-17		SEAL RING	1	1
12-18		COVER, FILTER	1	1
12-19		SEAL RING	1	1
12-20		COVER, FILTER	1	1
12-21		WASHER	4	4
12-22		BOLT	4	4
12-23	115000-0500010	AIR CLEANER ASSY	1	1



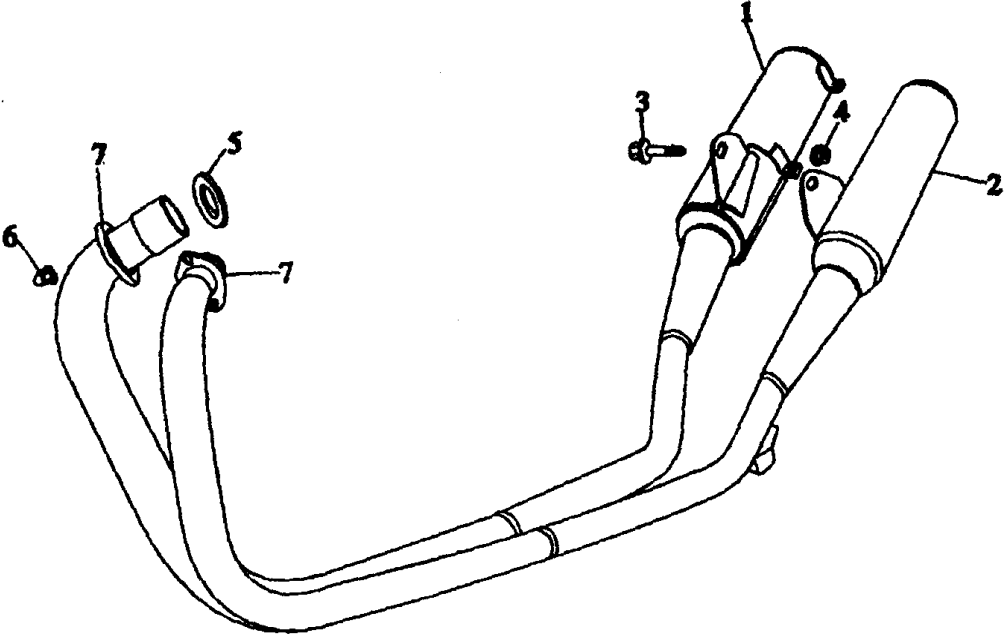
Enlarged figure
Next page

F16 AIR CLEANER



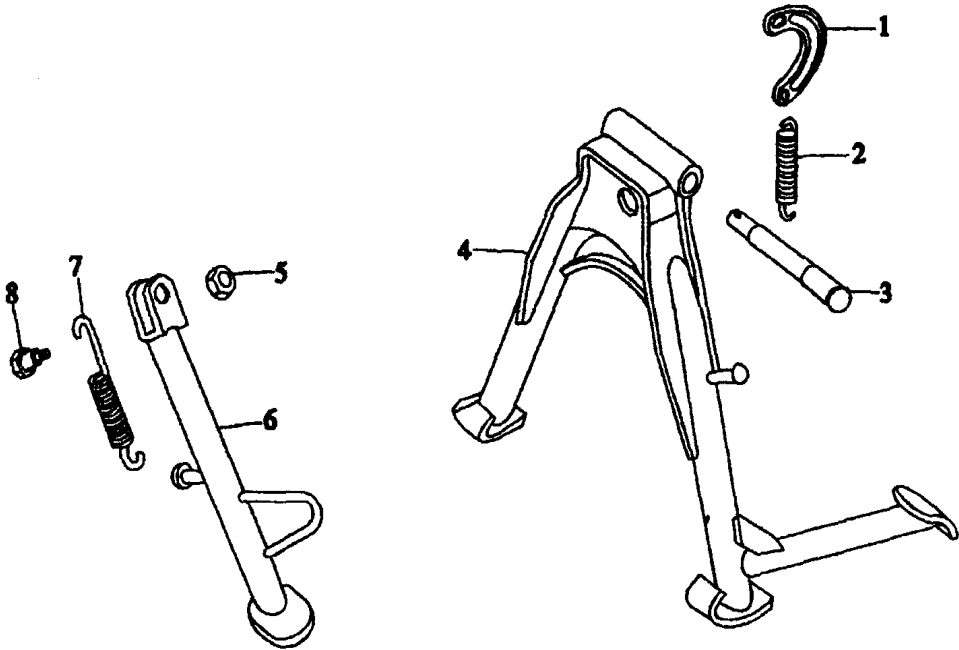
F17 EXHAUST MUFFLER

REF	PART NUMBER	DESCRIPTION	QTY	2005
17-1	117100-3060220	RIGHT MUFFLER	1	1
17-2	118000-3060220	LEFT MUFFLER	1	1
17-3		BOLT	2	2
17-4		NUT	2	2
17-5		SPACER	2	2
17-6		NUT	4	4
17-7		CONNECT PLATE	2	2



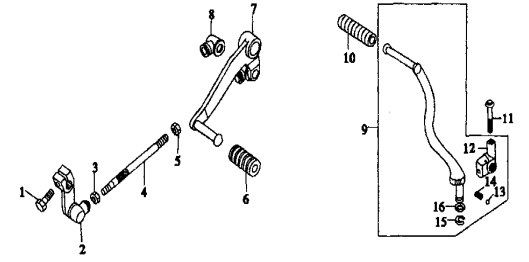
F18 MAIN STAND

REF	PART NUMBER	DESCRIPTION	QTY	2005
18-1		HOOK, MAIN STAND	1	1
18-2		TENSION SPRING, MAIN STAND	1	1
18-3	912105-0140060	SHAFT, MAIN STAND	1	1
18-4	514000-0670120	MAIN STAND	1	1
18-5		NUT	1	1
18-6	510200-3150120	STAND, SIDE	1	1
18-7	510001-3030060	TENSION SPRING, SIDE STAND	1	1
18-8		BOLT	1	1



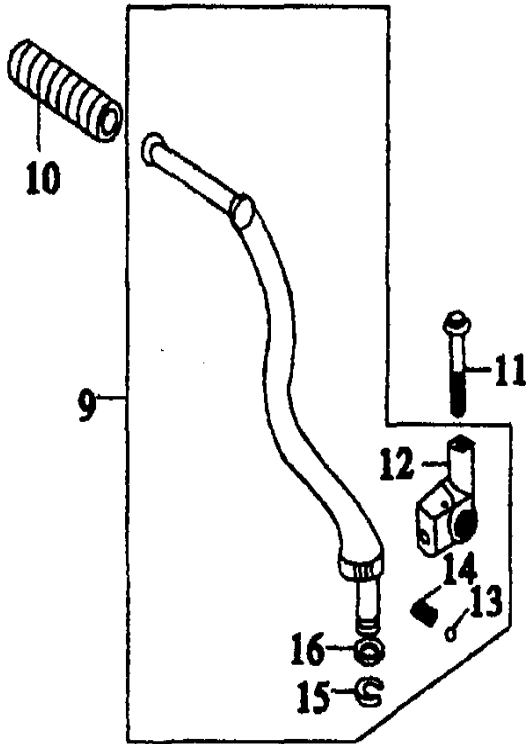
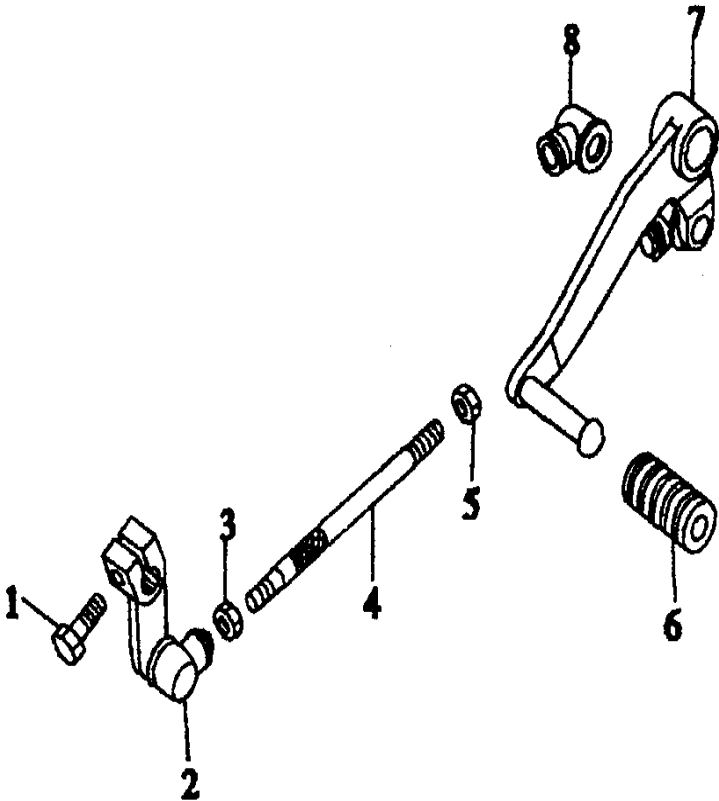
F19 PEDAL, GEAR SHIFTING/KICK SARTER

REF	PART NUMBER	DESCRIPTION	QTY	2005
19-1		BOLT	1	1
19-2		SHIFT SHAFT ASSY	1	1
19-3		NUT	1	1
19-4		ROD, SHIFT	1	1
19-5		NUT	1	1
19-6		COVER, SHIFT PEDAL	1	1
19-7		PEDAL, SHIFT	1	1
19-8		DUST PROOF COVER	1	1
19-9	202100-0120020	KICK STARTER ASSY	1	1
19-10		COVER, FOOTREST	1	1
19-11		BOLT M6 X 30	1	1
19-12		SPLINE SEAT	1	1
19-13		STEER BALL	1	1
19-14		SPRING, LOCATING	1	1
19-15		CIRCLIP	1	1
19-16		WASHER	1	1



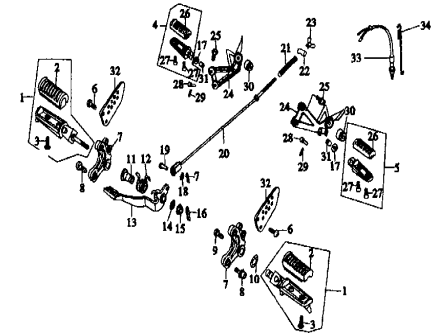
Enlarged figure
Next page

F19 PEDAL, GEAR SHIFTING/KICK SARTER



F20 BRAKE ARM/FOOTREST

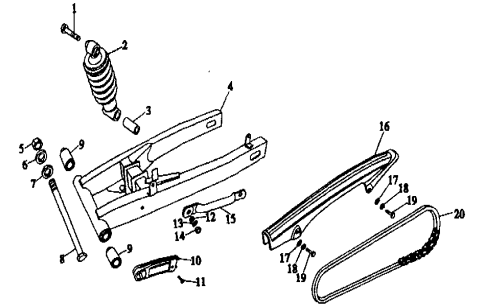
REF	PART NUMBER	DESCRIPTION	QTY	2005
20-1	511000/512000	MAIN STAND	2	2
20-2		COVER, MAIN STAND	2	2
20-3		SCREW	4	4
20-4	516000-0101020	BRACKET, RIGHT	1	1
20-5	515000-0101020	BRACKET, LEFT	1	1
20-6		BOLT	4	4
20-7		BRACKET, MAIN FOOTREST	2	2
20-8		BOLT	2	2
20-9		BOLT	1	1
20-10		WASHER	1	1
20-11		COLLAR	1	1
20-12		SPRING, RETURN	1	1
20-13		PEDAL, REAR BRAKE	1	1
20-14		WASHER	1	1
20-15		NUT	1	1
20-16		PIN	2	2
20-17		WASHER	1	1
20-18		WASHER	1	1
20-19		PIN, CLEVIS	1	1
20-20	408100-0320060	ROD, BRAKE	1	1
20-21		SPRING, COMPRESSION	1	1
20-22		PIN	1	1
20-23		NUT, WING	1	1
20-24		STAND, REAR FOOTREST	1	1
20-25		BOLT	4	4
20-26		COVER, REAR FOOTREST	2	2
20-27		BOLT	4	4
20-28		PIN	2	2
20-29		PIN	2	2
20-30		COVER, SHOCK ABSORBER	2	2
20-31		COLLAR	2	2
20-32		PLATE	2	2
20-33		LIGHT SWITCH, REAR BRAKE	1	1



Enlarged figure
Next page

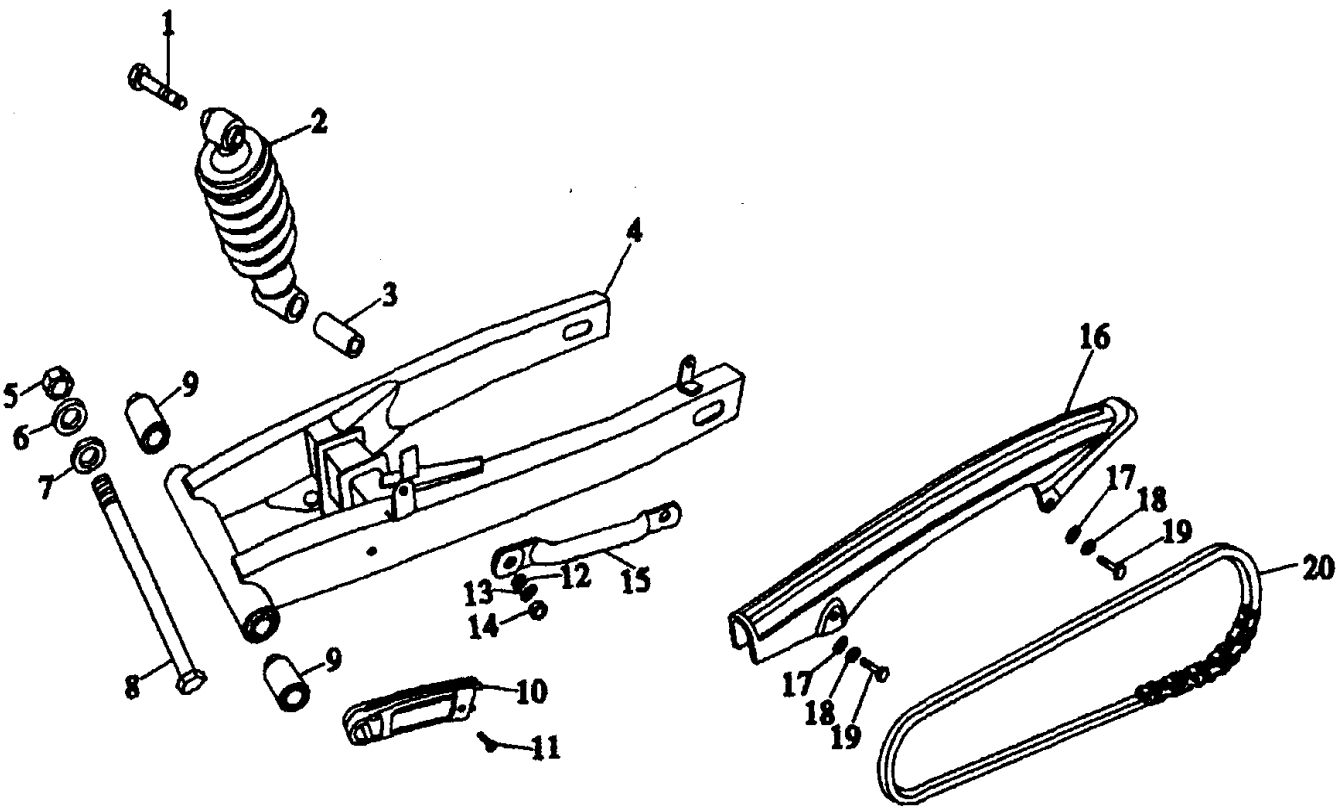
F21 REAR FORK/REAR ABSORBER/BOX CHAIN

REF	PART NUMBER	DESCRIPTION	QTY	2005
21-1		BOLT, LIMIT ROD	1	1
21-2	506300-0570580	CENTER SHOCK ABSORBER, REAR	1	1
21-3		SLEEVE, DAMPER	1	1
21-4	508000-1041020	REAR ARM	1	1
21-5		NUT	1	1
21-6		WASHER	1	1
21-7		WASHER	1	1
21-8	912104-0170060	AXLE	1	1
21-9		COVER, AXLE	2	2
21-10		CHAIN, GUARD	1	1
21-11		SCREW	1	1
21-12		CUSHION, SPRING	1	1
21-13		WASHER	1	1
21-14		NUT	1	1
21-15		CONNECT PLATE	1	1
21-16	507000-0230011	BOX CHAIN	1	1
21-17		WASHER, SPRING	2	2
21-18		WASHER	2	2
21-19		BOLT	2	2
21-20	203100-0310050	CHAIN	1	1



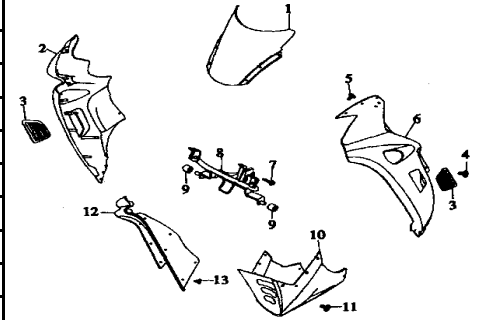
Enlarged figure
Next page

F21 REAR FORK/REAR ABSORBER/BOX CHAIN



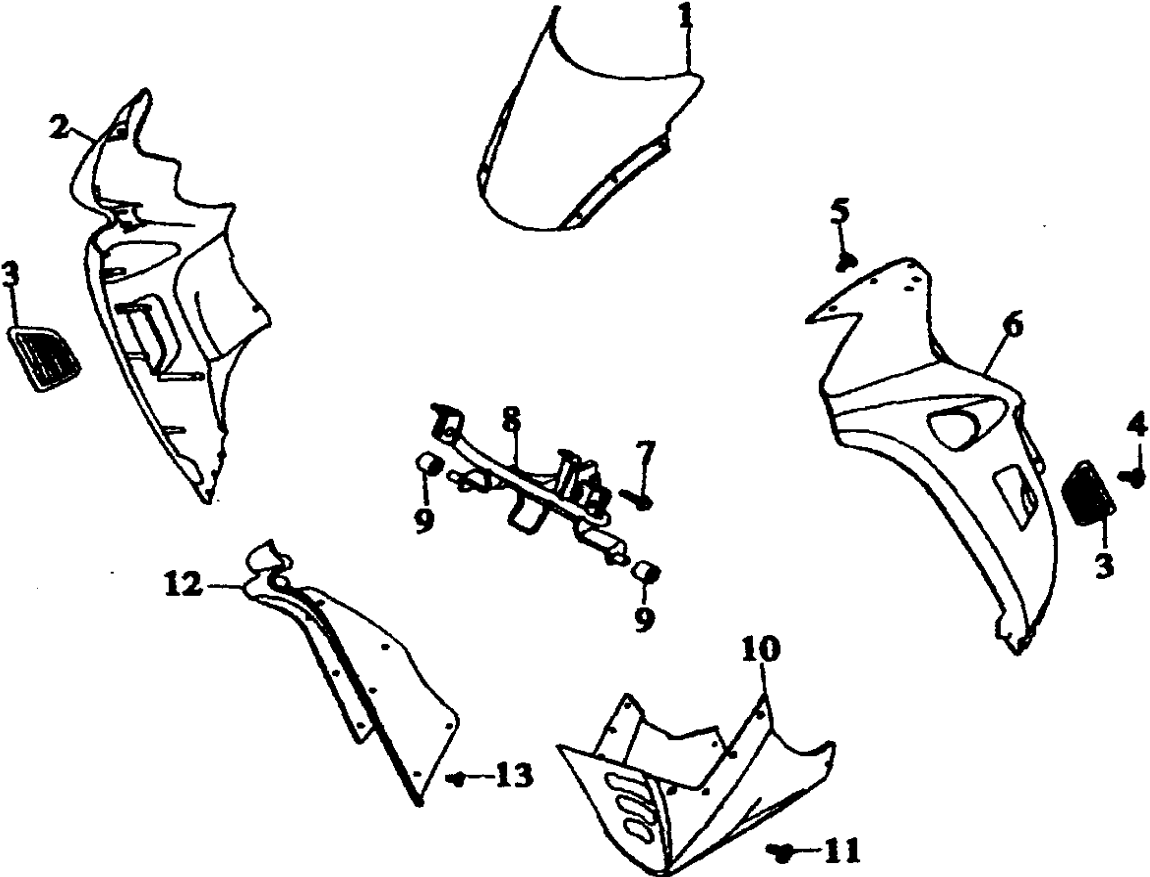
F22 FIRING

REF	PART NUMBER	DESCRIPTION	QTY	2005
22-1	812104-0030010	GLASS, FIRING	1	1
22-2	809400-2510010	RIGHT FIRING, FRONT	1	1
22-3	809500-0010020	DECORATE COVER, FRONT FIRING	2	2
22-4		SCREW	4	4
22-5		SCREW	6	6
22-6	809200-2510010	LEFT, FIRING, FRONT	1	1
22-7		BOLT	1	1
22-8	812080-0060070	BRACKET	1	1
22-9		DAMPER	2	2
22-10	812700-2510010	DOWN	1	1
22-11		BOLT	10	10
22-12	812072-2510010	FIRING UPPER BODY	1	1
22-13		SCREW	6	6



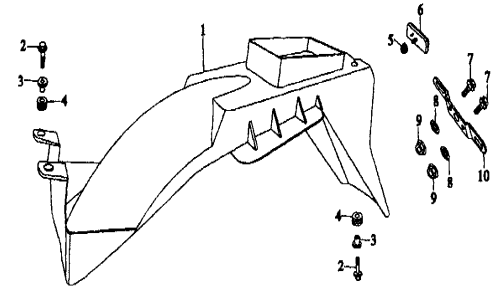
Enlarged figure
Next page

F22 FIRING



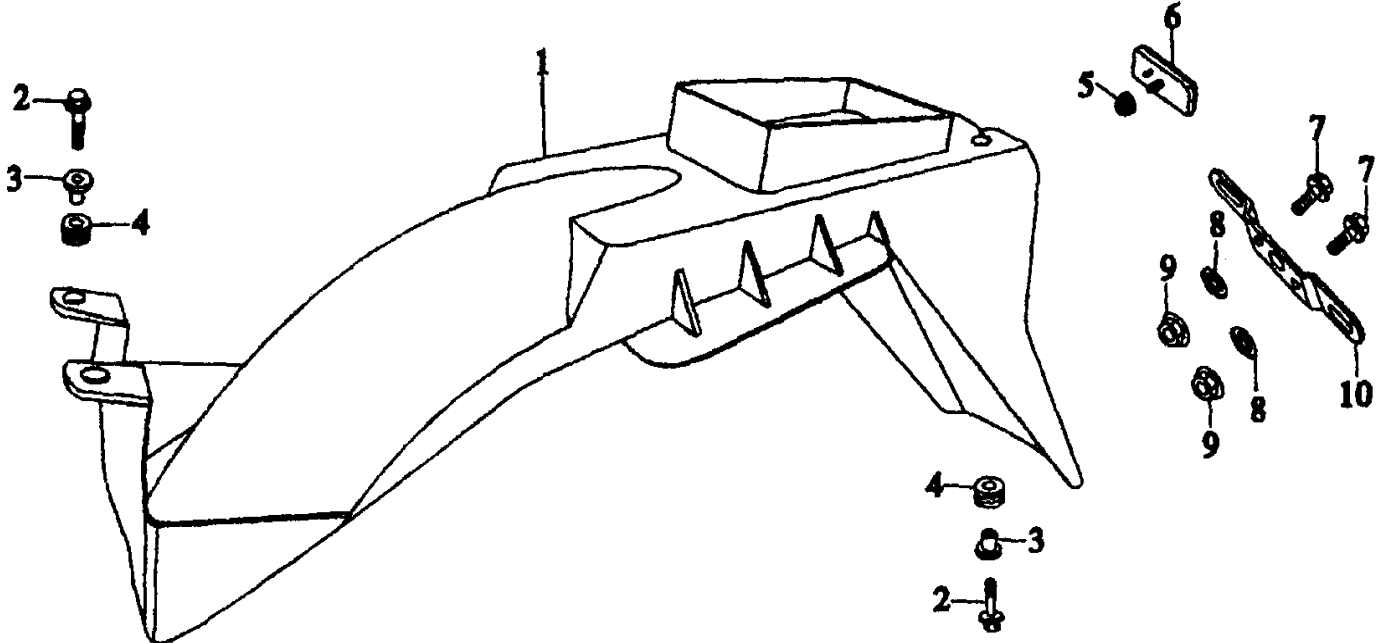
F23 REAR FENDER

REF	PART NUMBER	DESCRIPTION	QTY	2005
23-1	807200-2620010	REAR FENDER	1	1
23-2		BOLT	4	4
23-3		COLLAR	4	4
23-4		RUBBER CUSHION	4	4
23-5		NUT	1	1
23-6	807400-0140010	REAR REFLECTOR	1	1
23-7		BOLT	2	2
23-8		WASHER	2	2
23-9		NUT	2	2
23-10	807072-0130100	BRACKET, REAR LICENSE TAG	1	1



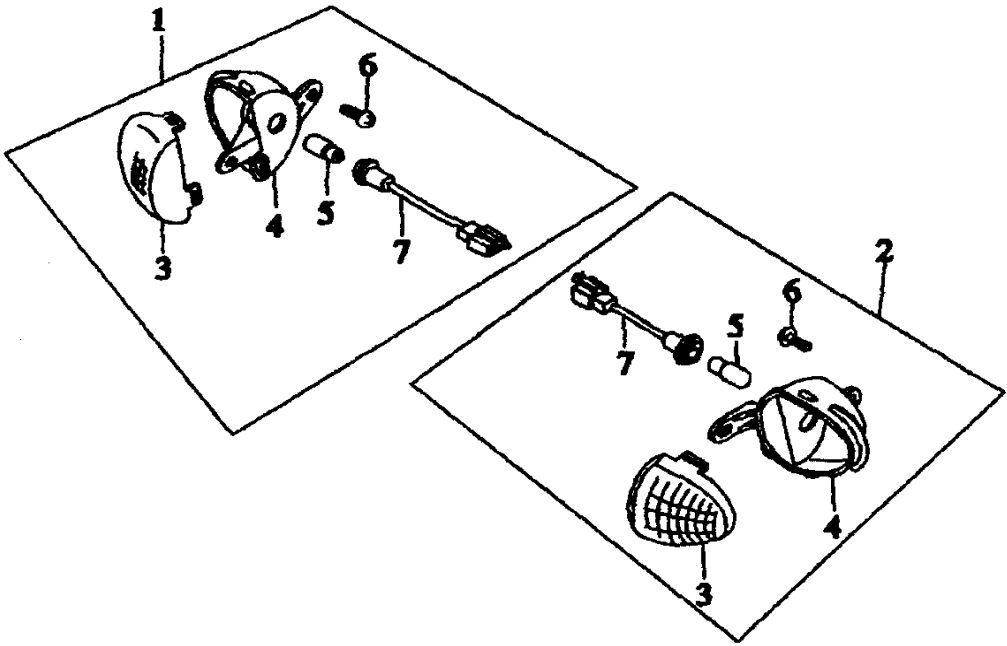
Enlarged figure
next page

F23 REAR FENDER



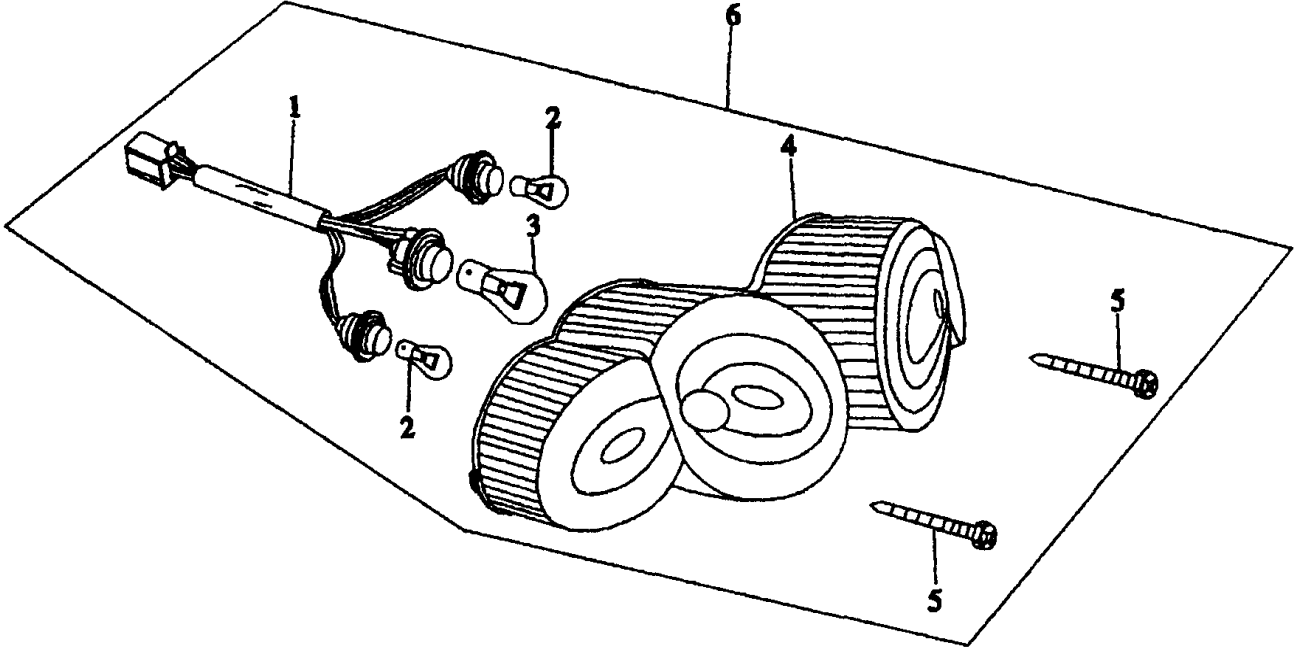
F24 TURNING LIGHT ASSY

REF	PART NUMBER	DESCRIPTION	QTY	2005
24-1	317000-0320010	RIGHT TURNING LIGHT ASSY	1	1
24-2	316000-0320010	LEFT TURNING LIGHT ASSY	1	1
24-3		COVER, TURNING LIGHT	2	2
24-4		BASE, TURNING LIGHT	2	2
24-5	316006-0320010	LAMP	2	2
24-6		SCREW	2	2
24-7		CORD	2	2



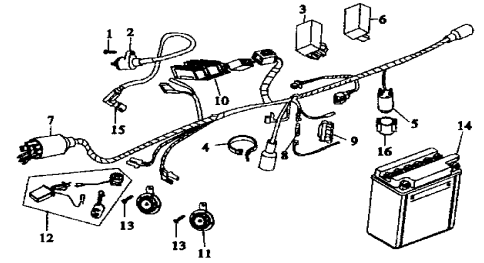
F25 TAIL LIGHT

REF	PART NUMBER	DESCRIPTION	QTY	2005
25-1		CORD	1	1
25-2		LAMP, REAR TURNING LIGHT	2	2
25-3	315002-0620010	LAMP, TAIL LIGHT	1	1
25-4	315004-0620010	LAMP COVER	1	1
25-5		SCREW	2	2
25-6	315000-0620010	TAIL LIGHT ASSY	1	1



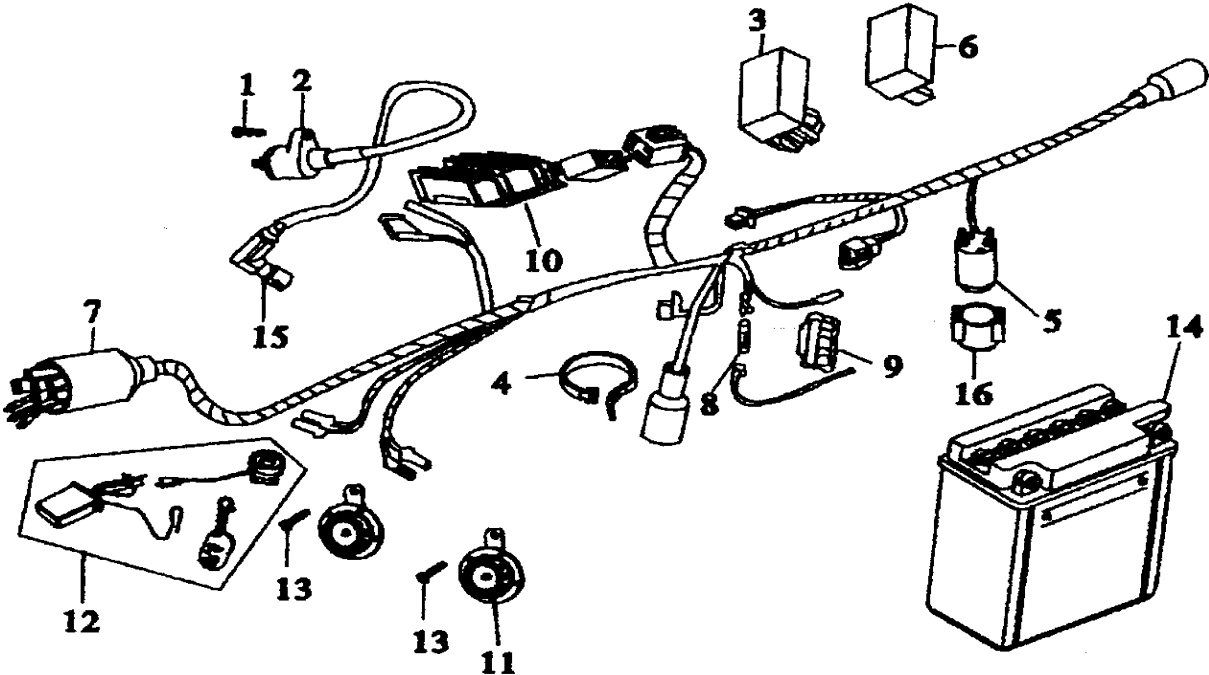
F26 ELECTRICAL ELEMENTS

REF	PART NUMBER	DESCRIPTION	QTY	2005
26-1		BOLT	1	1
26-2	305000-0090010	HIGH-TENSION BUNDLE	1	1
26-3	306000-0070010	IGNITION ASSY	1	1
26-4		HOOP	1	1
26-5	301000-3120010	STARTER RELAY ASSY	1	1
26-6		FLASHER	1	1
26-7	307000-4640010	MAIN WIRE	1	1
26-8		FUSE	1	1
26-9		COVER, FISE	1	1
26-10	302000-3080010	RECTIFIER ASSY	1	1
26-11	312000-0130020	HORN	2	2
26-12	313000-3020010	PROTECTOR	1	1
26-13		SCREW	2	2
26-14	303000-0090010	BATTERY ASSY	1	1
26-15		CAP, SPARK PLUG	1	1
26-16		RUBBER COLLAR	1	1



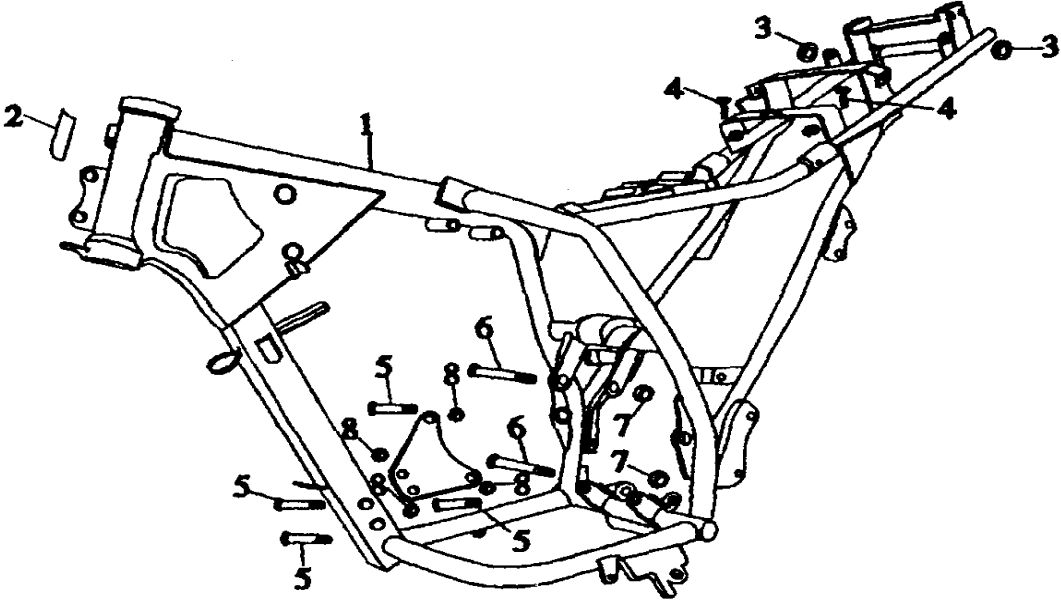
Enlarged figure
Next page

F26 ELECTRICAL ELEMENTS



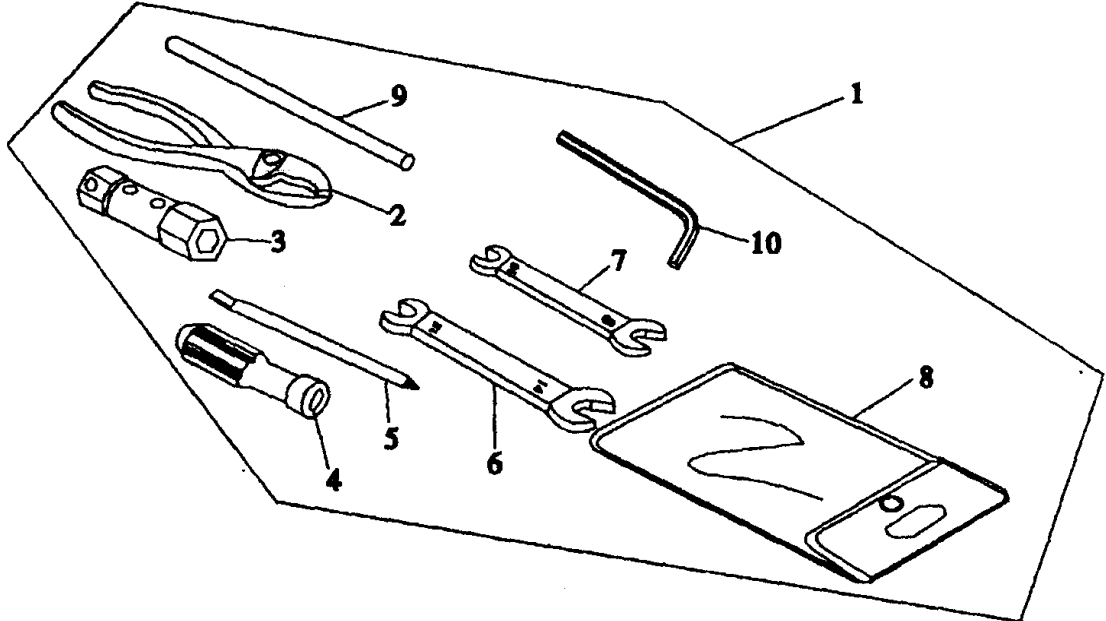
F27 FRAME ASSY

REF	PART NUMBER	DESCRIPTION	QTY	2005
27-1	501100-1760120	FRAME	1	1
27-2	501071-0120010	NAME PLATE	1	1
27-3		DAMPER	2	2
27-4		BOLT	2	2
27-5		BOLT	6	6
27-6		BOLT	2	2
27-7		NUT	2	2
27-8		NUT	6	6



F28 TOOLS

REF	PART NUMBER	DESCRIPTION	QTY	2005
28-1	901100-0150060	TOOLS	1	1
28-2	ORDER REF. 28-1	PINCERS 135	1	1
28-3	ORDER REF. 28-1	SLEEVE	1	1
28-4	ORDER REF. 28-1	HANDLE	1	1
28-5	ORDER REF. 28-1	DRIVER	1	1
28-6	ORDER REF. 28-1	SPANNER	1	1
28-7	ORDER REF. 28-1	SPANNER	1	1
28-8	ORDER REF. 28-1	TOOL BAG	1	1
28-9	ORDER REF. 28-1	WRENCH ROD	1	1
28-10	ORDER REF. 28-1	SPANNER, HEX	1	1





www.umamerica.com

© 2004 UNITED MOTORS OF AMERICA, INC.

