



PARTS CATALOGUE

REPTILE 90

2000-2004



REVISED 05/20/04

INDEX



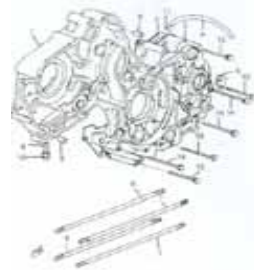
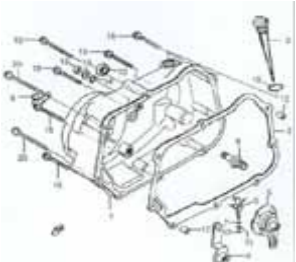
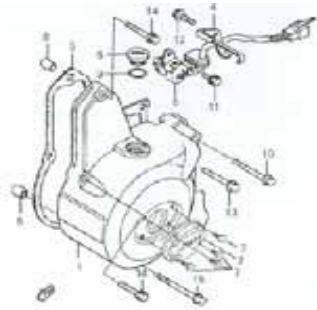
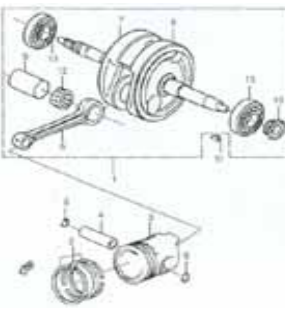
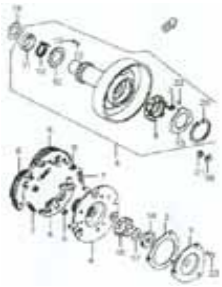
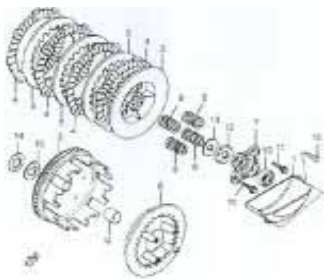

ENGINE

SECTION	FIG #
CYLINDER HEAD COVER	E01
CYLINDER HEAD	E02
CRANKCASE	E03
RIGHT CRANKCASE COVER	E04
LEFT CRANKCASE COVER	E05
CRNKSHAFT PISTON	E06
ONEWAY CLUTCH	E07
CLUTCH	E08
CAMSHAFT VALVE	E09
CAM CHAIN TENSIONER	E10
CARBURETOR	E11
GENERATOR	E12
STARTING CLUTCH	E13
STARTING MOTOR/KICK STARTER	E14
OIL PUMP	E15
GEARSHIFT DRUM	E16
TRANSMISSION	E17
REAR CRANKCASE COVER	E18

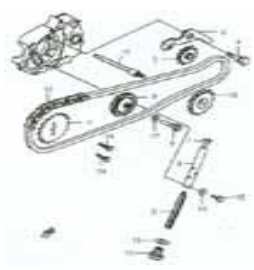

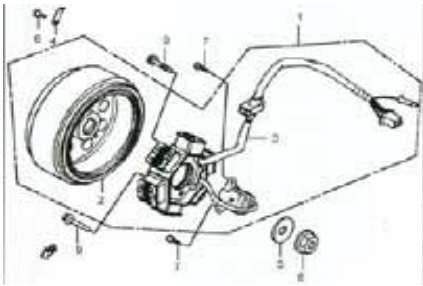
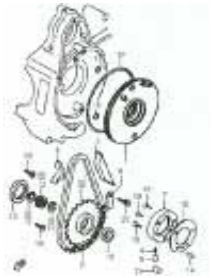
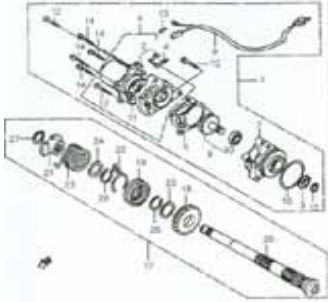
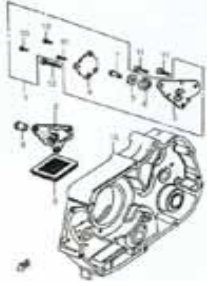

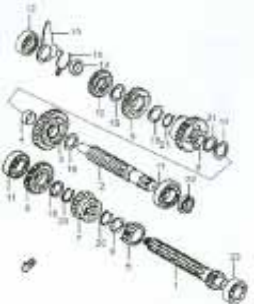
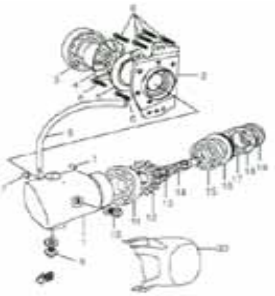
FRAME

SECTION	FIG #
FRAME	F01
FRONT FENDER	F02
REAR FENDER	F03
REAR ARM	F04
DRIVE SHAFT	F05
REAR SUSPENSION	F06
STEERING	F07
FRONT SUSPENSION.WHEEL	F08
FUEL TANK	F09
SEAT	F10
FRONT WHEEL	F11
REAR WHEEL	F12
STEERING HANDLE CABLE	F13
STAND FOOTREST	F14
GUARD	F15
HEADLIGHT	F16
HANDLE SWITCH LEVER	F17
ELECTRICAL I	F18
ELECTRICAL II	F19

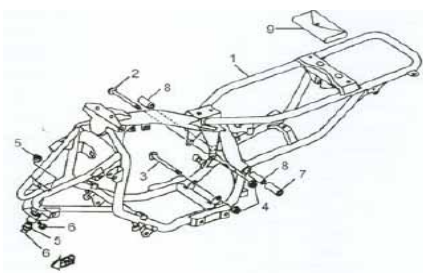

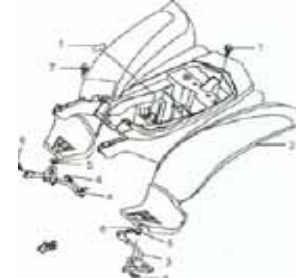

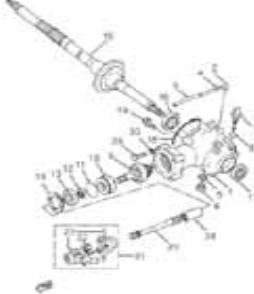

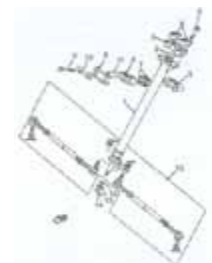
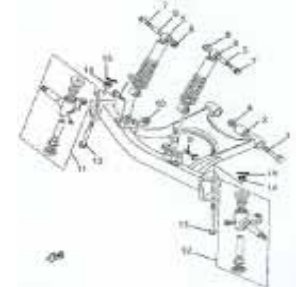
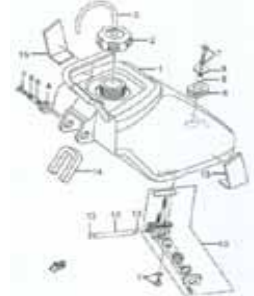
CONTENTS ENGINE GROUP

E01 CYLINDER HEAD COVER	E02 CYLINDER HEAD	E03 CRANKCASE
		
E04 RIGHT CRANKCASE COVER	E05 LEFT CRANKCASE COVER	E06 CRANKSHAFT PISTON
		
E07 ONEWAY CLUTCH	E08 CLUTCH	E09 CAMSHAFT VALVE
		

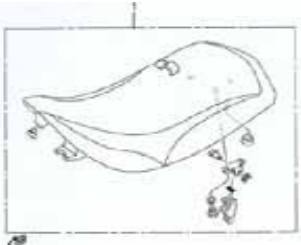
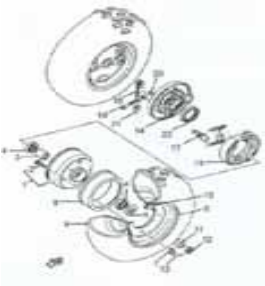
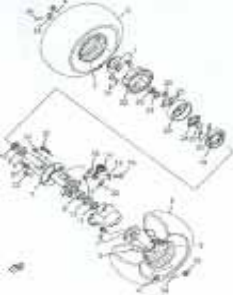
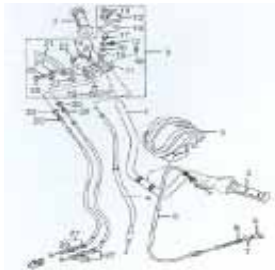
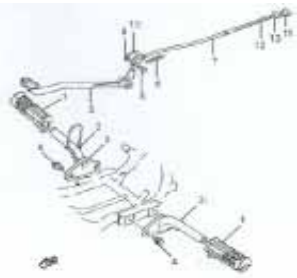
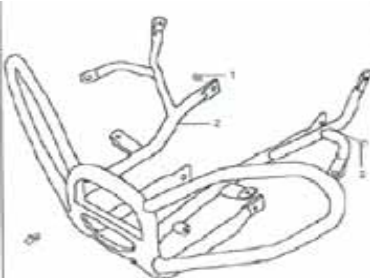
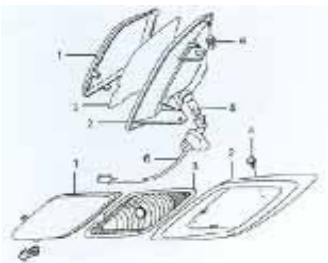
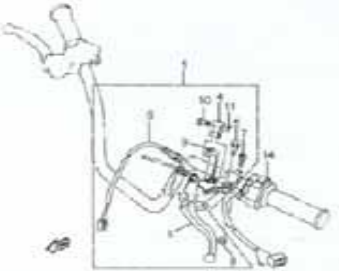
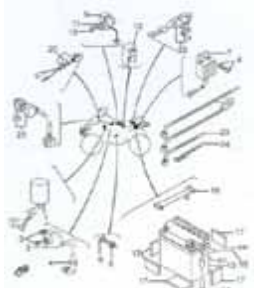
CONTENTS ENGINE GROUP

E10 CAM CHAIN/TENSIONER	E11 CARBURETOR	E12 GENERATOR
		
E13 STARTING CLUTCH	E14 STARTING MOTOR/KICK STARTER	E15 OIL PUMP
		
E16 GEARSHIFT DRUM	E17 TRANSMISSION	E18 REAR CRANKCASE COVER
		

CONTENTS FRAME GROUP

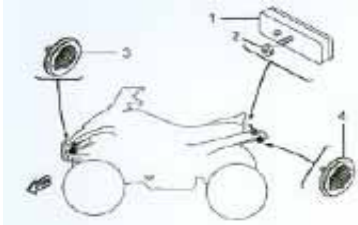
F01 FRAME	F02 FRONT FENDER	F03 REAR FENDER
		
F04 REAR ARM	F05 DRIVE SHAFT	F06 REAR SUSPENSION
		
F07 STEERING	F08 FRONT SUSPENSION WHEEL	F09 FUEL TANK
		

CONTENTS FRAME GROUP

F10 SEAT	F11 FRONT WHEEL	F12 REAR WHEEL
		
F13 STEERING HANDLE CABLE	F14 STAND FOOTREST	F15 GUARD
		
F16 HEADLIGHT	F17 HANDLE SWITCH LEVER	F18 ELECTRICALI
		

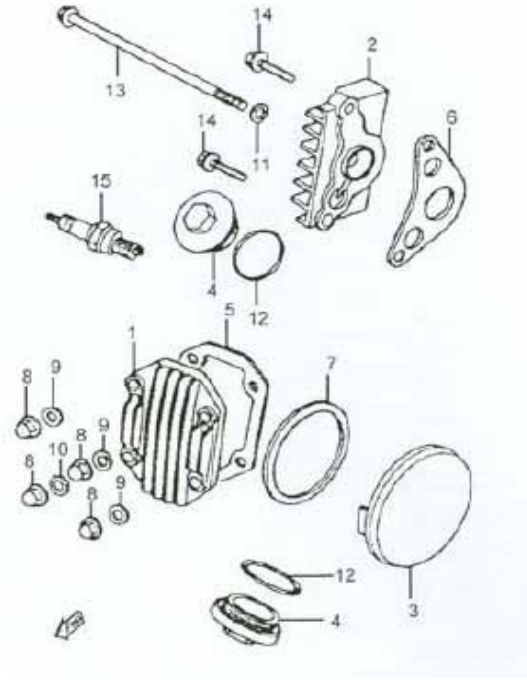
CONTENTS FRAME GROUP

F19 ELECTRICAL II



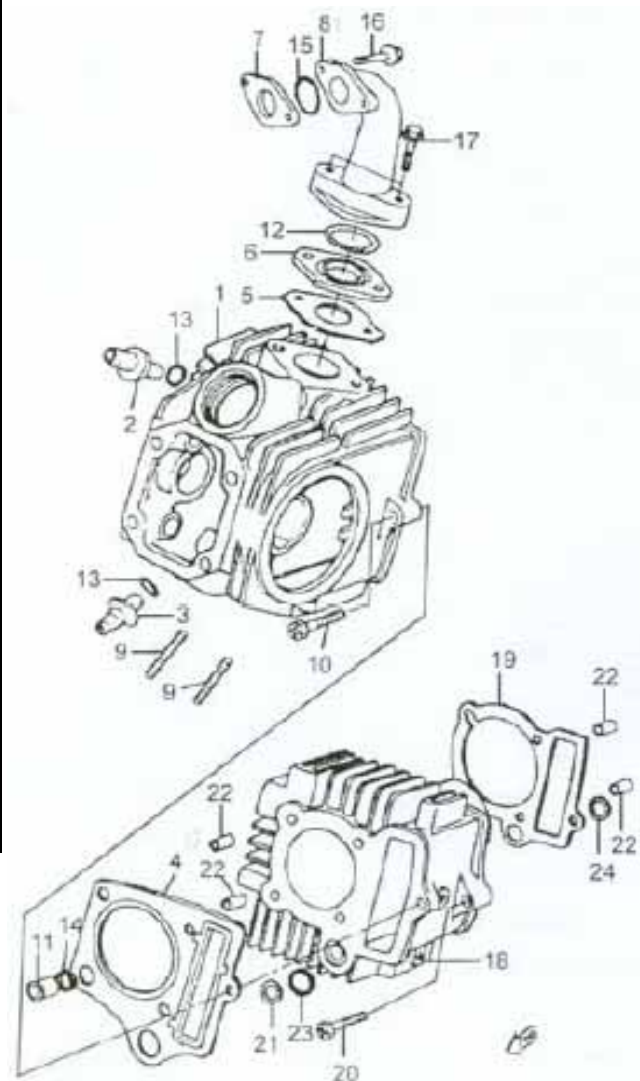
E01 CYLINDER HEAD COVER

REF#	PART #	DESCRIPTION	QTY		2000	2001	2002	2003	2004
1	11101-SPR-00	COVER, CYLINDER HEAD	1	1	1	1	1	1	1
2	11102-SPR-00	COVER, R.CYLINDER HEAD SIDE	1	1	1	1	1	1	1
3	11103-SPR-00	COVER, L.CYLINDER HEAD SIDE	1	1	1	1	1	1	1
4	11104-SPR-00	CAP, TAPPET ADJUSTING HOLE	1	1	1	1	1	1	1
5	11105-SPR-00	GASKET, CYLINDER HEAD COVER	1	1	1	1	1	1	1
6	11106-SPR-00	GASKET, R. CYLINDER HEAD COVER	1	1	1	1	1	1	1
7	11107-SPR-00	GASKET, L. CYLINDER HEAD COVER	1	1	1	1	1	1	1
8	90704-07000	NUT, CAP 7MM	4	4	4	4	4	4	4
9	91806-07000	WASHER, SEALING, 7MM	3	3	3	3	3	3	3
10	91800-07000	WASHER, A. SEALING 7MM	1	1	1	1	1	1	1
11	91806-06512	WASHER, SEALING 6.5X12	1	1	1	1	1	1	1
12	90802-03003	O-RING, 30.8X3	1	1	1	1	1	1	1
13	90330-06110	BOLT, FLANGE, 6X110	1	1	1	1	1	1	1
14	90330-06020	BOLT, FLANGE, 6X20	2	2	2	2	2	2	2
15	11180-SPR-00	PULG, SPARK	1	1	1	1	1 <td 1	1	



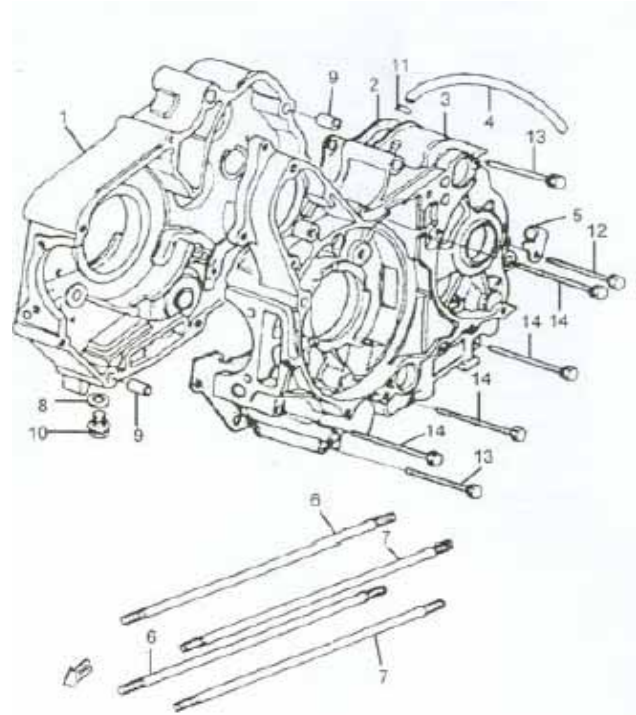
E02 CYLINDER/HEAD

REF#	PART #	DESCRIPTION	QTY	2000	2001	2002	2003	2004
1	11201-SPR-00	HEAD COMP, CYLINDER	1	1	1	1	1	1
2	11202-SPR-00	GUIDE, IN. VALVE.	1	1	1	1	1	1
3	11203-SPR-00	GUIDE, EX. VALVE	1	1	1	1	1	1
4	11204-SPR-00	GASKET, ASSY, CYLINDER HEAD.	1	1	1	1	1	1
5	11205-SPR-00	GASKET, INSULATOR	1	1	1	1	1	1
6	11206-SPR-00	INSULATOR, CARBURETOR	1	1	1	1	1	1
7	11207-SPR-00	INSULATOR, CARBURETOR	1	1	1	1	1	1
8	11208-SPR-00	PIPE, IN	1	1	1	1	1	1
9	90385-06032	BOLT, STUD,6X32	2	2	2	2	2	2
10	90321-06000	BOLT, 6MM	1	1	1	1	1	1
11	90500-09500	COLLAR, 9.5MM	1	1	1	1	1	1
12	90802-02702	O-RING, 27X2.0	1	1	1	1	1	1
13	90802-02502	O-RING, 25X2.4	1	1	1	1	1	1
14	90802-00901	O-RING, 9X1.6	1	1	1	1	1	1
15	11209-SPR-00	GASKET, RUBBER,9MM	1	1	1	1	1	1
16	90330-06025	BOLT, FLANGE, 6X25	1	1	1	1	1	1
17	90330-06028	BOLT, FLANGE, 6X28	2	2	2	2	2	2
18	11210-SPR-00	CYLINDER	1	1	1	1	1	1
19	11211-SPR-00	GASKET, CYLINDER	1	1	1	1	1	1
20	90321-06000	BOLT, 6MM	1	1	1	1	1	1
21	90500-14800	COLLAR, 14.8MM	1	1	1	1	1	1
22	91103-0814	PIN, DOWEL, 8X14	2	2	2	2	2	2
23	90802-01450	O-RING, 14.5MM	1	1	1	1	1	1
24	91000-16000	PACKING, RUBBER, 16MM	1	1	1	1	1	1



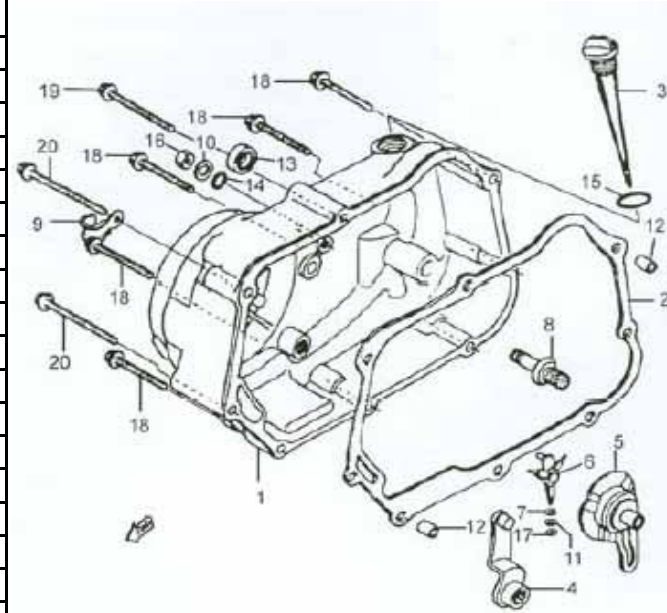
E03 CRANKCASE

REF#	PART #	DESCRIPTION	QTY	2000	2001	2002	2003	2004
1	12101-SPR-00	CRANKCASE, COMP.R	1	1	1	1	1	1
2	12102-SPR-00	GASKET, CRANKCASE	1	1	1	1	1	1
3	12103-SPR-00	CRANKCASE COMP, L	1	1	1	1	1	1
4	12104-SPR-00	TUBE, BREATHER, 5X320	1	1	1	1	1	1
5	12105-SPR-00	CLAMPER, OVER FLOW PIPE	1	1	1	1	1	1
6	90372-00000	BOLT A, CYLINDER STUD. 6X198	2	2	2	2	2	2
7	90374-00000	BOLT B, CYLINDER STUD, 6X205.5	2	2	2	2	2	2
8	91000-12520	PACKING, DRAIN PLUG. 12.5X20	1	1	1	1	1	1
9	91100-10014	PIN A, KNOCK, 10X14	2	2	2	2	2	2
10	90376-00000	BOLT, DRAIN PLUG, 12MM	1	1	1	1	1	1
11	90402-09000	CLIP, TUBE	1	1	1	1	1	1
12	90330-06050	BOLT, FLANGE, 6X50	2	2	2	2	2	2
13	90330-06060	BOLT, FLANGE, 6X60	2	2	2	2	2	2
14	90330-06065	BOLT, FLANGE, 6X65	4	4	4	4	4	4



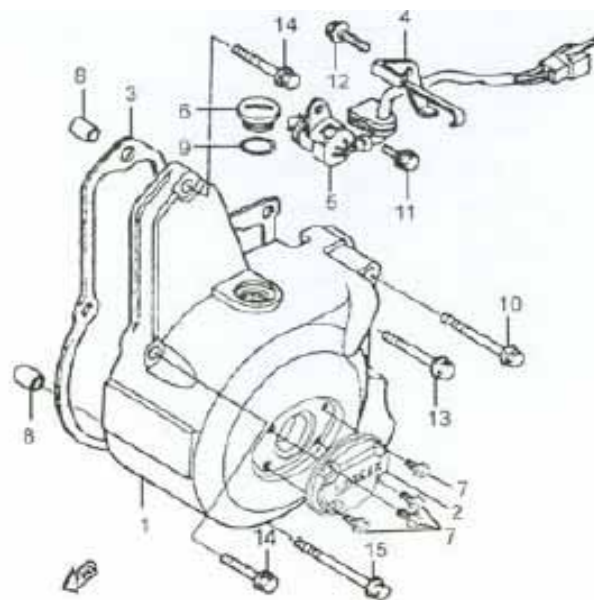
E04 RIGHT CRANKCASE COVER

REF#	PART #	DESCRIPTION	QTY	2000	2001	2002	2003	2004
1	12201-SPR-00	COVER COMP, R. CRANKCASE	1	1	1	1	1	1
2	12202-SPR-00	GASKET, R. CRANKCASE COVER	1	1	1	1	1	1
3	12203-SPR-00	GAUGE, OIL LEVEL	1	1	1	1	1	1
4	12204-SPR-00	LEVER COMP. CLUTCH	1	1	1	1	1	1
5	12205-SPR-00	PLATE COMP. CLUCH CAM	1	1	1	1	1	1
6	12206-SPR-00	BOSS, CLUTCH LIFTER	1	1	1	1	1	1
7	12207-SPR-00	ROLLER, CLUTCH LIFTER	1	1	1	1	1	1
8	12208-SPR-00	BOLT, CLUTCH ADJUSTING	1	1	1	1	1	1
9	12209-SPR-00	CLIP, DYNAMO CORD	1	1	1	1	1	1
10	91802-08000	WASHER, 8MM	1	1	1	1	1	1
11	91805-04008	WASHER, PLAIN, 4X8.	1	1	1	1	1	1
12	91103-08012	PIN, DOWEL, 8X12	2	2	2	2	2	2
13	90900-13824	OIL SEAL, 13.8X24X5	1	1	1	1	1	1
14	90900-00800	O-RING.8MM	1	1	1	1	1	1
15	90802-01803	O-RING.18X3	1	1	1	1	1	1
16	90720-08000	NUT, HEX. 8MM	1	1	1	1	1	1
17	90810-03000	O-RING, 3MM	1	1	1	1	1	1
18	90300-06040	BOLT, FLANGE 6X40	5	5	5	5	5	5
19	90330-06065	BOLT, FLANGE, 6X5	1	1	1	1	1	1
20	90330-06080	BOLT, FLANGE, 6X80	2	2	2	2	2	2



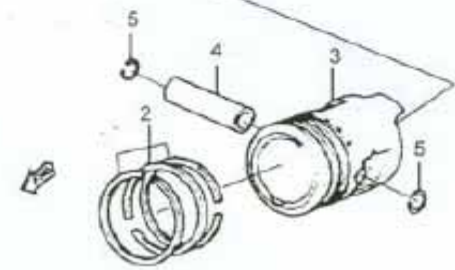
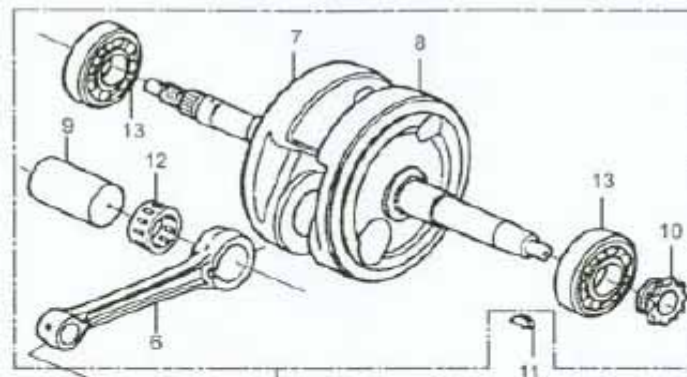
E05 LEFT CRANKCASE COVER

REF#	PART #	DESCRIPTION	QTY	2000	2001	2002	2003	2004
1	12301-SPR-00	COVER,L. CRANKCASE	1	1	1	1	1	1
2	12302-SPR-00	EMBLEM, ENGINE LEFT COVER	1	1	1	1	1	1
3	12303-SPR-00	GASKET L, CRANKCASE COVER	1	1	1	1	1	1
4	12304-SPR-00	CLAMPER	1	1	1	1	1	1
5	12305-SPR-00	SWITCH ASSY, CHANGE	1	1	1	1	1	1
6	12306-SPR-00	CAP. A.C.GENERATOR	1	1	1	1	1	1
7	12307-SPR-00	BOLT	4	4	4	4	4	4
8	91103-08012	PIN, DOWEL	2	2	2	2	2	2
9	90802-02702	O=RING, 13.8X2.5	1	1	1	1	1	1
10	90802-01302	BOLT, FLANGE6X50	1	1	1	1	1	1
11	90330-06012	BOLT, FLANGE6X12	1	1	1	1	1	1
12	90330-06016	BOLT, FLANGE6X16	1	1	1	1	1	1
13	90330-06028	BOLT, FLANGE6X28	1	1	1	1	1	1
14	90330-06032	BOLT, FLANGE6X32	2	2	2	2	2	2
15	90330-06050	BOLT, FLANGE6X70	1	1	1 </tr			



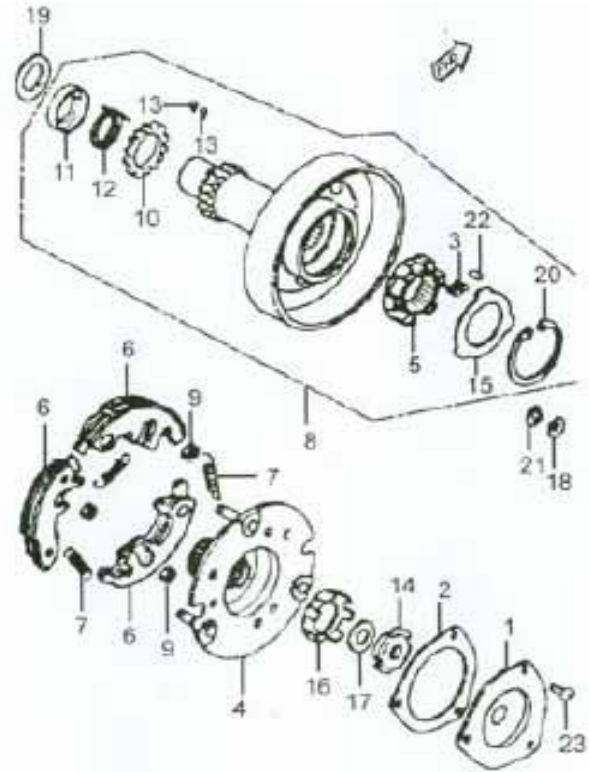
E06 CRANKSHAFT PISTON

REF#	PART #	DESCRIPTION	QTY	2000	2001	2002	2003	2004
1	23110-SPR-00	CRANKSAHFTCOMP.	1	2	3	4	5	6
2	23121-SPR-00	RING SET, PISTON	SET	SET	SET	SET	SET	SET
3	23122-SPR-00	PISTON	1	1	1	1	1	1
4	23123-SPR-00	PIN, PISTON	1	1	1	1	1	1
5	21324-SPR-00	CLIP, PISTOM PIN 13MM	2	2	2	2	2	2
6	23111-SPR-00	ROD, CONNECTING	1	1	1	1	1	1
7	23112-SPR-00	CRANKSHAFT, R	1	1	1	1	1	1
8	23113-SPR-00	CRANKSHAFT, L	1	1	1	1	1	1
9	23114-SPR-00	PIN, CRANK	1	1	1	1	1	1
10	23115-SPR-00	SPROCKET, TIMING	1	1	1	1	1	1
11	23116-SPR-00	KEY, WOODRUFF, 4MM	1	1	1	1	1	1
12	90200-00000	BEARING, CONNECTING ROD	1	1	1	1	1	1
13	90201-06304	BEARING, RADIAL BALL, 6304	2	2	2	2	2	2



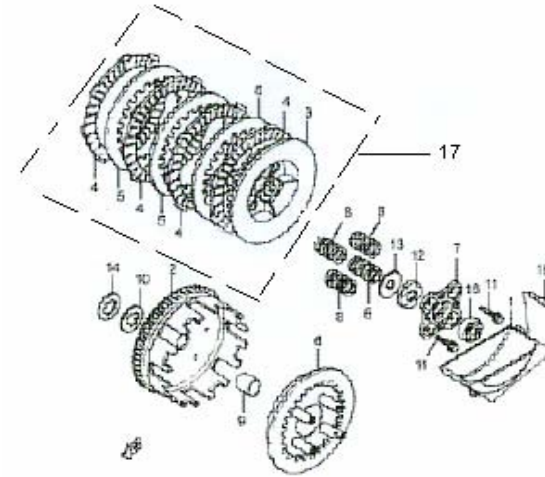
E07 ONEWAY CLUTCH

REF#	PART #	DESCRIPTION	QTY	2000	2001	2002	2003	2004
1	31101-SPR-00	COVER, OIL FILTER	1	1	1	1	1	1
2	31102-SPR-00	GASKET, OIL FILTER	1	1	1	1	1	1
3	31111-SPR-00	SORING, ONE WAY RETAINER	1	1	1	1	1	1
4	31103-SPR-00	PLATE COMP, PRIMARY DRIVE	1	1	1	1	1	1
5	31104-SPR-00	INNER COMP,ONEWAY CLUTCH	1	1	1	1	1	1
6	31105-SPR-00	WEIGHT, PRIMARY CLUTCH	3	3	3	3	3	3
7	31106-SPR-00	SPRING, PRIMARY CLUTCH	2	2	2	2	2	2
8	31110-SPR-00	OUTER ASSY, PRIAMRY CLUTCH	1	1	1	1	1	1
9	31107-SPR-00	RUBBER, CLUTCH DAMPER	2	2	2	2	2	2
10	31112-SPR-00	SUB GEAR	1	1	1	1	1	1
11	31113-SPR-00	COLLAR, SIDE	1	1	1	1	1	1
12	31114-SPR-00	SPRING., SUB FEAR	1	1	1	1	1	1
13	31115-SPR-00	PIN	2	2	2	2	2	2
14	90701-14000	NUT B, LOCK GEAR	1	1	1	1	1	1
15	91802-30045	WASHER. 30X45X0.8	1	1	1	1	1	1
16	91804-00000	WASHER, LOCK	1	1	1	1	1	1
17	91801-00000	WASHER B, LOCK	1	1	1	1	1	1
18	91810-08000	WASHER, THRUST, 8MM	1	1	1	1	1	1
19	91810-19028	WASHER, THRUST, 19X28X1.5	1	1	1	1	1	1
20	90401-1-45000	CIRCLIP, INTERNAL, 45MM	1	1	1	1	1	1
21	90400-07000	CRICLIP, 7MM	1	1	1	1	1	1
22	91200-05080	ROLLER, 5X8	1	1	1	1	1	1
23	91503-05080	SCREW, PAN, 5X8	1	1	1	1	1	1



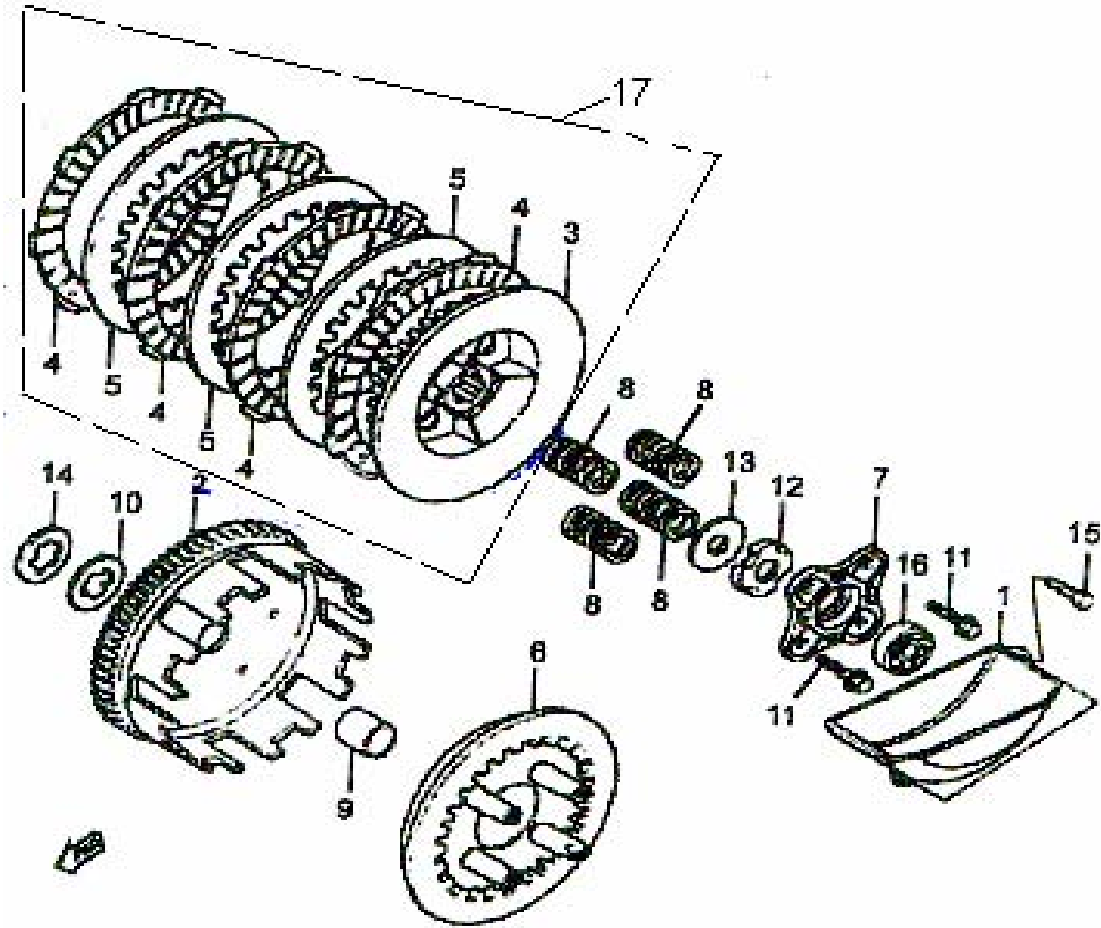
E08 CLUTCH

REF#	PART #	DESCRIPTION	QTY	2000	2001	2002	2003	2004
1	31201-SPR-00	PLATE, OIL SEPARATOR	1	1	1	1	1	1
2	31202-SPR-00	OUTER COMP, CLUTCH (69T)	1	1	1	1	1	1
3	31203-SPR-00	CENTER COMP, CLUTCH	1	1	1	1	1	1
4	31204-SPR-00	DISK, CLUTCH FRICTION	4	4	4	4	4	4
5	31205-SPR-00	PLATE, CLUTCH	3	3	3	3	3	3
6	31206-SPR-00	PLATE, CLUTCH PRESSURE	1	1	1	1	1	1
7	31207-SPR-00	PLATE, CLUTCH LIFTER	1	1	1	1	1	1
8	31208-SPR-00	SORING, CLUTCH	4	4	4	4	4	4
9	31209-SPR-00	COLLAR, CLUTCH CENTER	1	1	1	1	1	1
10	31210-SPR-00	SET RING, 17	1	1	1	1	1	1
11	90384-06022	BOLT, SPECIAL FLANGE, 6X22	2	2	2	2	2	2
12	90707-14000	NUT, LOCK, 14MM	1	1	1	1	1	1
13	91801-00000	WASHER B, LOCK	1	1	1	1	1	1
14	91801-17000	WASHERB, SPLINE, 17MM	1	1	1	1	1	1
15	90340-06020	BOLT, HEX.6X20	1	1	1	1	1	1
16	90201-06000	BEARING, RADIAL BALL,6000	1	1	1	1	1	1
17	31201-SPR-ASSCL	CLUTCH ASSEMBLY	1	1	1	1	1	1



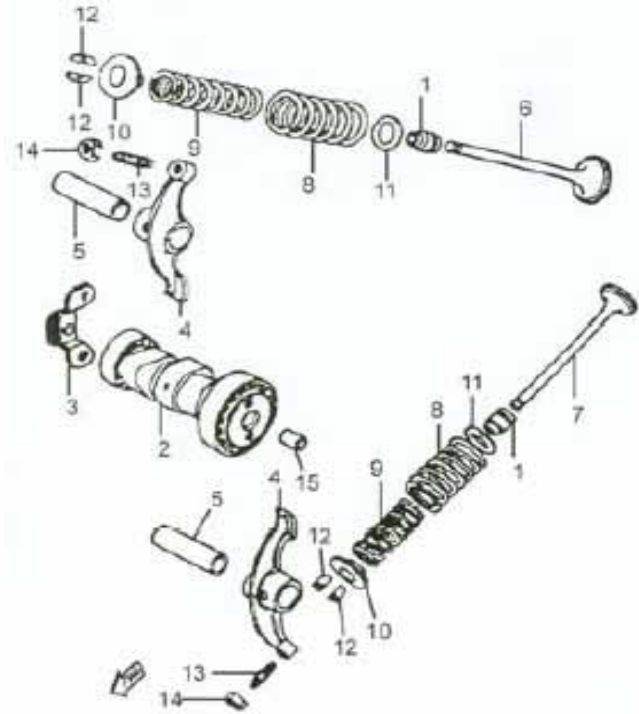
ENLARGED FIGURE
NEXT PAGE

E08 CLUTCH



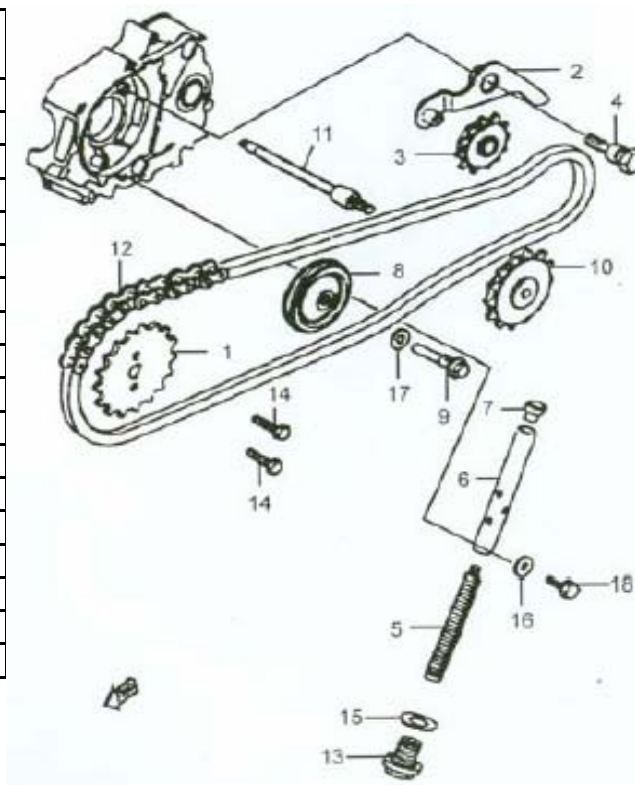
E09 CAMSHAFT/VALVE

REF#	PART #	DESCRIPTION	QTY	2000	2001	2002	2003	2004
1	21101-SPR-00	SEAL, VALVE	2	2	2	2	2	2
2	21102-SPR-00	CAMSHAFT COMP.	1	1	1	1	1	1
3	21103-SPR-00	PLATE COMP, STOPPER	1	1	1	1	1	1
4	21104-SPR-00	ARM, VALVE ROCKER	2	2	2	2	2	2
5	21105-SPR-00	SHAFT, VALVE ROCKER ARM	2	2	2	2	2	2
6	21106-SPR-00	VALVE, IN	1	1	1	1	1	1
7	21107-SPR-00	VALVE, EX	1	1	1	1 <td 1	1	
8	21108-SPR-00	SPRING, VALVE OUTER	2	2	2	2	2	2
9	21109-SPR-00	SPRING, VALVE INNER	2	2	2	2	2	2
10	21110-SPR-00	RETAINER, VALVE SPRING	2	2	2	2	2	2
11	21111-SPR-00	SEAT, VALVE SPRING OUTER	2	2	2	2	2	2
12	21112-SPR-00	COTTER, VALVE	2	2	2	2	2	2
13	91506-00000	SCREW, TAPPET, ADJUSTING	2	2	2	2	2	2
14	90709-00000	NUT, TAPPET ADJUSTING	2	2	2	2	2	2
15	S91103-08012	PIN, DOWEL 8X12	1	1	1	1	1	1



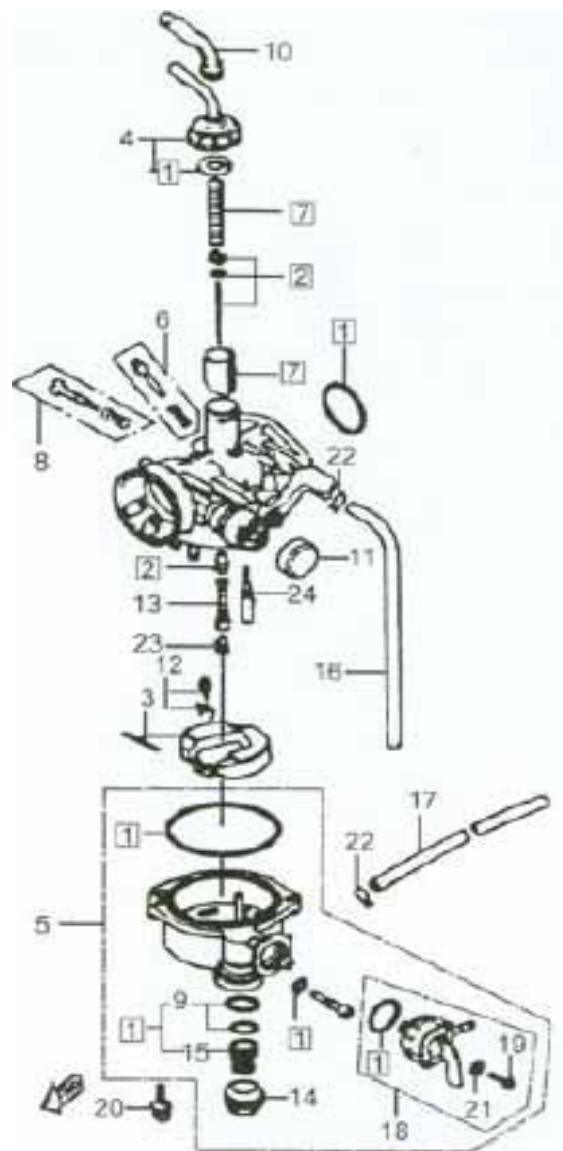
E10 CAM CHAIN/TENSIONER

REF#	PART #	DESCRIPTION	QTY	2000	2001	2002	2003	2004
1	22101-SPR-00	SPROCKET, CAM 928T	1	1	1	1	1	1
2	22102-SPR-00	ARM XOMP, CAM HAIN TENSIONER	1	1	1	1	1	1
3	22103-SPR-00	ROLLER, CAM CHAIN TENSIONER	1	1	1	1	1	1
4	22104-SPR-00	PIVOT, CAM CAHIN TENSIONER	1	1	1	1	1	1
5	22105-SPR-00	SPRING, CAM CHAIN TENSIONER	1	1	1	1	1	1
6	22106-SPR-00	ROD COMP, CA M CHAIN TENSIONER PUSH	1	1	1	1	1	1
7	22107-SPR-00	HEAD, CAM CHAIN TENSIONER PUSH ROD	1	1	1	1	1	1
8	22108-SPR-00	ROLLER COMP, CAM CAHIN GUIDE	1	1	1	1	1	1
9	22109-SPR-00	PIN CAM CHAIN GUIDE ROLLER	1	1	1	1	1	1
10	22110-SPR-00	SPROCKET, CAM CHAIN GUIDE	1	1	1	1	1	1
11	22111-SPR-00	SPINDLE, CAM CHAIN GUIDE SPROCKET	1	1	1	1	1	1
12	22112-SPR-00	CHAIN, CAM.	1	1	1	1	1	1
13	90382-14000	BOLT, SEALING, 14MM	1	1	1	1	1	1
14	90379-05000	BOLT, KNOCK, 5MM	2	2	2	2	2	2
15	91806-14000	WASHER, SEALING 14M	1	1	1	1	1	1
16	91806-06512	WASHER, SEALING, 6.5X12	1	1	1	1	1	1
17	91802-08000	WASHER, 8MM	1	1	1	1	1	1
18	90330-06018	BOLT, FLANGE, 6X18	1	1	1	1	1	1



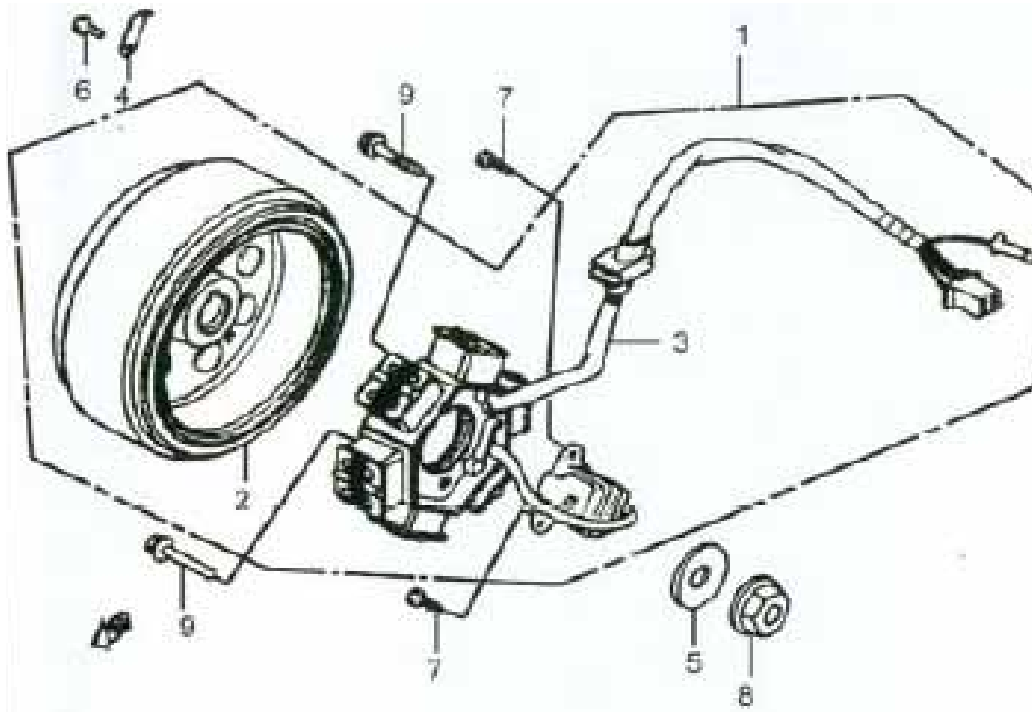
E11 CARBURETOR

REF#	PART #	DESCRIPTION	QTY	2000	2001	2002	2003	2004
1	43101-SPR-00	GASKET SET	1	1	1	1	1	1
2	43102-SPR-00	NEEDLE SET JET	1	1	1	1	1	1
3	43103-SPR-00	FLOAT SET	1	1	1	1	1	1
4	43104-SPR-00	TOP SET	1	1	1	1	1	1
5	43120-SPR-00	CHAMBER SET, FLOAT	1	1	1	1	1	1
6	43105-SPR-00	IDDL MIXER SCREW	1	1	1	1	1	1
7	43106-SPR-00	VALVE SET, THROTTLE	1	1	1	1	1	1
8	43107-SPR-00	IDDL SET SCREW	1	1	1	1	1	1
9	43121-SPR-00	GASKET SET	1	1	1	1	1	1
10	43108-SPR-00	CAP, CABLE SEALING	1	1	1	1	1	1
11	43109-SPR-00	CAO, CHOCK DUST	1	1	1	1	1	1
12	43110-SPR-00	VALVE COMP, FLOAT	1	1	1	1	1	1
13	43111-SPR-00	HOLDER, NEEDLE JET	1	1	1	1	1	1
14	43112-SPR-00	CUP, FUEL STRAINER	1	1	1	1	1	1
15	43122-SPR-00	SCREEN, FUEL STRAINER	1	1	1	1	1	1
16	43123-SPR-00	TUBE, AIR VENT	1	1	1	1	1	1
17	43113-SPR-00	TUBE , OVER FLOW	1	1	1	1	1	1
18	43114-SPR-00	BODY COMP, COCK	1	1	1	1	1	1
19	91503-03120	SCREW, PAN 3X12	1	1	1	1	1	1
20	91508-04018	SCEW-WASHER 4X18	1	1	1	1	1	1
21	91809-03000	WASHER, SPRING 3MM	1	1	1	1	1	1
22	90402-6500	CLIP, TUBE (B6.5)	2	2	2	2	2	2
23	90600-72000	JET MAIN, NO 72	1	1	1	1	1	1
24	90601-38000	JET, SLOW, NO 38	1	1	1	1	1	1
25	43100-SPR-00	CARBURETOR ASSY	1	1	1	1	1	1



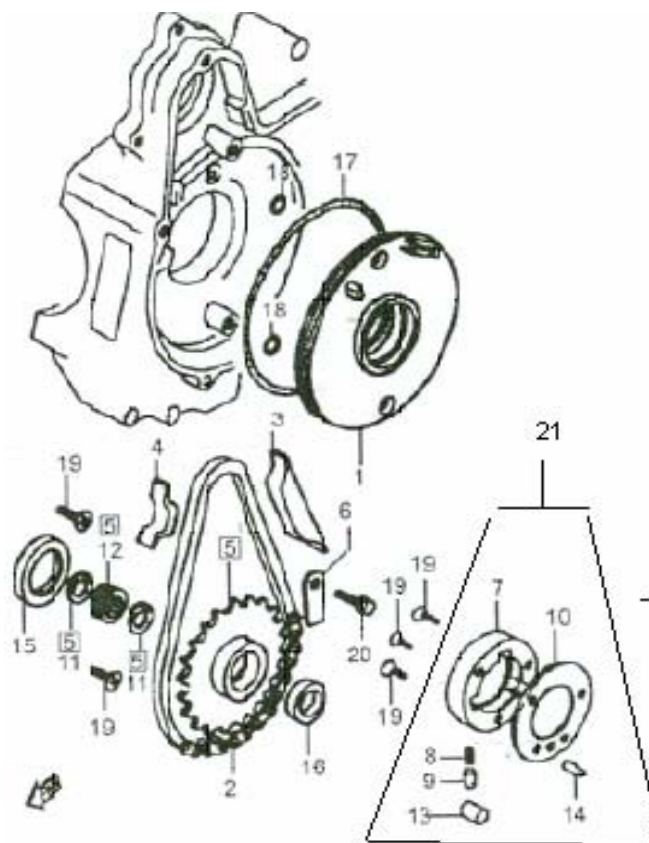
E12 GENERATOR

REF#	PART #	DESCRIPTION	QTY	2000	2001	2002	2003	2004
1	42100-SPR-00	GENERATOR ASSY, FLYWHEEL TYPE A.C.	1	1	1	1	1	1
2	42101-SPR-00	FLYWHEEL COMP	1	1	1	1	1	1
3	42102-SPR-00	STATOR COMP	1	1	1	1	1	1
4	42111-SPR-00	CLAMPER A.C. GENERATOR CORD	1	1	1	1	1	1
5	91802-10000	WASHER, 10MM	1	1	1	1	1	1
6	90340-05006	BOLT HEX 5X6	1	1	1	1	1	1
7	90340-05010	BOLT HEX 5X10	2	2	2	2	2	2
8	90710-10000	NUT FLANGE, 10MM	1	1	1	1	1	1
9	90330-06022	BOLT, FLANGE, 6X22	2	2	2	2	2	2



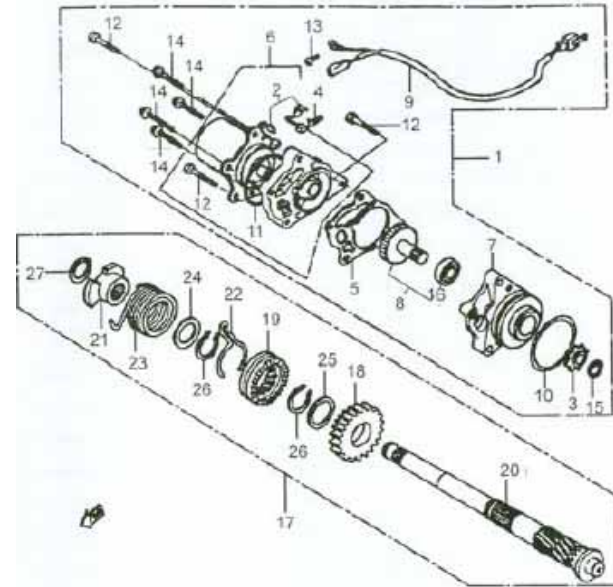
E13 STARTING CLUTCH

REF#	PART #	DESCRIPTION	QTY	2000	2001	2002	2003	2004
1	32101-SPR-00	PLATE, OIL, SPERARATE	1	1	1	1	1	1
2	32102-SPR-00	CHAIN, STARTING	1	1	1	1	1	1
3	32103-SPR-00	GUIDE, STARTER CHAIN	1	1	1	1	1	1
4	32104-SPR-00	PROTECTOR, STARTER CHAIN	1	1	1	1	1	1
5	32105-SPR-00	SPROCKET COMP, SARTING	1	1	1	1	1	1
6	32106-SPR-00	PLATE, STARTING SPROCKET SETTING	1	1	1	1	1	1
7	32107-SPR-00	OUTER, STARTING CLUTCH	1	1	1	1	1	1
8	32108-SPR-00	SPRING, STARTING CLUTCH ROLLER	1	1	1	1	1	1
9	32109-SPR-00	CAP,STARTING CLUTCH ROLLER SPRING	1	1	1	1	1	1
10	32110-SPR-00	PLATE, STARTING CLUTCH SIDE	1	1	1	1	1	1
11	90401-23000	CIRCLIP, INTERNAL, 23MM	2	2	2	2	2	2
12	90201-00000	BEARING, NEEDLE, 19X23X13	1	1	1	1	1	1
13	91200-10100	ROLLER, 10X10	1	1	1	1	1	1
14	91200-05118	ROLLER, 5X11.8	1	1	1	1	1	1
15	90900-30042	OIL SEAL, 30X42X4.5	1	1	1	1	1	1
16	90900-18928	OIL SEAL, 18.9X28X5	1	1	1	1	1	1
17	90802-10702	O-RING, 107X2	1	1	1	1	1	1
18	90802-00601	O-RING, 6X1.7	2	2	2	2	2	2
19	91501-06160	SCREW , FLAT, 6X16	5	5	5	5	5	5
20	90330-06010	BOLT, FLANGE, 6X10	1	1	1	1	1	1
21	32107-SPROUT	OUTER SPRING CLUTCH COMP	1	1	1	1	1	1



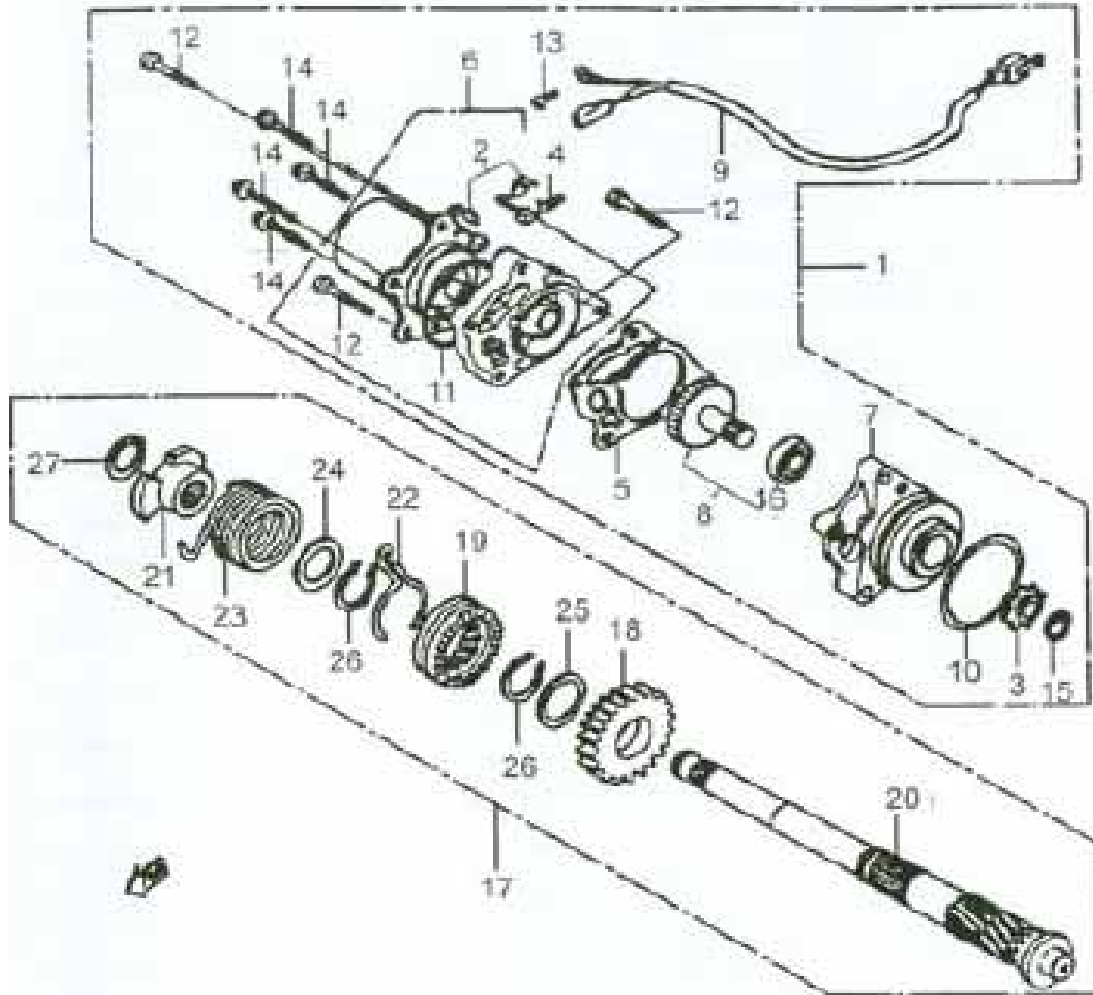
E14 STRATING MOTOR/KICK STARTER SPINDLE

REF#	PART #	DESCRIPTION	QTY	2000	2001	2002	2003	2004
1	33100-SPR-00	MOTOR ASSY,STARTER	1	1	1	1	1	1
2	33121-SPR-00	BRUSH SET	1	1	1	1	1	1
3	33101-SPR-00	SPROCKET	1	1	1	1	1	1
4	33102-SPR-00	SPRING BRUSH	1	1	1	1	1	1
5	33103-SPR-00	PACKING	1	1	1	1	1	1
6	33120-SPR-00	MOTOR ONLY	1	1	1	1	1	1
7	33104-SPR-00	CASE A, FR	1	1	1	1	1	1
8	33105-SPR-00	GEAR COMP, DRIVEN	1	1	1	1	1	1
9	33106-SPR-00	SUB HARNESS A	1	1	1	1	1	1
10	90801-10000	O-RING A	1	1	1	1	1	1
11	90801-20000	O-RING B	1	1	1	1	1	1
12	90330-06045	BOLT, FLANGE, 6X45	1	1	1	1	1	1
13	91508-04006	SCREW-WASER 4X6	1	1	1	1	1	1
14	91508-05030	SCREW-WASHER 5X30	4	4	4	4	4	4
15	90401-12000	CIRCLIP, EXTERNAL, 12MM	1	1	1	1	1	1
16	90201-06001	BEARING RADIAL BALL, 6001	1	1	1	1	1	1
17	34300-SPR-00	SPINDLE COMP, KICK STARTER	1	1	1	1	1	1
18	34301-SPR-00	PINION, KICK STARTER	1	1	1	1	1	1
19	34302-SPR-00	RATCHET, STARTER DRIVE	1	1	1	1	1	1
20	34303-SPR-00	SPINDLE, KICK STARTER	1	1	1	1	1	1
21	34304-SPR-00	RETAINER, KICK SPRING	1	1	1	1	1	1
22	34305-SPR-00	SPRING, STARTER PINION FRICTION	1	1	1	1	1	1
23	34306-SPR-00	SPRING, KICK STARTER	1	1	1	1	1	1
24	91802-1700	WASHER, 17MM	1	1	1	1	1	1
25	91810-20000	WASHER, THRUST, 20MM	1	1	1	1	1	1
26	91600-00000	SET RING, 20MM	2	2	2	2	2	2
27	90401-16000	CIRCLIP, EXTERNAL, 16MM	1	1	1	1	1	1



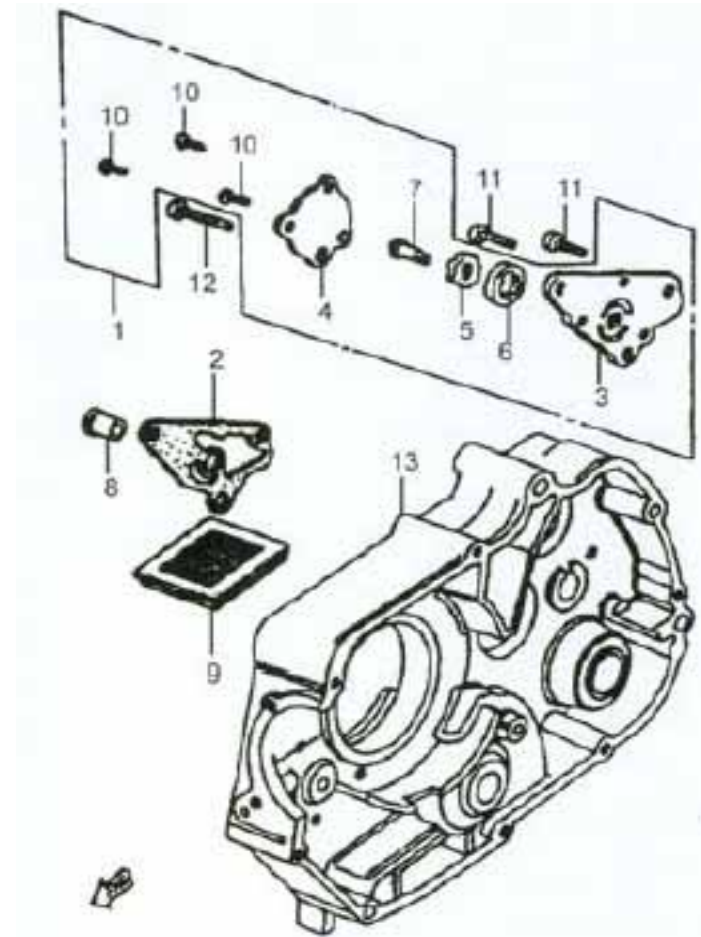
ENLARGED FIGURE
NEXT PAGE

E14 STARTING MOTOR/KICK STARTER SPINDLE



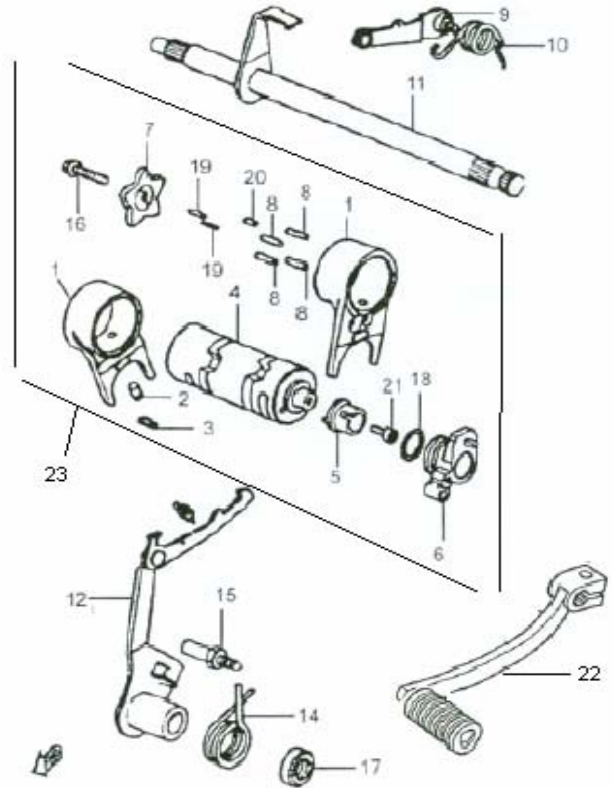
E15 OIL PUMP

REF#	PART #	DESCRIPTION	QTY	2000	2001	2002	2003	2004
1	41100-SPR-00	PUMP ASSY, OIL	1	1	1	1	1	1
2	41111-SPR-00	GASKET, OIL PUMP BODY	1	1	1	1	1	1
3	41101-SPR-00	BODY, OIL PUMP	1	1	1	1	1	1
4	41102-SPR-00	COVER, OIL PUMP	1	1	1	1	1	1
5	41103-SPR-00	ROTOR, OIL PUMP INNER	1	1	1	1	1	1
6	41104-SPR-00	ROTOR, OIL PUMP OUTER	1	1	1	1	1	1
7	41105-SPR-00	DRIVESHAFT, OIL PUMP	1	1	1	1	1	1
8	41112-SPR-00	PIVOT, OIL FILTER	1	1	1	1	1	1
9	41113-SPR-00	SCREEN, OIL FILTER	1	1	1	1	1	1
10	91503-05100	SCREW, PAN 5X10	3	3	3	3	3	3
11	91503-06160	SREW. PAN 6X16	2	2	2	2	2	2
12	91503-06220	SCREW, PAN 6X22	1	1	1	1	1	1
13	12101-SPR-00	CRANKCASE COMP, R.	1	1	1	1	1	1



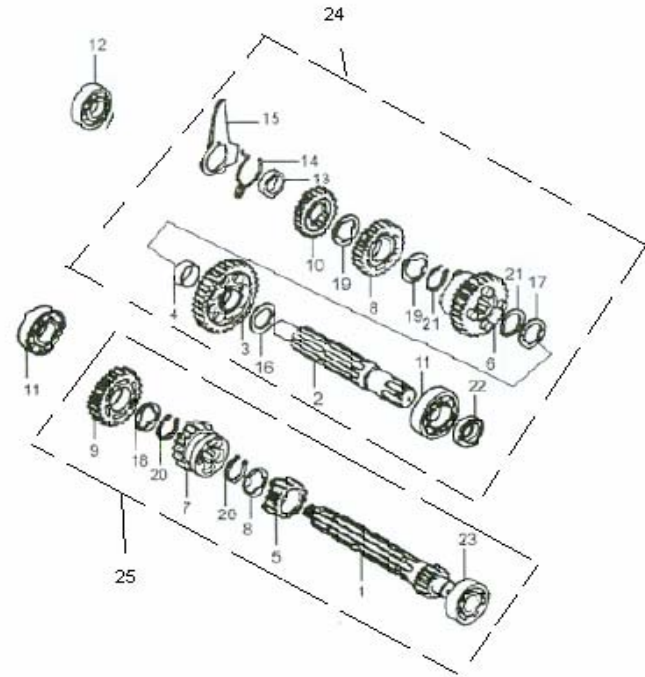
E16 GEARSHIFT DRUM

REF#	PART #	DESCRIPTION	QTY	2000	2001	2002	2003	2004
1	34101-SPR-00	FORK, GEARSHIFT	2	2	2	2	2	2
2	34102-SPR-00	PIN, GEARSHIFT FORK GUIDE	1	1	1	1	1	1
3	34103-SPR-00	CLIP, GEARSHIFT FORK GUIDE PIN	1	1	1	1	1	1
4	34104-SPR-00	DRUM, GEARSHIFT	1	1	1	1	1	1
5	34105-SPR-00	PIECE, CHANGE SWITCH DRIVER	1	1	1	1	1	1
6	34106-SPR-00	COLLAR, CHANGE SWITCH	1	1	1	1	1	1
7	34107-SPR-00	PLATE, GEARSHIFT DRUM STOPPER	1	1	1	1	1	1
8	34108-SPR-00	PIN, GEARSHIFT DRUM	4	4	4	4	4	4
9	34109-SPR-00	SPINDLE COMP, GEARSHIFT DRUM	1	1	1	1 <td 1	1	
10	34110-SPR-00	SPRING, SHIFT DRUM STOPPER	1	1	1	1	1	1
11	34111-SPR-00	SPINDLE COMP. GEARSHIFT	1	1	1	1	1	1
12	34112-SPR-00	ARM COMP, GEARSHIFT	1	1	1	1	1	1
13	34113-SPR-00	SPRING, GEARSHIFT ARM	1	1	1	1	1	1
14	34114-SPR-00	SPRING, GEARSHIFT RETURN	1	1	1	1	1	1
15	34115-SPR-00	PIN, SHIFT RETURN SPRING	1	1	1	1	1	1
16	90379-06000	BOLT, KNOCK, 6MM	1	1	1	1	1	1
17	909000-11624	OIL SEAL, 11.6X24X10	1	1	1	1	1	1
18	90802-02102	O-RING, 21.5X2	1	1	1	1	1	1
19	91200-03085	ROLLER, 3X8.5	2	2	2	2	2	2
20	91200-04100	ROLLER, 4X10	1	1	1	1	1	1
21	90383-06016	BOLT, SOCKET, 6X16	1	1	1	1	1	1
22	34116-LIN-90	GEAR SHIFTER	1	1	1	1	1	1
23	34101-SPR-ASSFO	FORK GEAR COMPLETE	1	1	1	1	1	1



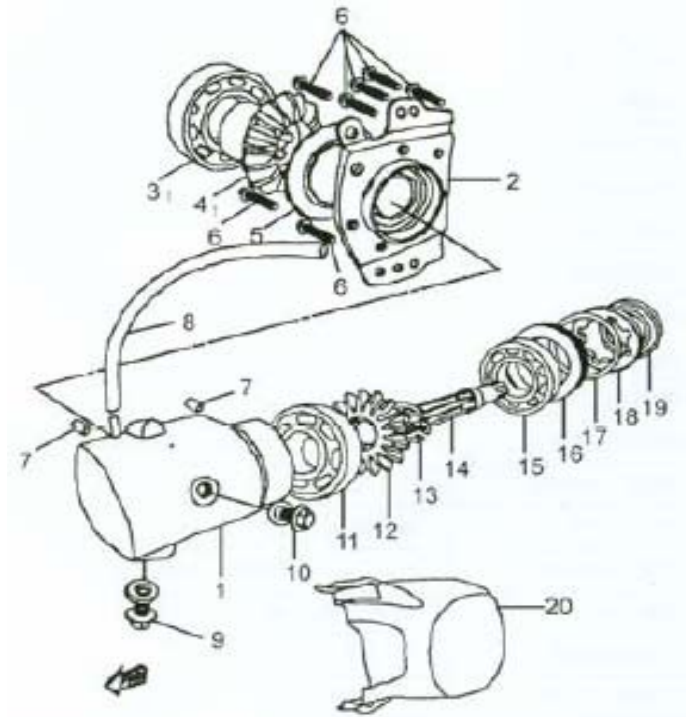
E17 TRANSMISSION

REF#	PART #	DESCRIPTION	QTY	2000	2001	2002	2003	2004
1	34201-SPR-00	MAINSHAFT, TRANSMISSION(12T)	1	1	1	1	1	1
2	34202-SPR-00	COUNTERSHAFT	1	1	1	1	1	1
3	34203-SPR-00	GEAR, COUNTERSHAFT LOE(34T)	1	1	1	1	1	1
4	34204-SPR-00	BUSH, 209	1	1	1	1	1	1
5	34205-SPR-00	GEAR, MAINSHAT SECOND(17T)	1	1	1	1	1	1
6	34206-SPR-00	GEAR,COUNTERSHAFT THIRD(21T)	1	1	1	1	1	1
7	34207-SPR-00	GEAR, MAINSHAFT THIRD (21T)	1	1	1	1	1	1
8	34208-SPR-00	GEAR, COUNTERSHAFT THIRD(26T)	1	1	1	1	1	1
9	34209-SPR-00	GEAR, MAINSHAFT FOURTH (24T)	1	1	1	1	1	1
10	34210-SPR-00	FRAT, CONTERSHAT FOURTH (23T)	1	1	1	1	1	1
11	90201-06203	BEARING, RADIAL BALL, 6203	1	1	1	1	1	1
12	90201-06201	BEARIN RADIAL BALL 6202	1	1	1	1	1	1
13	34213-SPR-00	COLLAR	1	1	1	1	1	1
14	34214-SPR-00	SPRING	1	1	1	1	1	1
15	34215-SPR-00	PLATE, GEARSHUFT DRUM LOCK	1	1	1	1	1	1
16	91810-17000	WASHER, THRUST, 17MM	1	1	1	1	1	1
17	91808-00000	WASHER, SPLINE	1	1	1	1	1	1
18	91808-17000	WASHER,SPLINE, 17MM	1	1	1	1	1	1
19	91808-20000	WASHER, SPLINE, 20MM	2	2	2	2	2	2
20	90401-17000	CIRCLIP, EXERNAL, 17MM	2	2	2	2	2	2
21	90400-20000	CIRCLIP,20MM	2	2	2	2	2	2
22	90900-17029	OIL SEAL, 17295	1	1	1	1	1	1
23	90201-06001	BEARING RADIAL BALL, 6001	1	1	1	1	1	1
24	34202-SPR-COMP	COUNTERSHAFT COMPLETE	1	1	1	1	1	1
25	34201-SPR-COMP	MAINSHAFT, COMP ASSY	1	1	1	1	1	1



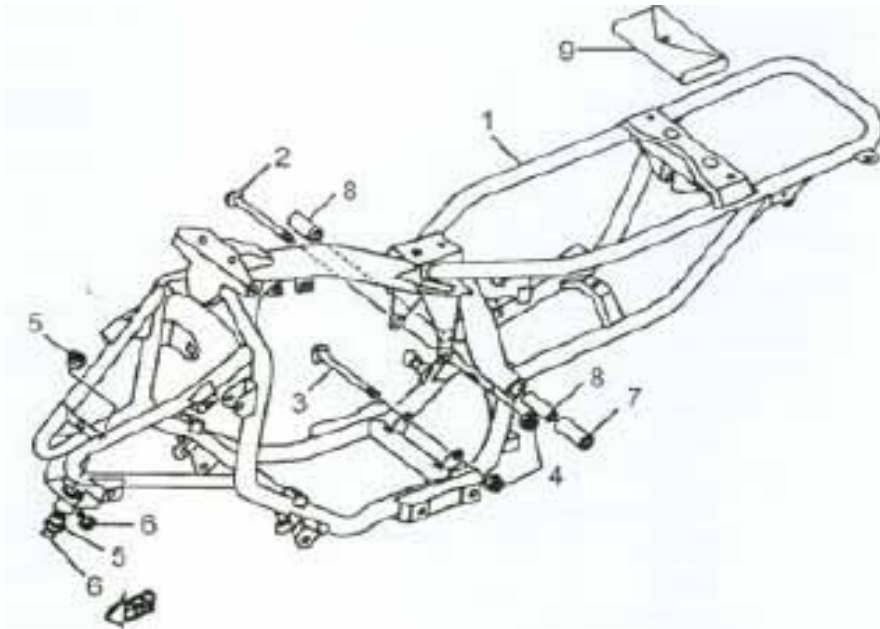
E18 REAR CRANKCASE COVER

REF#	PART #	DESCRIPTION	QTY	2000	2001	2002	2003	2004
1	20025-SPR-00	COVER, REAR CRANKCASE	1	1	1	1	1	1
2	2003A4-SPR-00	CRANKCASE, REAR	1	1	1	1	1	1
3	90201-06006	BEARING (B6006)	1	1	1	1	1	1
4	2006A4-SPR-00	GEAR, DRIVE	1	1	1	1	1	1
5	2001A-SPR-00	SHIM, PINION	1	1	1	1	1	1
6	90330-06012	BOLT, FLANGE	2	2	2	2	2	2
7	91103-08012	PIN	2	2	2	2	2	2
8	90445-083J4	HOSE	1	1	1	1	1	1
9	90330-06012	PLUG STRAIGHT SREW	1	1	1	1	1	1
10	90330-08010	PLUG, OIL	1	1	1	1	1	1
11	90201-06005	BEARING (B6005)	1	1	1	1	1	1
12	20007-SPR-00	GEAR, FINAL DRIVEN	1	1	1	1	1	1
13	90401-440017	CIRCLIP	1	1	1	1	1	1
14	20085-SPR-00	AXLE, DRIVE	1	1	1	1	1	1
15	90201-06303	BEARING (B6303)	1	1	1	1	1	1
16	20095-SPR-00	HOUSING, BEARING	1	1	1	1	1	1
17	91801-40000	O RING	1	1	1	1	1	1
18	2010S-SPR-00	NUT	1	1	1	1	1	1
19	90900-29017	OIL SEAL	1	1	1	1	1	1
20	20100-SPR-00	OUTER COVER,RR.CRANKCASE	1	1	1	1	1	1



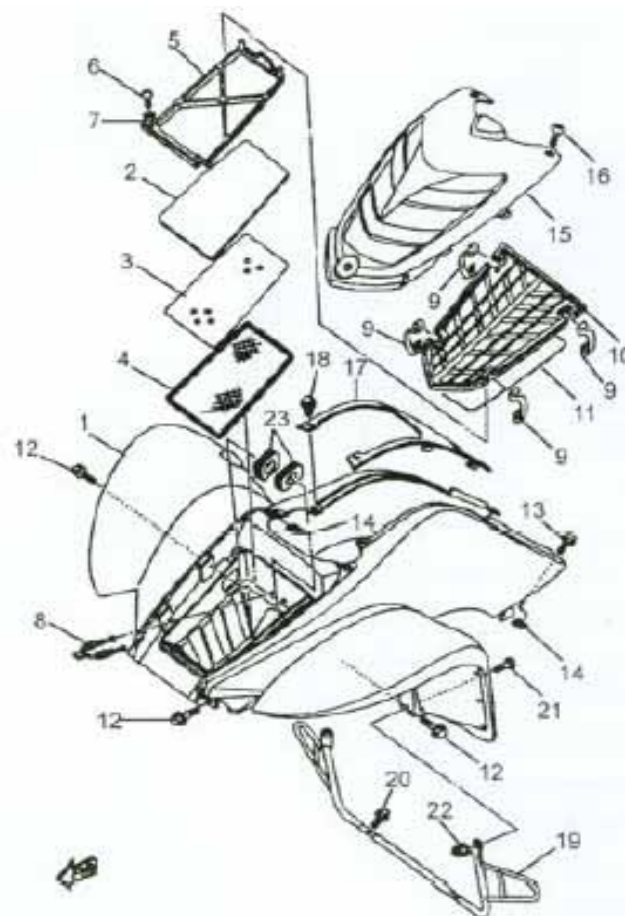
F01 FRAME

REF#	PART #	DESCRIPTION	QTY	2000	2001	2002	2003	2004
1	510105-LSN100	FRAME COMP	1	1	1	1	1	1
2	905789-080115	BOLT, FLANGE	1	1	1	1	1	1
3	905789-080105	BOLT, FLANGE	1	1	1	1	1	1
4	906187-080000	NUT, SELF-LOCKING	1	1	1	1	1	1
5	201003-LSN100	BUSH, SOLID	2	2	2	2	2	2
6	201004-LSN100	NIPPLE, GREASE	2	2	2	2	2	2
7	201002-LSN100	BUSH 1	1	1	1	1	1	1
8	201001-LSN100	PIPE	2	2	2	2	2	2
9	802000-LSN100	TOOL KIT	1	1	1	1	1	1



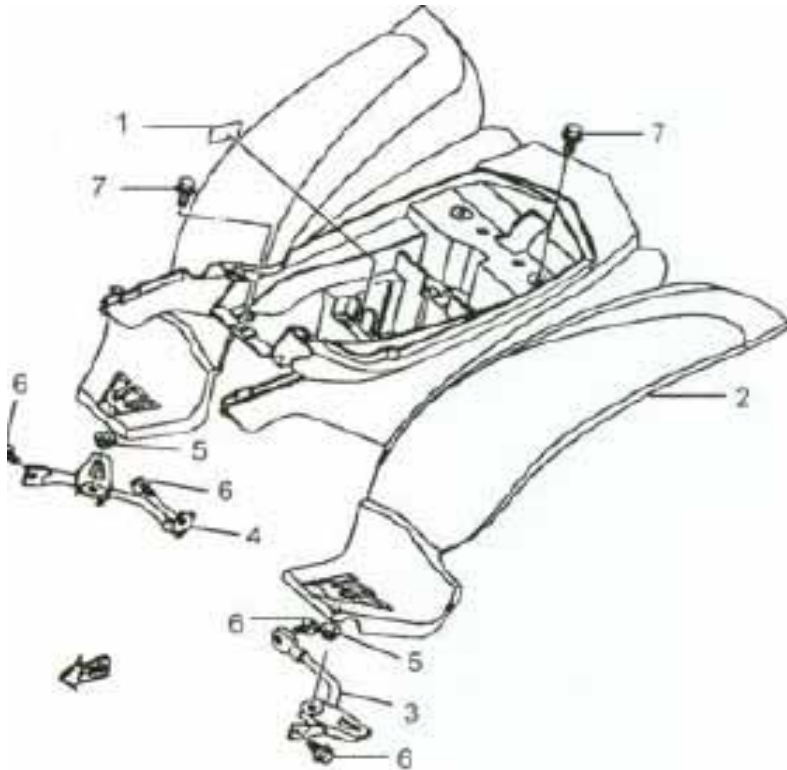
F02 FRONT FENDER

REF#	PART #	DESCRIPTION	QTY	2000	2001	2002	2003	2004
1	601040-LSN100	FRONT FENDER COMP	1	1	1	1	1	1
2	104002-LSN100	ELEMENT, AIR CLEANER	1	1	1	1	1	1
3	104005-LSN100	PLATE	1	1	1	1	1	1
4	104003-LSN100	PLATE, ELEMENT	2	2	2	2	2	2
5	104004-LSN100	GUIDE	1	1	1	1	1	1
6	908450-420016	SCREW TAPPING	1	1	1	1	1	1
7	909710-050000	WASHER	1	1	1	1	1	1
8	104011-LSN100	HOOK	1	1	1	1	1	1
9	104010-LSN100	HOOK	4	4	4	4	4	4
10	104001-LSN100	CAP, CLEANER CASE 1	1	1	1	1	1	1
11	104006-LSN100	SEAL	1	1	1	1	1	1
12	907414-060016	BOLT	3	3	3	3	3	3
13	907414-050016	BOLT, WITH WASHER	1	1	1	1	1	1
14	900503-LSN100	NUT, SPRING	1	1	1	1	1	1
15	601050-LSN100	FENDER, FRONT 2	1	1	1	1	1	1
16	905012-LSN100	BOLT, HEXAGON SOCKET HEAD	1	1	1	1	1	1
17	601020-LSN100	COVER, TOP	1	1	1	1	1	1
18	906020-LSN100	RIVET	1	1	1	1	1	1
19	701020-LSN100	STAY, FENDER 1	1	1	1	1	1	1
20	905789-060012	BOLT, FLANGE	1	1	1	1	1	1
21	901380-050018	SCREW, BINDING	1	1	1	1	1	1
22	906187-050000	NUT, SELF-LOCKING	1	1	1	1	1	1
23	104007-LSN100	DUCT	2	2	2	2	2	2



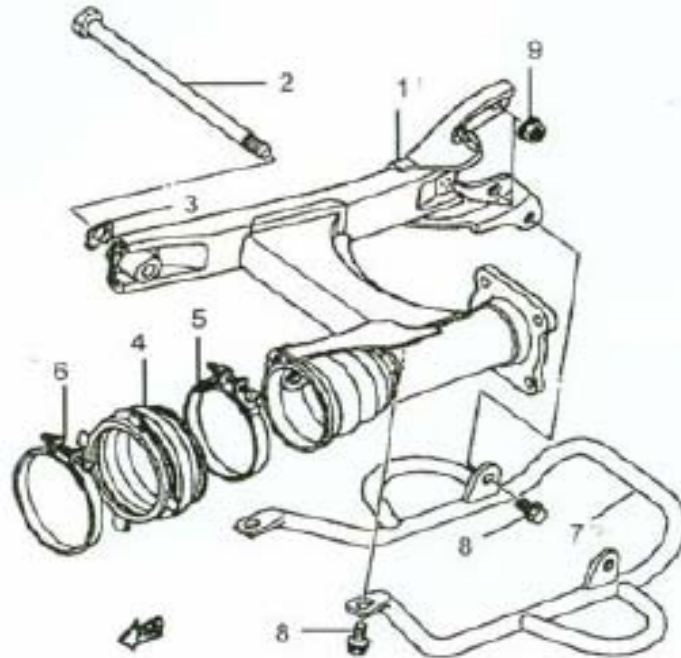
F03 REAR FENDER

REF#	PART #	DESCRIPTION	QTY	2000	2001	2002	2003	2004
1	301003-LSN100	PLATE, EPA 3 (CALIFORNIA)	1	1	1	1	1	1
2	601030-LSN100	REAR FENDER COMP	1	1	1	1	1	1
3	703010-LSN100	STAY FENDER 1	1	1	1	1	1	1
4	703020-LSN100	STAY FENDER 2	1	1	1	1	1	1
5	703001-LSN100	GROMMET	2	2	2	2	2	2
6	905789-080012	BOLT, FLANGE	4	4	4	4	4	4
7	907414-060016	BOLT,WITH WASHER	2	2	2	2	2	2



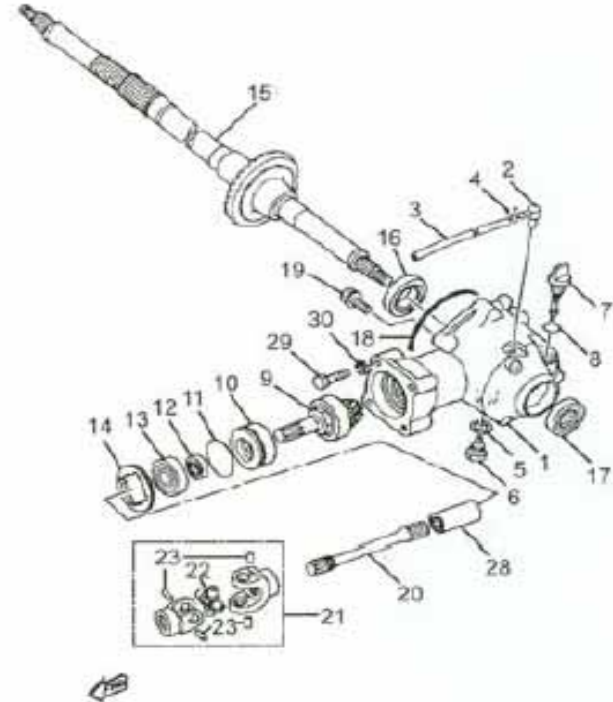
F04 REAR ARM

REF#	PART #	DESCRIPTION	QTY	2000	2001	2002	2003	2004
1	20200-LSN100	REAR ARM COMP	1	1	1	1	1	1
2	202010-LSN100	AXLE, WHEEL	1	1	1	1	1	1
3	202011-LSN100	WAHSER, PLATE	1	1	1	1	1	1
4	105011-LSN100	BOOT, RUBER	1	1	1	1	1	1
5	105012-LSN100	CLAMP, HOSE	1	1	1	1	1	1
6	105013-LSN100	CLAMP, HOSE	1	1	1	1	1	1
7	701030-LSN100	COVER	1	1	1	1	1	1
8	905789-080014	BOLT FLANGE	2	2	2	2	2	2
9	906187-100000	NUT, SELF-LOCKING	1	1	1	1	1	1



F05 DRIVE SHAFT

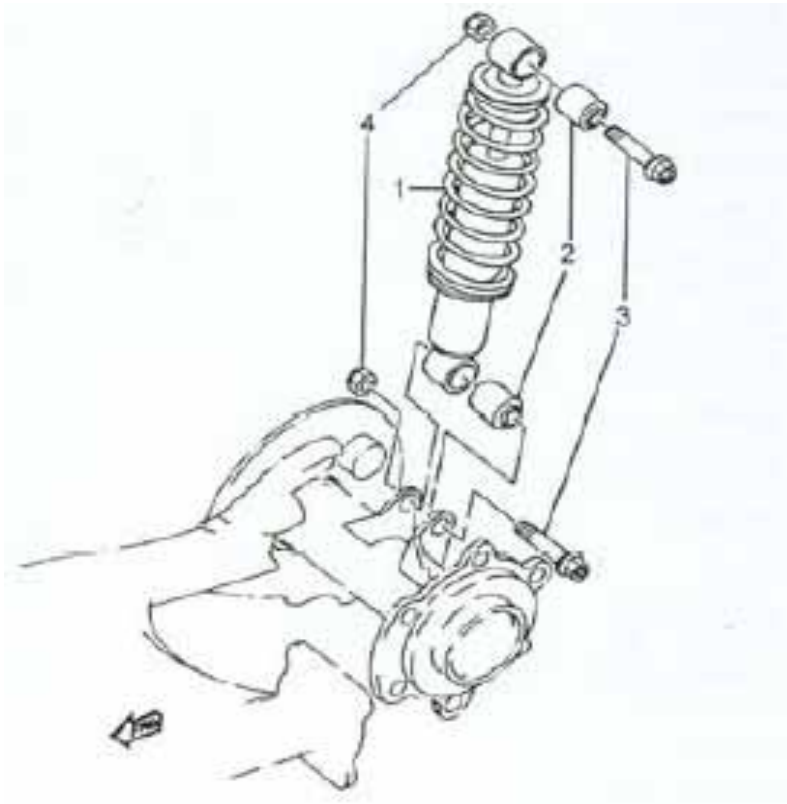
REF#	PART #	DESCRIPTION	QTY	2000	2001	2002	2003	2004
1	3GB-46151-00	HOUSING RIVE SHAT	1	1	1	1	1	1
2	105201-LSN100	BREATHER	1	1	1	1	1	1
3	105202-LSN100	HOSE (L1200)	1	1	1	1	1	1
4	90467-07029	CLIP	1	1	1	1	1	1
5	90340-14132	PLUG, STRAIGHT SCREW	1	1	1	1	1	1
6	214-11198-01	GASKET	1	1	1	1	1	1
7	3GB-46120-00	PLUG, OIL LEVEL	1	1	1	1	1	1
8	93210-14104	O-RING	1	1	1	1	1	1
9	3GB-46121-00	DRIVE PINION COMP	1	1	1	1	1	
	3JB-46121-11	DRIVE PINION COMP (REVERSE GEAR)	1					1
10	90560-23355	SPACER	1	1	1	1	1	1
11	93210-43713	O-RING	1	1	1	1	1	1
12	93102-17271	OIL SEAL	1	1	1	1	1	1
13	93306-30306	BEARING (B6303)	1	1	1	1	1	1
14	90179-55464	NUT	1	1	1	1	1	1
15	105001-LSN100	REAR SHAFT	1	1	1	1	1	
	105111-LSN100	REAR SHAFT (REVERSE GEAR)	1					1
16	93306-07801	BEARING	1	1	1	1	1	1
17	93102-28022	OIL SEAL	1	1	1	1	1	1
18	105008-LSN100	O-RING	1	1	1	1	1	1
19	95817-06016	BOLT, FLANGE	1	1	1	1	1	1
20	105002-LSN100	SHAFT, DRIVE	1	1	1	1	1	
	105111-LSN100	SHAFT, DRIVE (REVERSE GEAR)	1					1
21	106001-LSN100	CIRCLIP	1	1	1	1	1	1
22	2HX-46180-00	CROSS JOINT COMP	1	1	1	1	1	1
23	22F-46187-00	SPIDER	2	2	2	2	2	2
24	93311-20952	BEARING						
25	99009-17500	CIRCLIP						
26	93311-20952	BEARING						
27	99009-17400	CIRCLIP						
28	105003-LSN100	COUPLING, GEAR	1	1	1	1	1	1
29	90101-08461	BOLT	1	1	1	1	1	1
30	92907-08100	WASHER SPRING	1	1	1	1	1	1



ITEMS 24, 25, 26,27 HAVE BEEN CANCELED

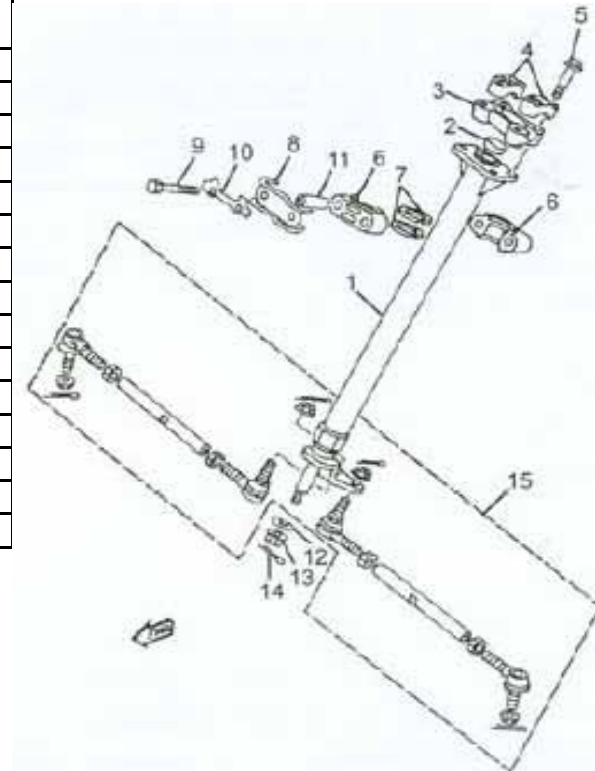
F06 REAR SUSPENSION

REF#	PART #	DESCRIPTION	QTY	2000	2001	2002	2003	2004
1	503020-LSN100	SHOCK ABSORBER ASSY REAR	1	1	1	1	1	1
2	503021-LSN100	BUSH, REAR SHOCK ABSORBER	2	2	2	2	2	2
3	905789-101048	BOLT, FLANGE	2	2	2	2	2	2
4	40200-LSN100	NUT, SELF-LOCKING	2	2	2	2	2	2



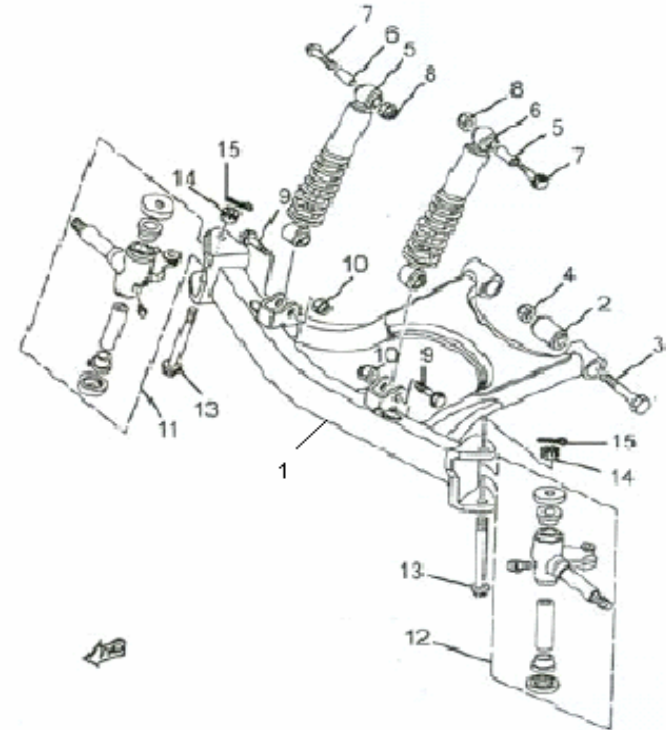
F07 STEERING

REF#	PART #	DESCRIPTION	QTY	2000	2001	2002	2003	2004
1	402000-LSN100	COLUMN STEERING 2	1	1	1	1	1	1
2	402005-LSN100	PLUG, TAPER	1	1	1	1	1	1
3	401020-LSN100	HOLDER, HANDLE UNDER	1	1	1	1	1	1
4	401010-LSN100	HOLDER, HANDEL	2	2	2	2	2	2
5	905789-08055	BOLT, FLANGE	1	1	1	1	1	1
6	402010-LSN100	PLANE BEARING, STEERING	2	2	2	2	2	2
7	402011-LSN100	OIL SEAL	1	1	1	1	1	1
8	402001-LSN100	BRACKET STEERING LOWER	1	1	1	1	1	1
9	905789-LSN100	BOLT, FLANGE	1	1	1	1	1	1
10	402002-LSN100	WASHER LOCK 1	1	1	1	1	1	1
11	402003-LSN100	COLLAR	1	1	1	1	1	1
12	9084801-101601	WASHER PLATE	1	1	1	1	1	1
13	906186-101000	NUT SELF LOCKING	1	1	1	1	1	1
14	909100-020020	PIN, COTTER	1	1	1	1	1	1
15	403000-LSN100	TIE ROD ASSY	1	1	1	1	1	1



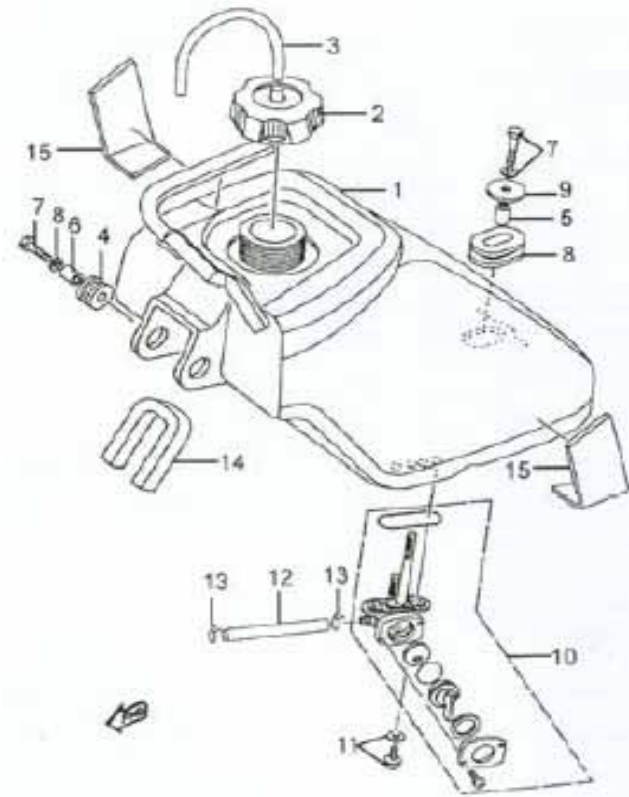
F08 FRONT SUSPENSION WHEEL

REF#	PART #	DESCRIPTION	QTY	2000	2001	2002	2003	2004
1	203000-LSN100	FRONT LOWER ARM COMP	1	1	1	1	1	1
2	203001-LSN100	BUSH 1	1	1	1	1	1	1
3	905782-121065	BOLT	1	1	1	1	1	1
4	906186-121000	NUT, SELF-LOKING	1	1	1	1	1	1
5	503010-LSN100	SHOCK ABSORBER ASY	2	2	2	2	2	2
6	503011-LSN100	COLLAR DISTANCE	2	2	2	2	2	2
7	905789-01040	BOLT FLANGE	2	2	2	2	2	2
8	906187-101000	NUT SELF LOCKING	1	1	1	1	1	1
9	905789-121043	BOLT FLANGE	2	2	2	2	2	2
10	906187-121000	NUT SEL LOCKING	2	2	2	2	2	2
11	408200-LSN100	STEERING KNUCKLE ASSY R	1	1	1	1	1	1
12	408100-LSN100	STEERING KNUCKLE ASSY L	1	1	1	1	1	1
13	903130-101104	BOLT	2	2	2	2	2	2
14	906181-101000	NUT, CASTLE	2	2	2	2	2	2
15	909100-020020	PIN, COTTER	2	2	2	2	2	2



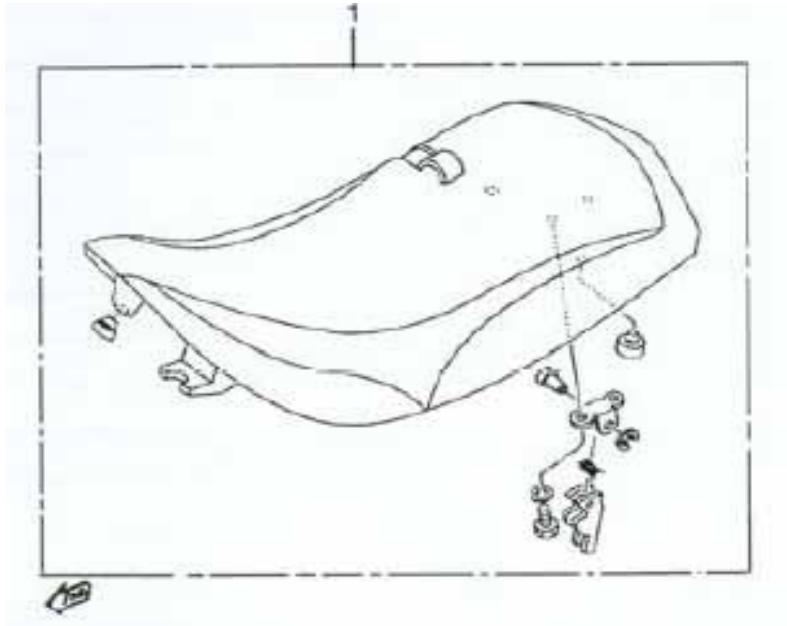
F09 FUEL TANK

REF#	PART #	DESCRIPTION	QTY	2000	2001	2002	2003	2004
1	603000-LSN100	FUEL TANK COMP	1	1	1	1	1	1
2	603010-LSN100	CAP ASSY	1	1	1	1	1	1
3	603011-LSN100	HOSE (L340)	1	1	1	1	1	1
4	603005-LSN100	GROMMET	1	1	1	1	1	1
5	603004-LSN100	COLLAR	1	1	1	1	1	1
6	603003-LSN100	COLLAR	1	1	1	1	1	1
7	907415-060030	BOLT	2	2	2	2	2	2
8	603006-LSN100	GROMMET	2	2	2	2	2	2
9	905287-063002	WASHER PLATE	1	1	1	1	1	1
10	603020-LSN100	FUEL COCK ASSY 1	1	1	1	1	1	1
11	9074103-060016	SCREW	1	1	1	1	1	1
12	603007-LSN100	HOSE (L145)	1	1	1	1	1	1
13	603008-LSN100	CLIP	2	2	2	2	2	2
14	603002-LSN100	DAMPER LOCATING 1	1	1	1	1	1	1
15	603001-LSN100	DAMPER	2	2	2	2	2	2



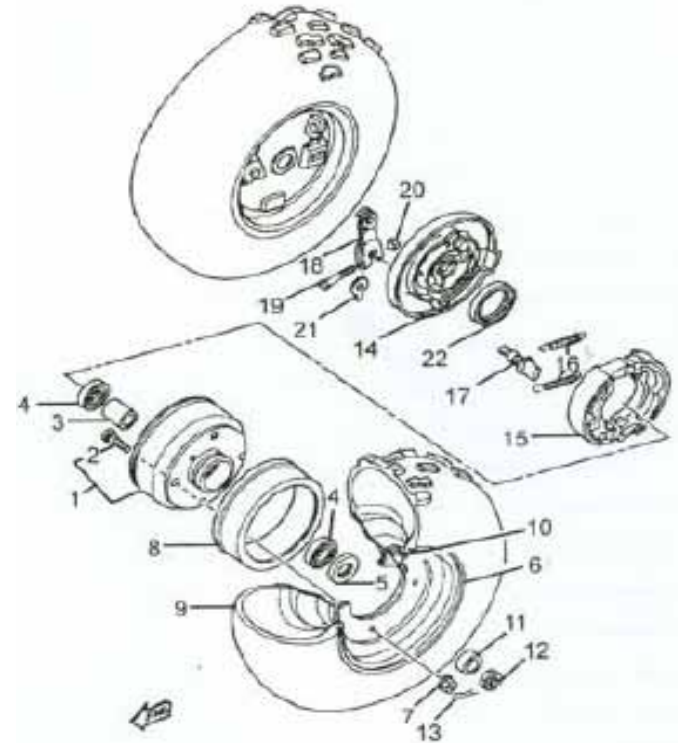
F10 SEAT

REF#	PART #	DESCRIPTION	QTY	2000	2001	2002	2003	2004
1	604000-LSN100	SINGLE SEAT ASSY	1	1	1	1	1	1



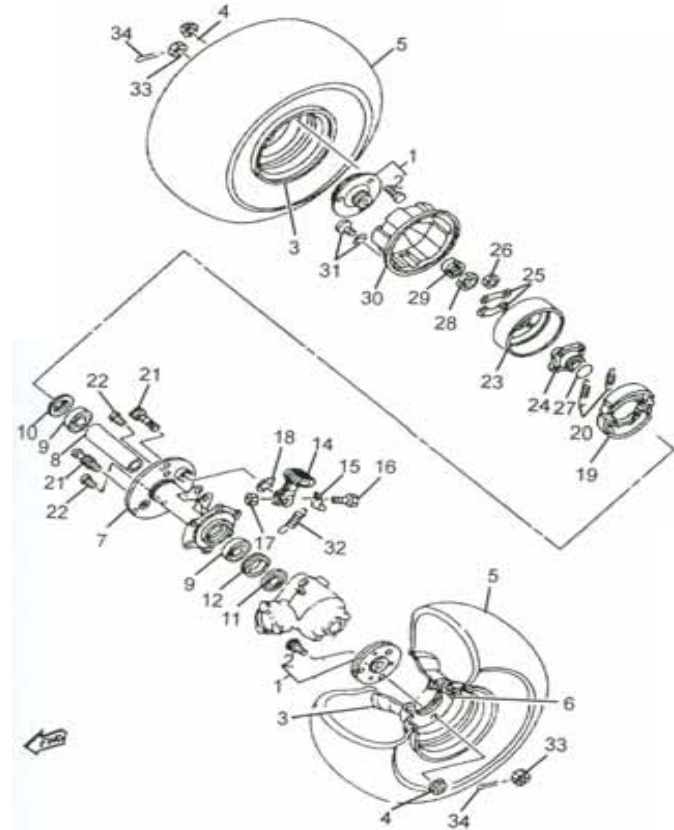
F11 FRONT WHEEL

REF#	PART #	DESCRIPTION	QTY	2000	2001	2002	2003	2004
1	501030-LSN100	HUB FRONT	1	1	1	1	1	1
2	501031-LSN100	BOLT	1	1	1	1	1	1
3	501032-LSN100	SPACER BEARING	1	1	1	1	1	1
4	501033-LSN100	BEARING (B6003)	1	1	1	1	1	1
5	501034-LSN100	OIL SEAL	1	1	1	1	1	1
6	410111-LSN100	WHEEL COMP	1	1	1	1	1	1
7	906177-080000	NUT, FLANGE	1	1	1	1	1	1
8	501035-LSN100	RING 1	1	1	1	1	1 <td 1	
9	410900-LSN100	TIRE (AT18X7-7*KT586T/L N)	1	1	1	1	1	1
10	410901-LSN100	VALVE RIM	1	1	1	1	1	1
11	501036-LSN100	COLLAR	1	1	1	1	1	1
12	906181-202000	NUT, CASTLE	1	1	1	1	1	1
13	909100-350040	PIN, COTTER	1	1	1	1	1	1
14	501041-LSN100	PLATE, BRAKE SHOE	1	1	1	1	1	1
15	501042-LSN100	BRAKE. SHOE SET	1	1	1	1	1	1
16	501043-LSN100	SPRING,TENSION	2	2	2	2	2	2
17	501044-LSN100	CAMSHAFT	1	1	1	1	1	1
18	501045-LSN100	LEVER, CAMSHAFT 1	1	1	1	1	1	1
19	905782-060030	BOLT	1	1	1	1	1	1
20	906170-060000	NUT	1	1	1	1	1	1
21	501046-LSN100	PLATE, INDICATOR	1	1	1	1	1	1
22	501047-LSN100	OIL SEAL.	1	1	1	1	1	1



F12 REAR WHEEL

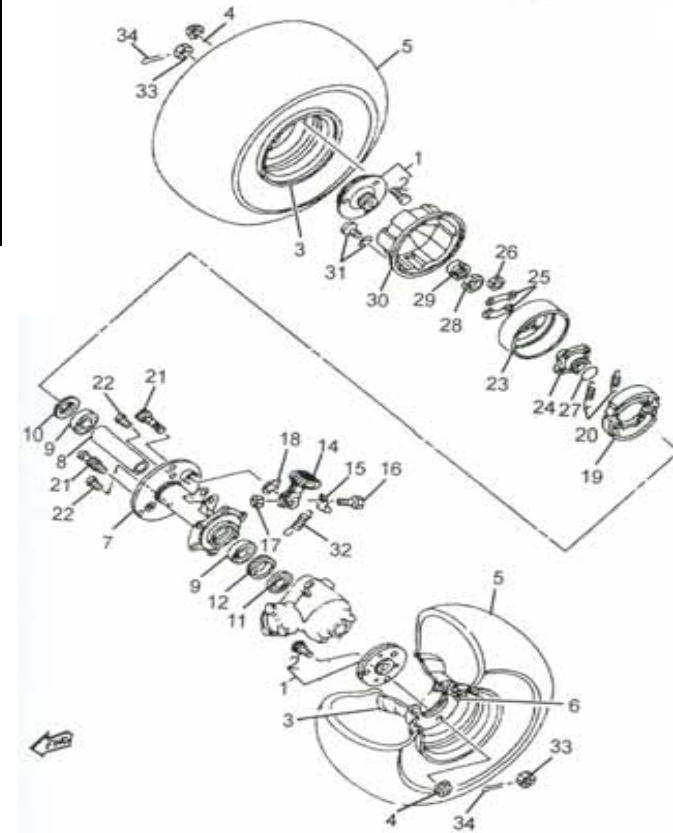
REF#	PART #	DESCRIPTION	QTY	2000	2001	2002	2003	2004
1	502040-LSN100	COLLAR WHEEL	2	2	2	2	2	2
2	502041-LSN100	BOLT	2	2	2	2	2	2
3	410201-LSN100	REAR WHEEL COMP	2	2	2	2	2	2
4	906177-080000	NUT, FLANGE	2	2	2	2	2	2
5	420900-LSN100	TIRE (AT18X8-7**KT587T/L N)	2	2	2	2	2	2
6	410901-LSN100	VALVE, RIM	2	2	2	2	2	2
7	204001-LSN100	HUB REAR	1	1	1	1	1	1
8	204016-LSN100	SPACER BEARING	1	1	1	1	1	1
9	204005-LSN100	BEARING	2	2	2	2	2	2
10	204006-LSN100	OIL SEAL	1	1	1	1	1	1
11	204007-LSN100	OIL SEAL	1	1	1	1	1	1
12	204008-LSN100	NUT AXLE	1	1	1	1	1	1
13	204013-LSN100	CAMSHAFT						
14	204002-LSN100	LEVER, CAMSHAFT	1	1	1	1	1	1
15	204009-LSN100	HOOK SPRING	1	1	1	1	1	1
16	905782-060030	BOLT	1	1	1	1	1	1
17	906170-060000	NUT	1	1	1	1	1	1
18	204011-LSN100	PLATE, INDICATOR	1	1	1	1	1	1
19	204003-LSN100	BRAKE SHOE SET	1	1	1	1	1	1
20	204004-LSN100	SPRING TENSION	2	2	2	2	2	2
21	204014-LSN100	PIN PIVOT	2	2	2	2	2	2
22	204015-LSN100	BOLT, SEPARATION	2	2	2	2	2	2
23	502030-LSN100	DRUM BRAKE	1	1	1	1	1	1
24	105005-LSN100	BOSS	1	1	1	1	1	1
25	402032-LSN100	WASHER	2	2	2	2	2	2
26	906170-080000	NUT	1	1	1	1	1	1



CONITNUED NEXT PAGE

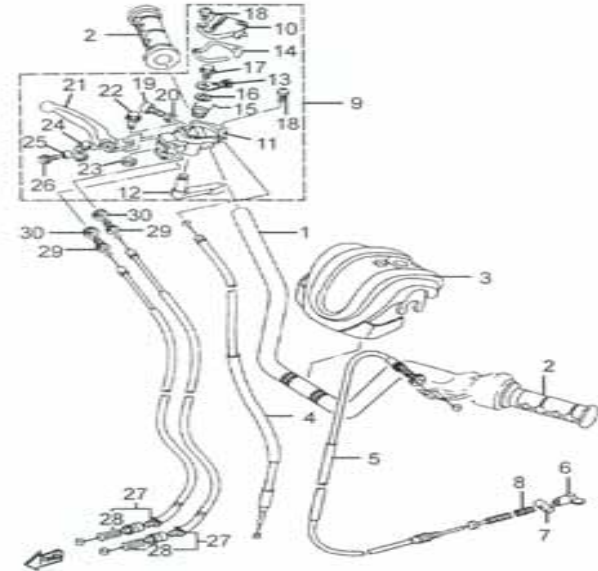
F12 REAR WHEEL

REF#	PART #	DESCRIPTION	QTY	2000	2001	2002	2003	2004
27	105009-LSN100	O-RING	1	1	1	1	1	1
28	105006-LSN100	NUT	1	1	1	1	1	1
29	105007-LSN100	NUT	1	1	1	1	1	1
30	502031-LSN100	COVER 1	1	1	1	1	1	1
31	907403-060012	SCREW, PAN HEAD	1	1	1	1	1	1
32	704001-LSN100	SPRING TENSION	1	1	1	1	1	1
33	906181-140200	NUT CASTLE	1	1	1	1	1	1
34	909100-350040	PIN COTTER	1	1	1	1	1	1



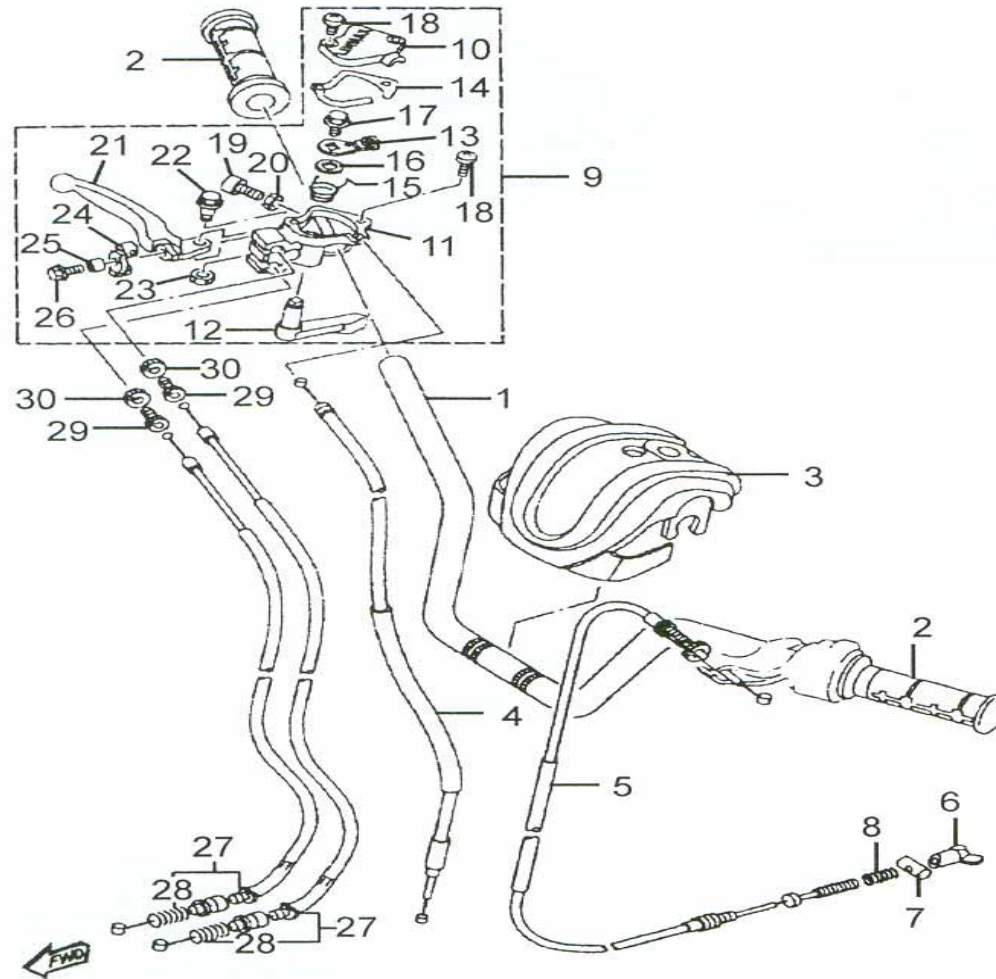
F13 STEERING HANDLE CABLE

REF#	PART #	DESCRIPTION	QTY	2000	2001	2002	2003	2004
1	401000-LSN100	HANDLEBAR	1	1	1	1	1	1
2	401001-LSN100	GRIP	2	2	2	2	2	2
3	601010-LSN100	PROTECTOR, HANDELBAR	1	1	1	1	1	1
4	405010-LSN100	CABLE THROTTLE 1	1	1	1	1	1	1
5	405030-LSN100	CABLE BRAKE	1	1	1	1	1	1
6	405031-LSN100	NUT ADJUSTING	1	1	1	1	1	1
7	405032-LSN100	SPRING COMPRESSION	1	1	1	1	1	1
8	405033-LSN100	PIN	1	1	1	1	1	1
9	405200-LSN100	THROTTLE LEVER ASSY	1	1	1	1	1	1
10	405201-LSN100	CAP GEAR	1	1	1	1	1	1
11	405202-LSN100	BODY THROTTLE	1	1	1	1	1	1
12	405203-LSN100	LEVER THROTTLE	1	1	1	1	1	1
13	405204-LSN100	ARM THROTTLE	1	1	1	1	1	1
14	405205-LSN100	GASKET	1	1	1	1	1	1
15	405206-LSN100	SPRING TORSION	1	1	1	1	1	1
16	908480-122002	WASHER PLATE	1	1	1	1	1	1
17	905789-080012	BOLT FLANGE	1	1	1	1	1	1
18	908180-040010	SCREW PAN HEAD	1	1	1	1	1	1
19	905782-050016	BOLT FOANGE	1	1	1	1	1	1
20	901670-050000	NUT'	1	1	1	1	1	1
21	405207-LSN100	LEVER 2	1	1	1	1	1	1
22	405208-LSN100	BOLT FLANGE	1	1	1	1	1	1
23	906170-06000	NUT, U	1	1	1	1	1	1
24	405209-LSN100	JOINT CABLE	1	1	1	1	1	1
25	405210-LSN100	COLLAR	1	1	1	1	1	1
26	905787-060016	BOLT FLANGE	1	1	1	1	1	1
27	405020-LSN100	CABLE BRAKE	2	2	2	2	2	2
28	405021-LSN100	SPRING COMPRESSION	2	2	2	2	2	2
29	405211-LSN100	BOLT	2	2	2	2	2	2
30	405212-LSN100	NUT	2	2	2	2	2	2



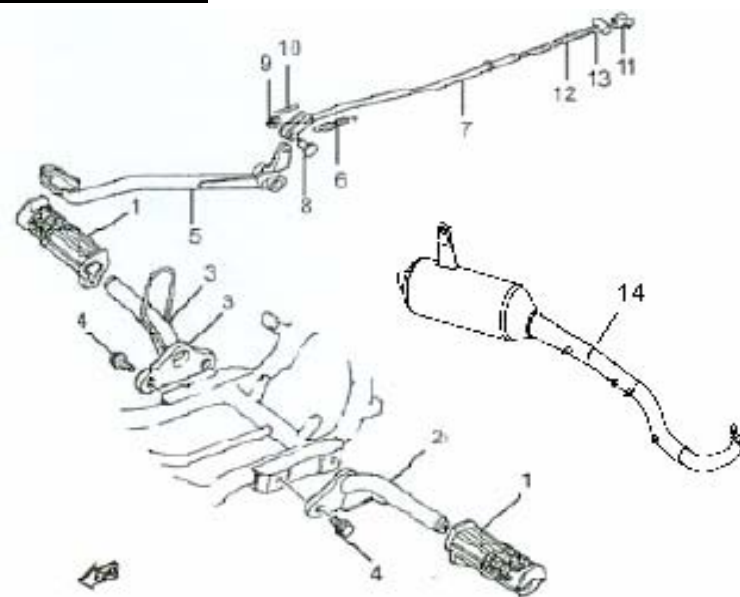
ENLARGED FIGURE
NEXT PAGE

F13 STEERING HANDLE. CABLE



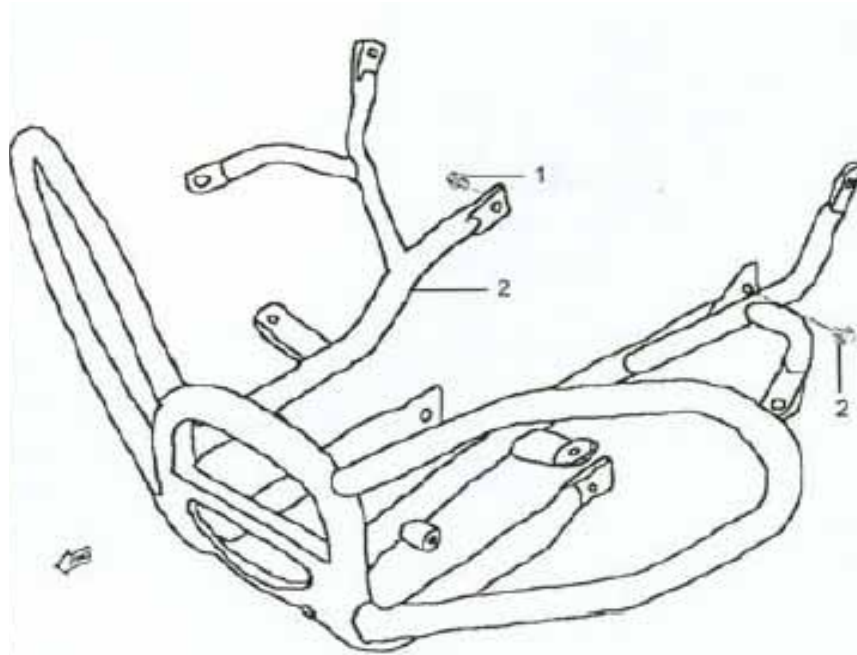
F14 STAND FOOTREST

REF#	PART #	DESCRIPTION	QTY	2000	2001	2002	2003	2004
1	703001-LSN100	COVER FOOTREST	2	2	2	2	2	2
2	703010-LSN100-1	FOOTREST 1	1	1	1	1	1	1
3	703020-LSN100-1	FOOTREST 2	2	2	2	2	2	2
4	905789-121025	BOLT, FLANGE	2	2	2	2	2	2
5	440203-LSN100	PEDAL BRAKE	1	1	1	1	1	1
6	704001-LSN100	SPRING TENSION	1	1	1	1	1	1
7	440100-LSN100	ROD BRAKE	1	1	1	1	1	1
8	440101-LSN100	PIN CLEVIS	1	1	1	1	1	1
9	440102-LSN100	WASHER	1	1	1	1	1	1
10	440103-LSN100	PIN COTTER	1	1	1	1	1	1
11	440104-LSN100	NUT ADJUSTING	1	1	1	1	1	1
12	440105-LSN100	SPRING COMPRESSION	1	1	1	1	1	1
13	440106-LSN100	PIN	1	1	1	1	1	1
14	14711-SPR-00	EXHAUST PIPE	1	1	1	1	1	1



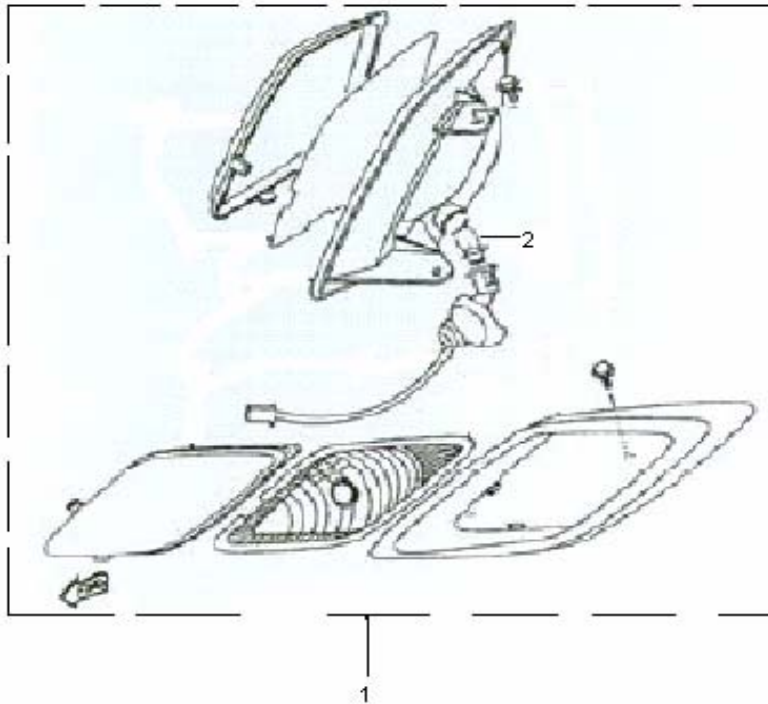
F15 GUARD

REF#	PART #	DESCRIPTION	QTY	2000	2001	2002	2003	2004
1	701010-LSN100	BAR, CARRY FRONT	1	1	1	1	1	1
2	905789-80012	BOLT FLANGE	2	2	2	2	2	2



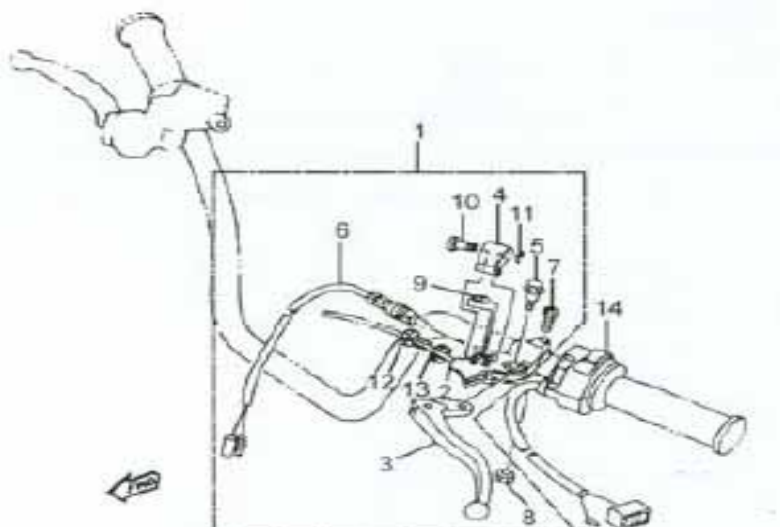
F16 HEADLIGHT

REF#	PART #	DESCRIPTION	QTY	2000	2001	2002	2003	2004
1	PUMREPTILE00011	HEADLIGHT ASSEMBLY (BLACK)	1	1	1	1	1	
	PUMREPTILE00022	HEADLIGHT ASSEMBLY (CHROME)	1					1
2	306014-LSN 100	HEADLIGHT BULB	1	1	1	1	1	1



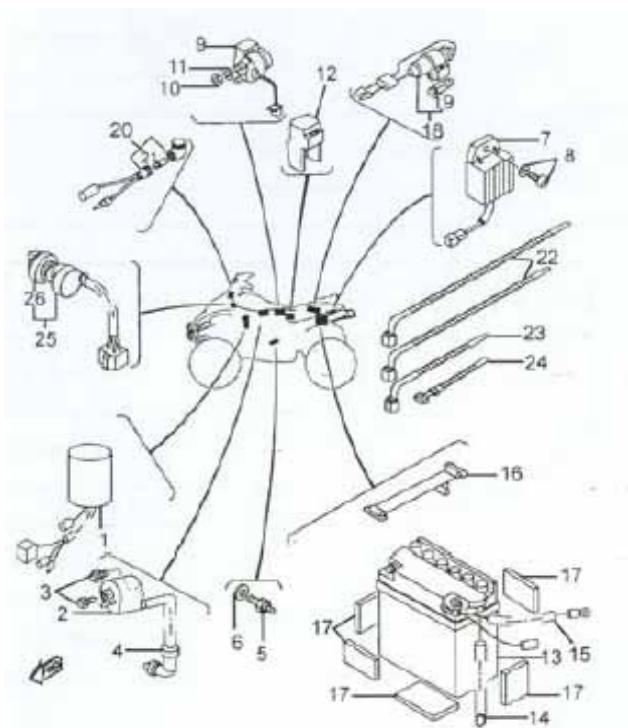
F17 HANDLE SWITCH LEVER

REF#	PART #	DESCRIPTION	QTY	2000	2001	2002	2003	2004
1	405100-LSN100	LEVER HOLDER ASSY (LEFT)		1	1	1	1	1
2	405101-LSN100	HOLDER, LEVER 1	1	1	1	1	1	1
3	405102-LSN100	LEVER 1	1	1	1	1	1	1
4	405103-LSN100	LEVER LOCK	1	1	1	1	1	1
5	405104-LSN100	BOLT	1	1	1	1	1	1
6	405105-LSN100	FRONT STOP SWITCH ASSY	1	1	1	1	1	1
7	905787-060020	SCREW PAN HEAD'	1	1	1	1	1	1
8	906187-060000	NUT U	1	1	1	1	1	1
9	405106-LSN100	SPRING RETURN	1	1	1	1	1	1
10	405107-LSN100	PIN LOCK	1	1	1	1	1	1
11	405108-LSN100	RING SNAP	1	1	1	1	1	1
12	405109-LSN100	BOLT	1	1	1	1	1	1
13	405110-LSN100	NUT U	1	1	1	1	1	1
14	305000-LSN100	SWITCH HANDLE 2	1	1	1 </tr			



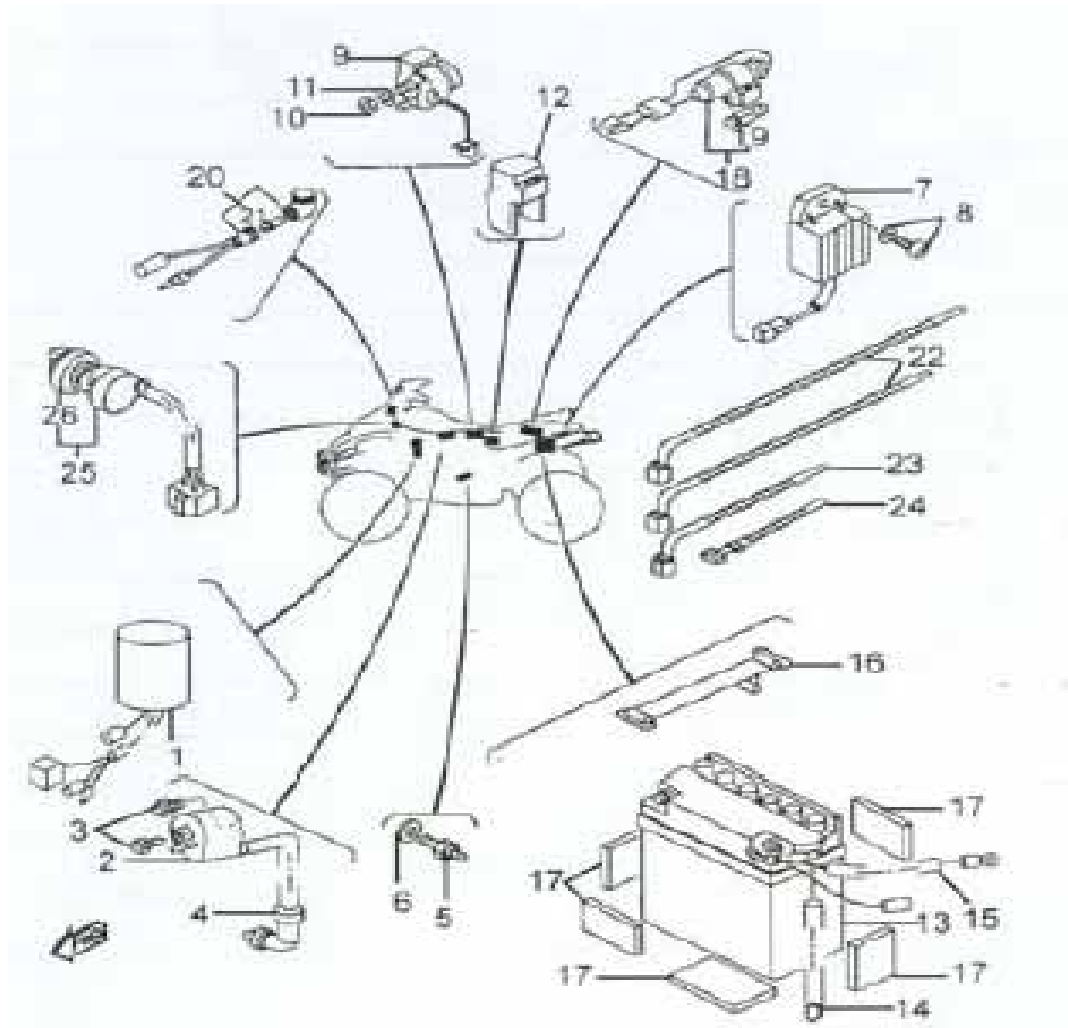
F18 ELECTRICAL 1

REF#	PART #	DESCRIPTION	QTY	2000	2001	2002	2003	2004
1	303010-LSN100	C.D.I UNIT ASSY	1	1	1	1	1	1
2	303030-LSN100	IGNITION COIL ASSY	1	1	1	1	1	1
3	907407-060016	SCREW HEXAGON	2	2	2	2	2	2
4	303031-LSN100	PLUG CAP ASSY	1	1	1	1	1	1
5	308000-LSN100	NEUTRAL SWITCH ASSY	1	1	1	1	1	1
6	308001-LSN100	SPRING STOP SWITCH	1	1	1	1	1	1
7	303020-LSN100	RECTIFIER Y REGULATOR ASSY	1	1	1	1	1	1
8	907407-060016	SCREW PAN HEAD	1	1	1	1	1	1
9	303040-LSN100	STARTER RELAY ASSY	1	1	1	1	1	1
10	906170-060000	NUT	1	1	1	1	1	1
11	909300-060000	WASHER SPRING	1	1	1	1	1	1
12	303050-LSN100	RELAY ASSY	1	1	1	1	1	1
13	301000-LSN100	BATTERY ASSY	1	1	1	1	1	1
14	301002-LSN100	HOSE (L450)	1	1	1	1	1	1
15	301004-LSN100	WIRE, PLUS LEAD	1	1	1	1	1	1
16	301003-LSN100	BAND BATTERY	1	1	1	1	1	1
17	301005-LSN100	SEAT BATTERY	5	5	5	5	5	5
18	301010-LSN100	FUSE HOLDER ASSY	1	1	1	1	1	1
19	301011-LSN100	FUSE (5A)	1	1	1	1	1	1
20	302005-LSN100	PILOT LIGHT ASSY	1	1	1	1	1	1
21	302006-LSN100	BULB (14V-1.7W)	1	1	1	1	1	1
22	302011-LSN100	CLAMP HOSE	2	2	2	2	2	2
23	302012-LSN100	CLAMP	1	1	1	1	1	1
24	302013-LSN100	BAND SWITCH CORD	1	1	1	1	1	1
25	304010-LSN100	MAIN SWITCH ASSY	1	1	1	1	1	1
26	304011-LSN100	CAP KEY	1	1	1	1	1	1



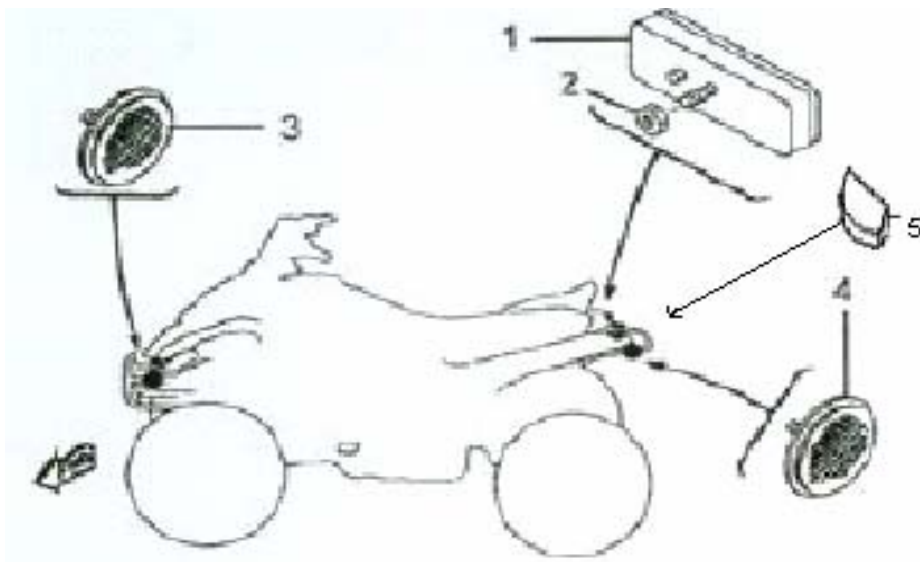
ENLARGED FIGURE
NEXT PAGE

F18 ELECTRICAL 1



F19 ELECTRICAL 2

REF#	PART #	DESCRIPTION	QTY	2000	2001	2002	2003	2004
1	602030-LSN100	REAR REFLECTOR ASSY	1	1	1	1	1	1
2	905187-060000	NUT	1	1	1	1	1	1
3	602010-LSN100	REFLECTOR FRONT 1	1	1	1	1	1	1
4	602020-LSN100	REFLECTOR REAR	1	1	1	1	1	1
5	307000-LSN100	TAIL LIGHT ASSY	1	1	1	1	1	1





www.umamerica.com

© 2004 UNITED MOTORS OF AMERICA, INC.