

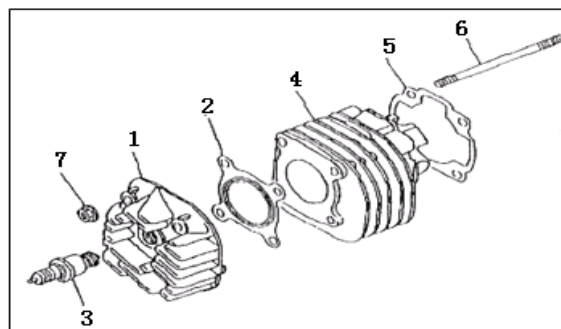
QJ1E40QMB(老)JCK(Q07-01)-QJ50QT-5-1C(1010201.00401)

目录

- 1 [气缸总成](#) 仿欧II汽缸盖，火花塞型号：BR8HS 借用
- 2 [曲轴箱分总成](#)
- 3 [侧盖分总成](#) 正常型带塑料罩壳，侧盖光板，塑料借用
- 4 [活塞连杆曲轴分总成](#) 欧I销孔加大(轴承TPI) 借用
- 5 [机油泵分总成](#) 带拉线50CC (打502标记)，进油管借用
- 6 [导风罩分总成](#) 外露件镀铬 借用
- 7 [起动分总成B](#) 马达线长：340~350 借用
- 8 [传动机构总成](#) 离合器滚珠重量5克，结构为左半(借用
- 9 [变速系统分总成](#) 40中间轴，40输出轴 借用
- 10 [进气阀分总成](#) 正常型，双开、正常，进气管正常型借用
- 11 [磁电机总成](#) 15° 借用
- 12 [化油器总成](#) 三国，主量孔70，不限速，无加热器借用
- 13 附件：高压包、点火器、油箱开关

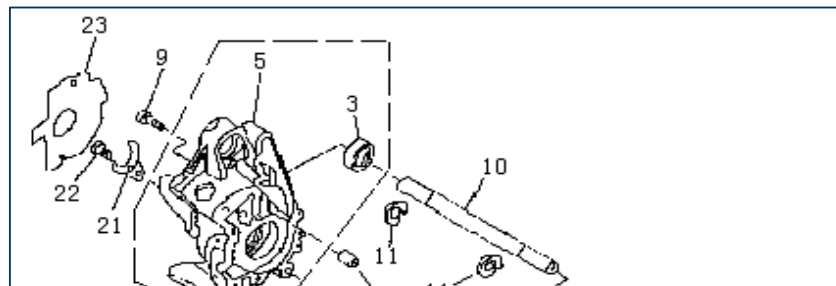
1 气缸总成 (40-1) C YLINDER HEAD ASSY状态：仿欧II汽缸盖，火花塞型号：BR8HSA，缸盖螺母：正常型,非石棉垫片

NO	PARTS NO.	QJ CODE	DESCRIPTION	QTY
1	1E40-1-1A	30701B01F00A	HEAD , CYLINDER	1
2	40-1-2	30507B01F000	GASKET , CYLINDER HEAD	1
3	52-1.2	201204.013000	SPARK PLUG	1
4	1E40-1-3A	27101B01F00A	CYLINDER	1
5	40-1-4	204204.001000	GASKET , CYLINDER	1
6	40-2-10	26107B01F910	STUD BOLT	4
7	50-2-9	304290700062	NUT	4

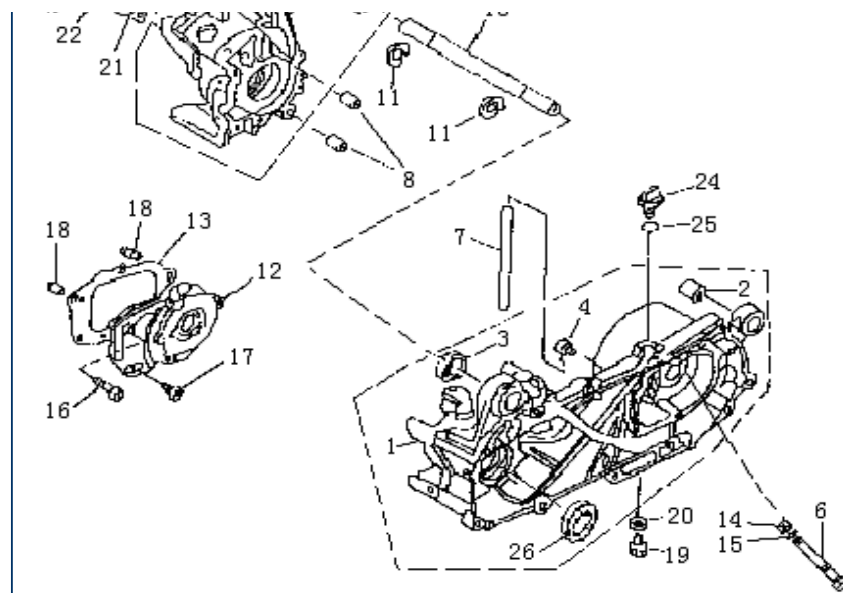


2 曲轴箱分总成 (40-2 £ 40-7) B CRANKCASE ASSY

序号	图号	代码	DESCRIPTION	数量
NO	PARTS NO.	CODE	DESCRIPTION	QTY
1	40-2-12	26100B01F000	CRANKCASE , LH	1
2	50-2.1	26108G02F000	BUSH,ENGINE MOUNTING	1

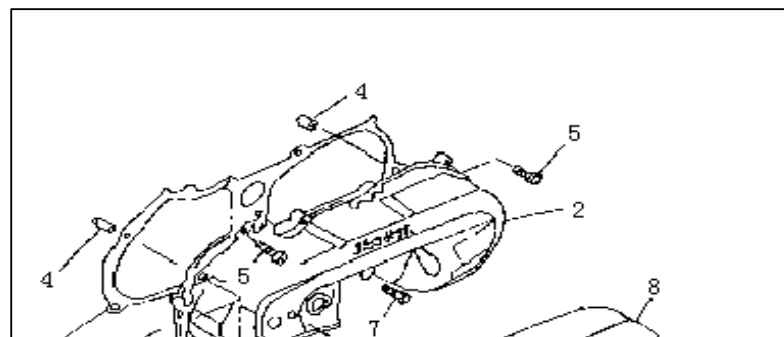


3	GB/T276-1994	B12046600300	bearing	2
4	50-2-7	26126G02F000	BREATHER PLUG	1
5	40-7-1	26200B01F000	CRANKCASE , RH	1
6	50-16-2	26142G02F000	BRAKE SHOE ANCHOR PIN ASSY	1
7	50-2-6	26105G02F000	HOSE	1
8	50-2-15	26123G02F000	DOWEL PIN	2
9	GB/T823-1988	302270603562	SCREW	6
10	40-7-5	26109B01F000	AXLE,engine mount	1
11	GB/T894.1-1986	B08010001700	CIRCLIP	2
12	50-5.1.1-1	18101G02F001	COVER, GEAR BOX	1
13	50-0-2	214201.001000	GASKET , GEAR BOX	1
14	GB/T6177-2000	B04070812553	NUT	1
15	50-16-1	26143G02F000	O RING	1
16	GB/T16674-1986	B01070603063	SCREW	2
17	GB/T16674-1986	B01070602263	SCREW	3
18	157.4-6	26208J01F000	DOWEL PIN	2
19	50-2-2	301310801605	FLANGE BOLT	1
20	153FM-0900003	18105H03F000	WASHER	1
21	50-7-4	26214G02F000	HOLDER	1
22	GB/T16674-1986	301310601262	SCREW M6X12	1
23	50-7-3	206321.001000	GASKET	1
24	50-2-3	206407.004083	OIL PLUG	1
25	50-2-4	26102G02F000	O-RING	1
26	50-2-13	26112G02F000	SHAFT COLLAR	1

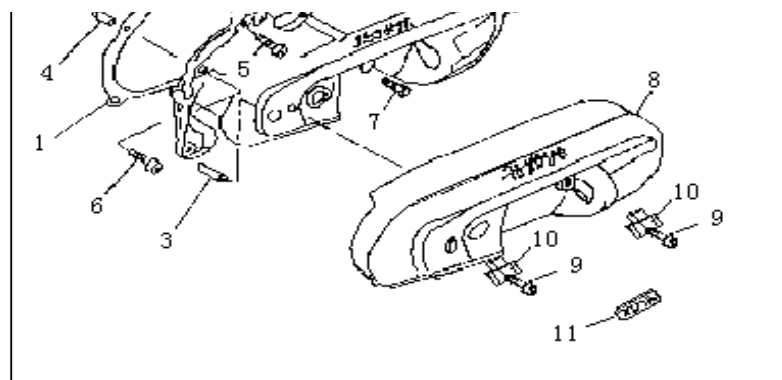


3 侧盖分总成 (50-3-1J) SIDECOVER ASSY非石棉垫片, 标贴VENICE, 带塑料罩盖

序号	图号	代码	DESCRIPTION	数量
NO	PARTS NO.	CODE	DESCRIPTION	QTY
1	50-0-1	207208.009000	GASKET , SIDE COVER	1
2	50-3-1	207200.048000	SIDE COVER	1
3	50-2-8	26128G02F000	SHAFT	1



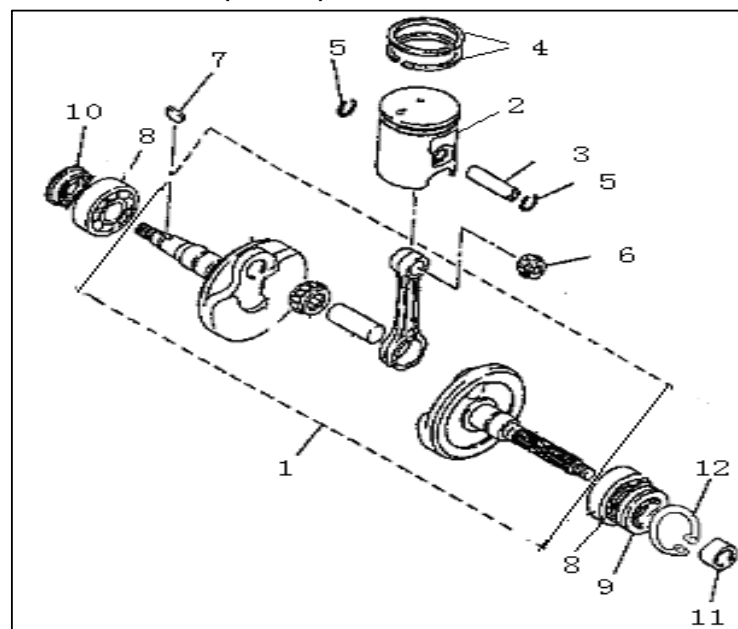
4	157.4-6	26208J01F000	DOWEL PIN	2
5	GB/T16674-86	302270602565	SCREW M6X25	8
6	GB/T16674-86	302270603565	SCREW	2
7	GB/T16674-86	302270606565	PAN HEAD SCREW	1
8	50-3.0.4	14300G02F000	PROTECTING COVER	1
9	50-3-4	14112G02F000	SCREW	2
10	50-3-5	14113G02F000	NUT BUSH,rubber	2
11			LABEL	1



4 活塞连杆曲轴分总成 (QJ1E40MB.8B)

PISTON CRANKSHAFT CONNECTING ROD ASSY 欧I销孔加大(轴承TPI)

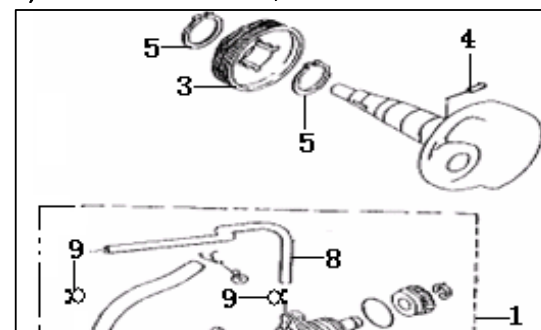
序号	图号	代码	DESCRIPTION	数量
NO	PARTS NO.	QJ CODE	DESCRIPTION	QTY
1	QJ1E40MB.8.1	208100.022000	CRANKSHAFT , ASSY	1
2	40-4.2B	15100B01F00B	PISTON ASSY	1
3	QJ1E40MB.8-2	15105B16F000	PISTON PIN	1
4	40-4-5	15103B01F000	PISTON RING ASSY	2
5	50-4-4	15111G02F000	CIRCLIP	2
6	QJ1E40MB.8.2	15110B16F000	NEEDLE BEARING	1
7	GB/T1099-1979	15101B01F000	WOODRUFF KEY	1
8	GB/T276-1994	B12016620453	BALL BEARING	2
9	50-2-14	15213G02F000	OIL SEAL	1
10	50-7-2	26215G02F000	OIL SEAL ASSY	1
11	50-4-2	15214G02F000	COLLAR	1
12	50-2-16	17308G02F000	CIRCLIP	1



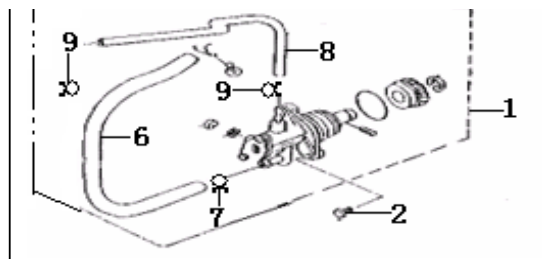
5 机油泵分总成 (QJ1E40QMB-4.10B)

OIL PUMP ASSY 状态：带拉线50CC (打502标记) 进油管长度：760±5，出油管长度：280±5

序号	图号	代码	DESCRIPTION	数量
NO	PARTS NO.	QJ CODE	DESCRIPTION	QTY
1	QJ1E40QMB-4.1	219101.012000	OIL PUMP ASSY	1
2	GB/T823-2000	B02000501463	SCREW	2
3	50-4-6	15211G02F000	PUMP DRIVE GEAR	1

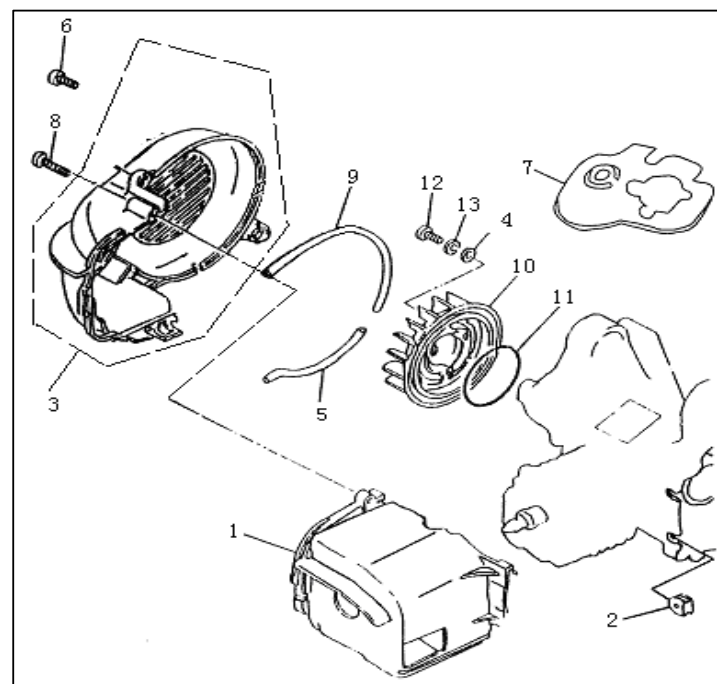


4	GB/T119-2000	B090103014C0	PIN	1
5	50-4-7	15106G02F910	CIRCLIP	2
6	QJ1E40QMB-4.1(221405.102000		HOSE,OIL INLET	1
7	50-0.0.2-2A	19213G02F00A	HOSE CLIP	2
8	QJ1E40QMB-4.1(221405.101000		HOSE,OIL OUTLET	1
9	50-0.0.3-2A	19217G02F00A	HOSE CLIP	2



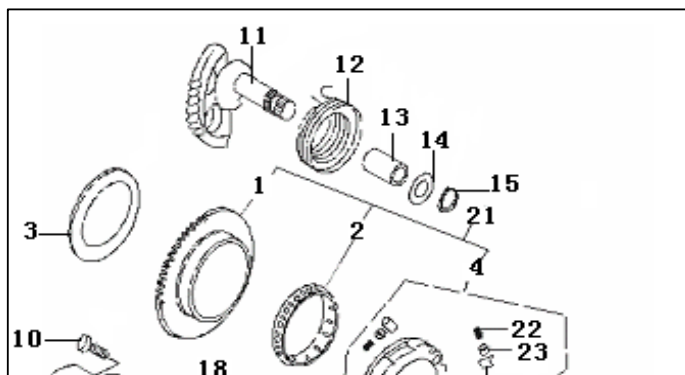
6 导风罩分总成 (40-8B) AIR COOLING SYSTEM 外露件镀铬

序号	图号	代码	DESCRIPTION	数量
NO	PARTS NO.	QJ CODE	DESCRIPTION	QTY
1	40-8-1	20301B01F000	COWLING,cylinder	1
2	50-2-11	20303G02F000	GROMMET	2
3	QJ1E40QMB	20200B01F000	COVER ASSY (FAN)	1
4	GB/T97.1-2002	B07030000600	WASHER φ6	3
5	50-8-5 (短)	20208G02F000	BEADING (RUBBER)	1
6	GB/T823-1988	302270602065	BOLT M6X20	2
7	50-0-4	20102G02F000	DUST COVER (RUBBER)	1
8	GB/T5282-1985	3050355040F5	SCREW ST5.5X40-F	1
9	50-8-5 (长)	20206G02F000	BEADING (RUBBER)	1
10	40-0.0.1-1	20401B01F000	FAN ASSY	1
11	50-0.0.1-2	20402G02F000	RUBBER RING 70X3.1	1
12	GB/T5787	301310601665	SCREW M6X16	3
13	GB/T93-1987	B07000000600	SPRING WASHER φ6	3

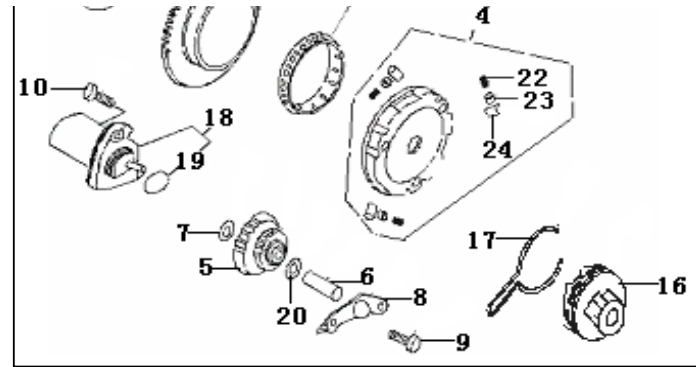


7 起动机分总成 (50-11B £ 50-15B £ 50-3-2B) KICK STARTER ASSY马达线长度 : 340~350MM,起动机轴正常

序号	图号	代码	DESCRIPTION	数量
NO	PARTS NO.	QJ CODE	DESCRIPTION	QTY
1	50-15.0.2	34120G02F000	START GEAR ASSY	1
2	50-15.0.1	34121G02F000	NEEDLE BEARING	1
3	50-15-4	34123G02F000	THRUST WASHER	1
4	50-15.1.1A	34110G02F00A	STARTER CLUTCH ASSY.COMP	1

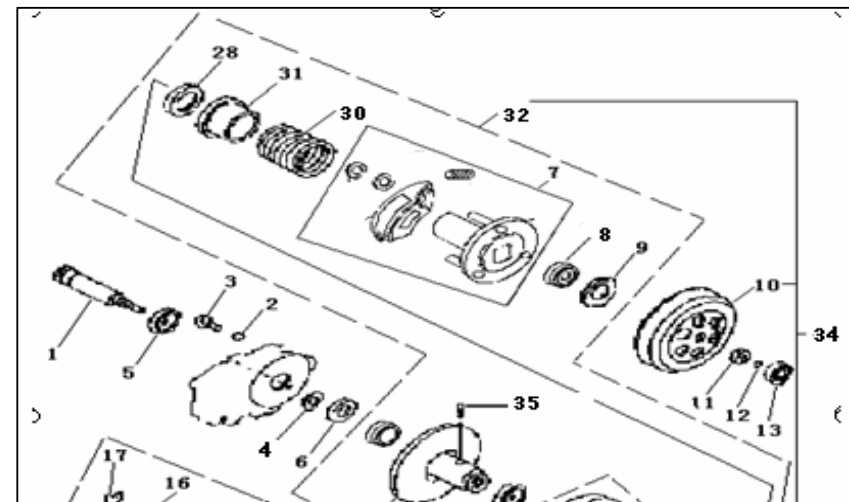


5	50-15-1/50-15.2	34126G02F000	DRIVEN GEAR,STARTER	1
6	50-2-8	26128G02F000	IDLE GEAR SHAFT	1
7	50-15-3	34122G02F000	PLATE WASHER	1
8	50-15-2	34125G02F000	IDLE GEAR HOLDER	1
9	GB/T5787-2000	301310601062	SCREW	2
10	GB/T70-2000	302040602062	SCREW	2
11	50-3.0.3	216100.004000	SHAFT, kick starter	1
12	50-3-3	17407G02F000	SPRING	1
13	50-3-10	216217.001000	BUSH	1
14	50-3-11	307991005552	WASHER ,kick starter	1
15	GB/T894.1-1986	308090150000	CIRCLIP	1
16	50-3.0.1	17415G02F000	KICK PINION ASSY	1
17	50-3-2	17418G02F930	CLIP	1
18	50-11	218100.018472	STARTING MOTOR ASSY	1
19	GB/T3452.2-1987	B190102120B0	O-RING	1
20	50-15-5	34130G02F000	PLATE WASHER	1
21	50-15.1A	217100.100000	START CLUTCH ASSY	1
22	50-15.1-4(A)	34404G02F00A	SPRING	3
23	50-15.1-3(A)	34405G02F00A	CAP	3
24	50-15.1-2(A)	34402G02F00A	ROLLER	3

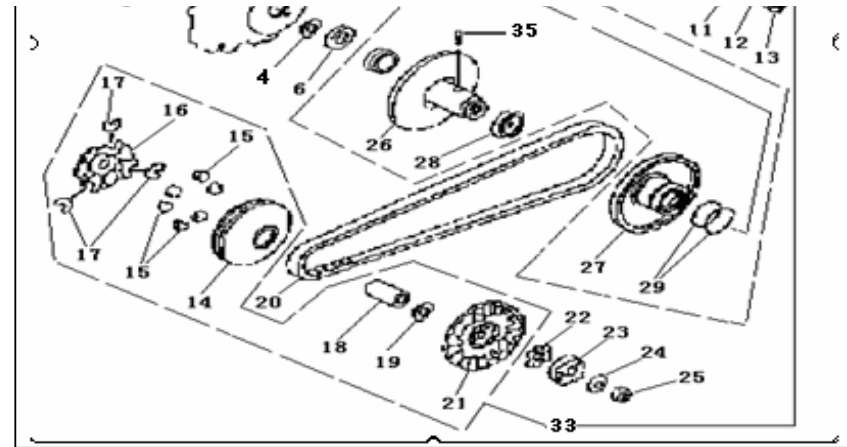


8 传动机构总成 (40-5-1 C) CLUTCH ASSY离合器滚珠重量5克, 结构为左半 (正常型50-5-8) +右半 (正常型50-5.0.1) , 不带限速套环

序号	图号	代码	DESCRIPTION	数量
NO	PARTS NO.	QJ CODE	DESCRIPTION	QTY
1	40-5.1.1-3	24201B01F000	PRIMARY DRIVE SHAFT old	1
1		220011160000	PRIMARY DRIVE SHAFT new	1
2	50-5.1.1-4	18114G02F000	PLATE WASHER	1
3	GB/T16674-1986	B01090801263	PAN HEAD SCREW	1
4	GB/T894.1-1986	B08010001700	CIRCLIP	1
5	GB/T276-1994	B12016600300	ROLING BEARING	1
6	50-5.1.1-2	24203G02F000	OIL SEAL	1

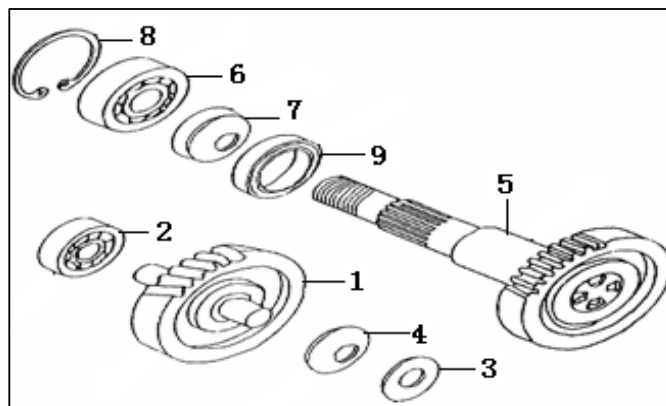


7	40-5.1.2	24301B01F000	CLUTCH ASSY,shoe	1
8	50-5.1.2-5	24245G02F000	BALL BEARING 6003	1
9	50-5.1-2	24303G02F000	NUT	1
10	50-5.1.4	24700G02F000	CLUTCH DRUM	1
11	50-5.1-3	24305G02F940	NUT	1
12	50-5.1-4	24243G02F000	RING φ6.7X3	1
12		200492080000	RING φ5.5X1.5	2
13	50-3-6	24209G02F000	BEARING 8X28X8	1
14	50-5.0.1	24101G02F000	FACE, movable drive	1
15	QJ1E40QMB-4.2. 213119.003000		ROLLER	6
16	50-5-6	24103G02F000	PLATE, movable drive	1
17	50-5-5	24104G02F000	DAMPER	3
18	50-5-7	24105G02F000	COLLAR	1
19	40-5-12	24106B01F000	WASHER	1
20	40-5-11	24107B01F000	V BELT , DRIVE	1
21	50-5-8	24108G02F000	FACE , FIXED DRIVE	1
22	50-5-9	24109G02F000	STAR WASHER	1
23	50-5-10	213203.001161	RATCHET (STARTING)	1
24	50-4-1	15112G02F010	WASHER , SPRING	1
25	GB/T6173-2000 B04031212553		NUT	1
26	50-5.1.2.1	24204G02F000	FACE , FIXED DRIVEN	1
27	50-5.1.2.2	24205G02F000	FACE , MOVABLE DRIVEN	1
28	50-5.1.2-4	24206G02F000	OIL SEAL	2
29	50-5.1.2-3	24207G02F000	O-RING	2
30	40-5.1-1	24308B01F000	SPRING	1
31	50-5.1.2-1	24309G02F930	SEAT , SPRING	1
32	40-5.1	24200B01F000	DRIVEN PULLY COMP.	1
33	50-5	213100.039000	DRIVE PULLEY COMP.	1
34	40-5	213100.010000	SHIFT ASSY	1
35	50-5.1.2-2	24208G02F000	PIN , GUIDE	2



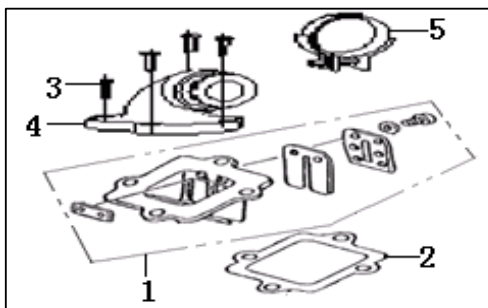
9 变速系统分总成(40-5-2A)TRANSMISSION SYSTEM ASSY(40中间轴，40输出轴)

序号	图号	代码	DESCRIPTION	数量
NO	PARTS NO.	QJ CODE	DESCRIPTION	QTY
1	40-5.3	17800B01F000	SHAFT , IDLE	1
2	GB/T276-1994	B12016620100	BEARING 6201	1
3	50-5-3	17509G02F000	PLATE WASHER12	1
4	50-5-4	17802G02F000	WASHER , CONICAL	1
5	40-5.2	17300B01F000	DRIVEN SHAFT(GEAR BOX)	1
6	GB/T276-1994	B12016600400	BEARING	1
7	50-2-18	17317G02F000	OIL SEAL	1
8	50-2-16	17308G02F000	CIRCLIP	1
9	50-2-17	26136G02F000	NEEDLE BEARING	1



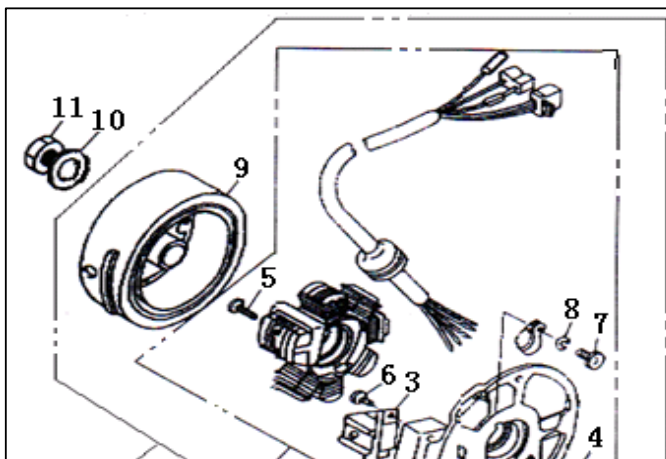
10 进气阀分总成 (50-13D) REED VALVE ASSY正常型，双开、正常，进气管正常型，不带断头螺钉

序号	图号	代码	DESCRIPTION	数量
NO	PARTS NO.	QJ CODE	DESCRIPTION	QTY
1	50-13	32300G02F000	REED VALVE ASSY	1
2	50-13-3	202306.002000	VALVE SEAT GASKET	1
3	GB/T70-2000	302040602065	SCREW	4
4	50-13.1	32200G02F000	PIPE, intake	1
5	50-13.2	202104.006000	CLIP	1

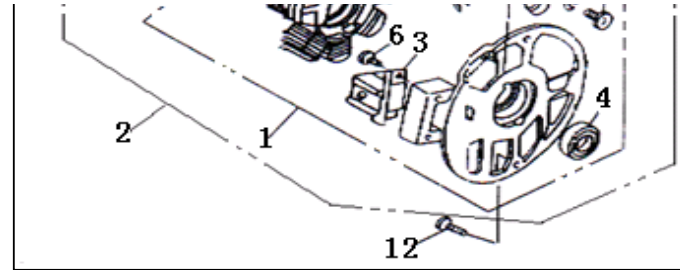


11 磁电机总成 (50-9A) MAGNETO ASSY飞轮提前角：15°

序号	图号	代码	DESCRIPTION	数量
NO	PARTS NO.	QJ CODE	DESCRIPTION	QTY
1	50-9.2	34310G02F000	COIL ASSY	1
2	50-9	223100.100000	MAGNETO ASSY	1
3	50-9.2.3	34330G02F000	PULSE TRIGGER	1
4	JB2600-80	34350G02F000	OIL SEAT	1
5	GB/T818-2000	B02000502522	SCREW	2
6	GB/T818-2000	B02000501262	SCREW	2



7	GB/T818-2000	B02000400622	SCREW	1
8	GB/T93-1987	B07000000400	SPRING WASHER	1
9	50-9.1	223101.019000	FLY WHEEL ASSY	1
10	GB/T97.1-2002	B07030001200	WASHER	1
11	153FM-0000044	15228H03F000	NUT	1
12	GB/T5787	B01070601664	NUT	2



12 化油器分总成 (PZ19JB-2B) CARBURETORASSY化油器分总成 (三国 , 主量孔 70)

序号	图号	代码		数量
NO	PARTS NO	CODE		QTY
1	(PZ19JB-2) -01	32510B01F000	NEEDLE, jet	1
2	PZ19JB-04-02	32511B01F000	VALVE,PISTON	1
3	PZ19JB-01-01	224202.100000	JET, main	1
4	PZ19JB-05-13	32612B01F000	ENRICH VALVE	1
5	PZ19JB-05-02	32619B01F000	PIN, float	1
6	PZ19JB-07-02	32620B01F000	FLOAT	1
7	PZ19JB-03-01	32701B01F000	GASKET	1
8	PZ19JB-01-06	32609B01F000	JET, idle	1
9	(PZ19JB-2) -00	224100.043000	CARBURETOR ASSY	1
10	(PZ19JB-2) -05.04	32508B01F000	CLIPMM,V shape	1

