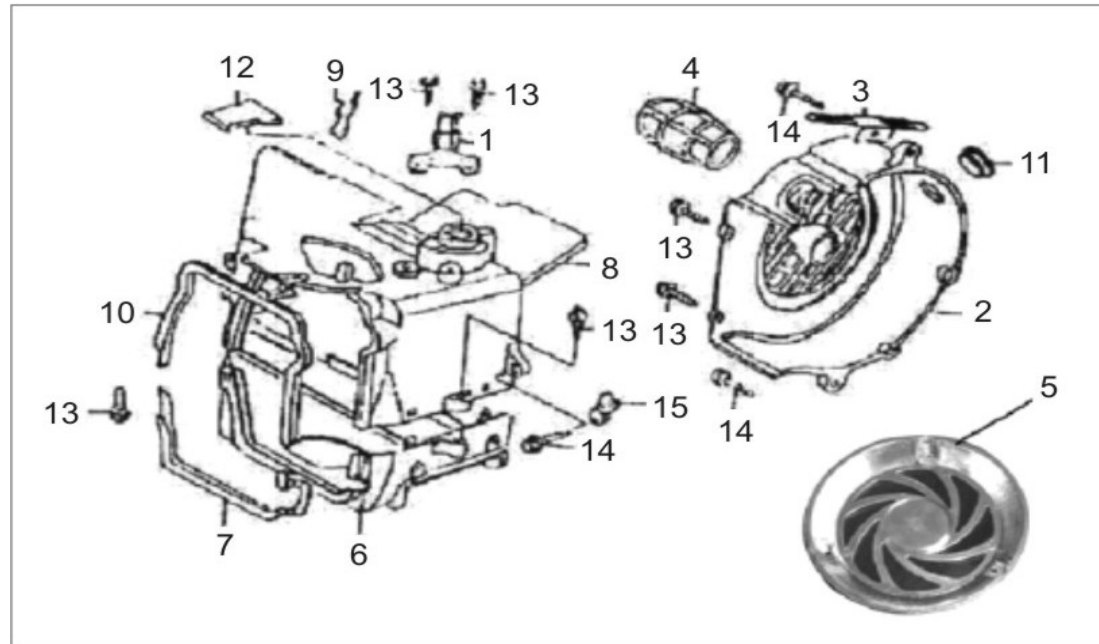


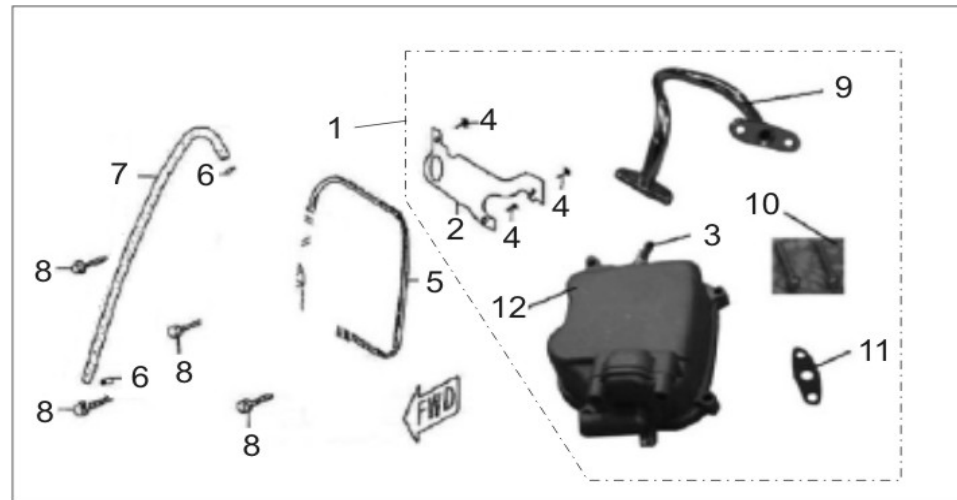
### E01 FAN COVER ASSY

1		BN0061-1	Clip	1
2	150ZT-E01.02	BN0064	Fan Cover	1
3		BN0061-2	Bracket	1
4	150ZT-E01.04	BN0064-4	Carburetor Cooling Duct	1
5	150ZT-E01.05	BN0064-3	Decorative Cover	1
6	150ZT-E01.06	BN0063-2	Lower Cover	1
7	150ZT-E01.07	BN0063-3	Lower Seal	1
8	150ZT-E01.08	BN0062-1	Upper Cover	1
9		BN0061-3	Clip	1
10	150ZT-E01.10	BN0062-2	Upper Seal	1
11	150ZT-E01.11	BN0064	Grommet	1
12	150ZT-E01.12	BN0062-3	Grommet	1
13		GB845-85	Screw ST4.8x13	6
14		GB5787-86	Flange Bolt M6x25	3
15	150ZT-E01.15	BN0061-4	Tube Clamp	1



### E02 CYLINDER HEAD COVER ASSY

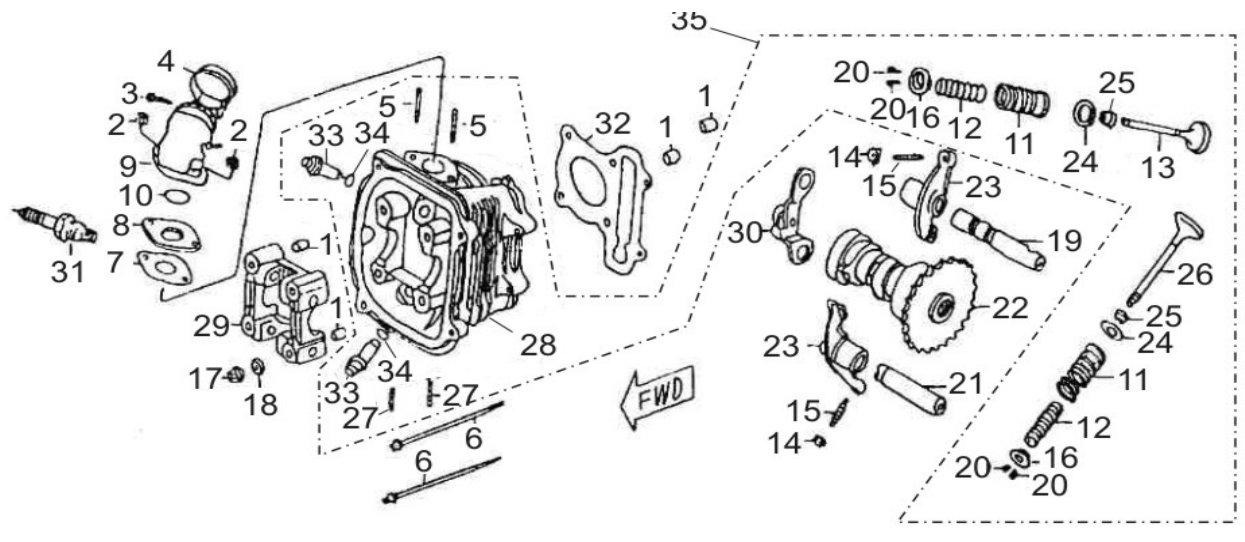
1		BN0058-1	Cover Assy	
2	150ZT-E02.02	BN0058-2	Pressure Plate	1
3	150ZT-E02.03	BN0058-3	Breather Tube	1
4		BN0058-4	Screw ST4.2x8	3
5	150ZT-E02.05	BN0031	Gasket, Head Cover	1
6		BN0078-1	Pipe clip	2
7		BN0078-2	Air Tube	1
8		BN0078-4	Bolt M6x25	4
9	125ZT-E02.09	BN0078-5	Pipe, Secondary Air	1
10		BN0078-6	Bolt, Secondary Air Pipe	1
11	125ZT-E02.11	BN0078-7	Gasket, Secondary Air Pipe	1
12	125ZT-E02.12	BN0058-8	Cylinder Head Cover	1



### E03 CYLINDER HEAD ASSY

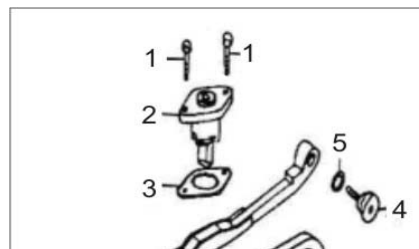
1		BN0030	Dowel Pin	4
---	--	--------	-----------	---

2		GB6177-86	Hex Nut M6	2
3		GB818-85	Flange Bolt M4x25	1
4		BN0077-1	Clamp	1
5		GB901-86	Stud M6x60	2
6		GB5787-86	Hex Flange Screw	2
7	150ZT-E03.07	BN0069	Gasket, Carburetor	1
8	150ZT-E03.08	BN0079	Insulator Gasket	1
9	150ZT-E03.09	BN0077-2	Intake Pipe	1
10		BN0077-3	O-Ring 27x2.0	1
11		BN0052-1	Valve Spring, Outer	2
12		BN0052-2	Valve Spring, Inner	2
13		BN0017	Intake Valve	1
14	150ZT-E03.14	BN0024-2	Valve Adjusting Nut	2
15	150ZT-E03.15	BN0024-3	Valve Adjusting Screw	2
16		BN0019-1	Retainer, Valve Spring	2
17		GB6177-86	Nut M8	4
18		GB97.2-85	Washer 8	4
19	125ZT-E03.19	BN0024-3	Shaft, Rocker Arm, Intake	1
20		BN0019-2	Valve Retainer	4
21	125ZT-E03.21	BN0024-3	Shaft, Rocker Arm, Exhaust	1
22	150ZT-E03.22	BN0021	Camshaft	1
23	150ZT-E03.23	BN0024-3	Rocker Arm	2
24		BN0040	Retainer, Valve Spring	1
25		BN0038	Seal, Valve	1
26		BN0018	Exhaust Valve	1
27		GB901-86	Stud M8x32	2
28		BN0040	Cylinder Head	1
29	125ZT-E03.29	BN0024-4	Holder, Camshaft	1
30	125ZT-E03.30	BN0024-5	Retainer	1
31	150ZT-E03.31	BN0032	Spark Plug	1
32	125ZT-E03.32	BN0076	Cylinder Head Gasket	1
33			Valve Guide	2
34			Seal, Valve Guide	2
35	150ZT-E03.35		Cylinder Head Assy	1

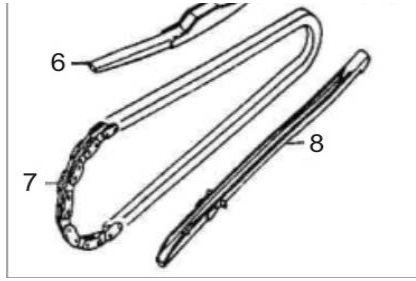


#### E04 TIMING CHAIN ASSY

1		GB5787-86	Bolt M6x20	2
2	150ZT-E04.02	BN0025	Tensioner Body	1
3	150ZT-E04.03	BN0068	Gasket	1
4	125ZT-E04.04	BN0060	Cam Chain Tensioner Axle	1
5	125T-E04.09	BN0029	O-Ring 15.2x1.5	1
6	150ZT-E04.06	BN0041	Timing Chain Tensioner	1
7	150ZT-E04.07	BN0051	Timing Chain	1

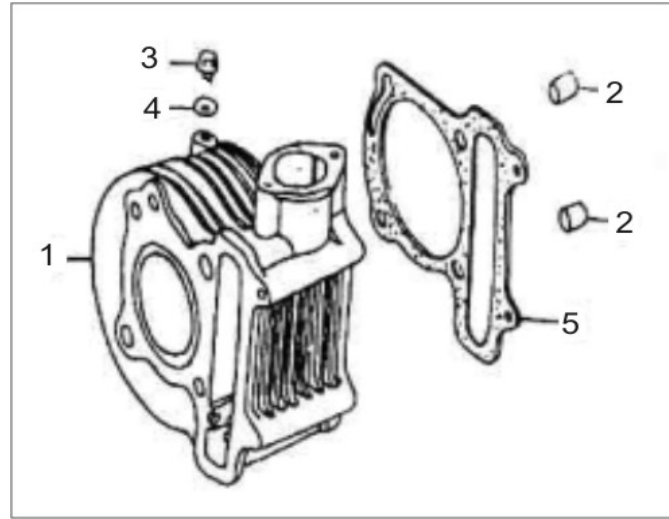


8	150ZT-E04.08	BN0042	Cam Chain Guide	1
---	--------------	--------	-----------------	---



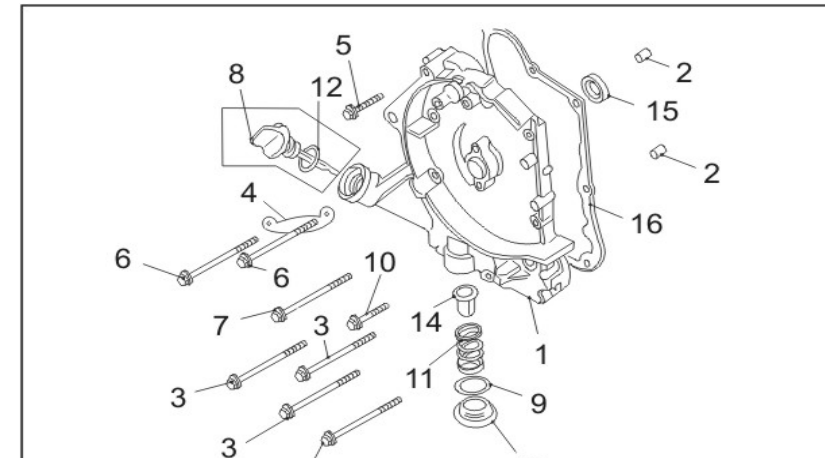
### E05 CYLINDER ASSY

1	125ZT-E05.01	BN0039	Cylinder	1
2		BN0030-2	Pin, Dowel, 10x16	2
3		GB5787-86	Bolt M6x12	1
4		GB95-85	Washer 6	1
5	150ZT-E05.05	BN0067	Cylinder Gasket	1



### E06 RIGHT CRANKCASE COVER ASSY

1		BN0057	Right Crankcase Cover	1
2		BN0030	Dowel pin	2
3	150ZT-E06.03	BN0060-8	Bolt M6x95	4
4	150ZT-E06.04	BN0061	Magneto Clamp	1
5		GB5787-86	Bolt M6x40	1
6		GB5787-86	Bolt M6x110	2
7		GB5787-86	Bolt M6x100	1
8		BN0081	Dipstick Assembly	1
9		BN0026	O-Ring 30.8x3.1	1
10		GB5787-86	Bolt M6x32	1
11		BN0053	Oil Filter Spring	1
12		BN0027	O-Ring 18x3	1
13		BN0023	Oil Filter Plug	1

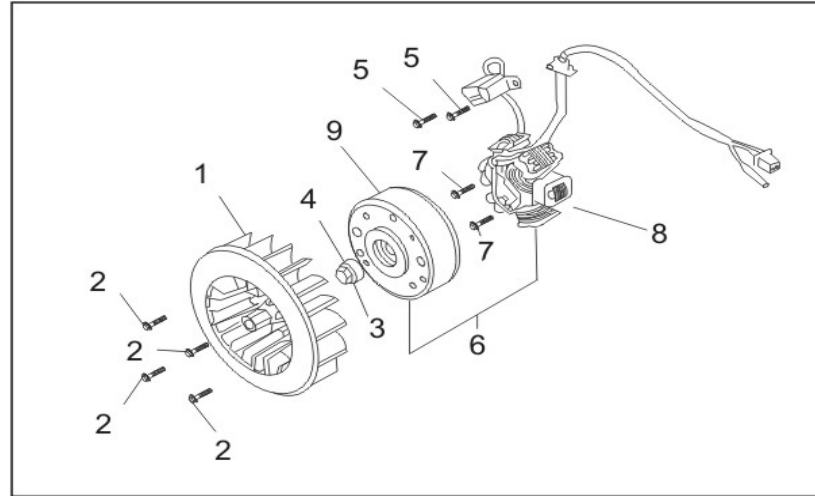


14		BN0082	Oil Filter	1
15		BN0037	Oil Seal19.8x30x5	1
16	150ZT-E06.16	BN0071	Crankcase Cover Gasket	1



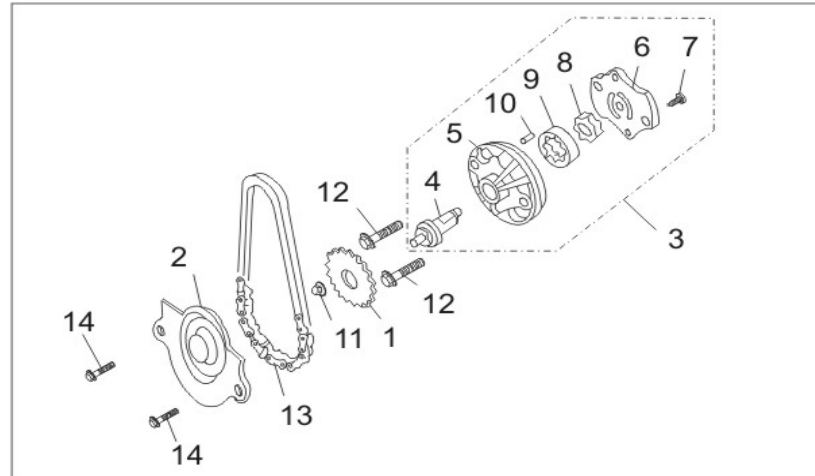
### E07 COOLING FAN

1	150ZT-E07.01	BN0065	Fan	1
2		GB5787-86	Flange Bolt M6x18	4
3		BN0060	Flange Nut M12	1
4		BN0030	Washer 24x12.2x2.5	1
5		GB5787-86	Flange Bolt M5x12	2
6	150ZT-E07.06	BN0005	Stator/Generator	1
7		GB5787-86	Flange Bolt M6x12	2
8		BN0005-1	Stator	1
9		BN0005-2	Flywheel	1



### E08 OIL PUMP

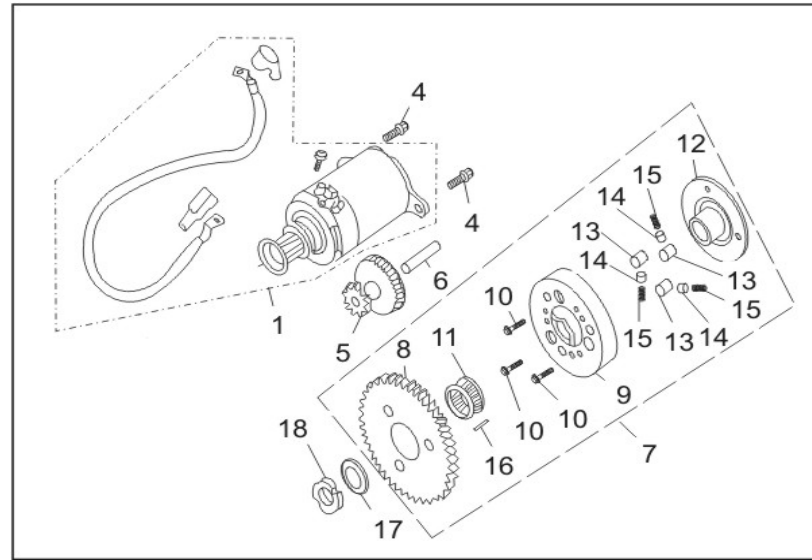
1	150ZT-E08.01	BN0074	Oil Pump Sprocket	1
2		BN0061-7	Engine Oil Spacer	1
3	150ZT-E08.03	BN0022-3-1	Oil Pump Assy	1
4		BN0022-3-2	Pump Shaft	1
5		BN0023	Pump Body	1
6		BN0022-3-3	Pump Flange	1
7		GB818-85	Screw M3x10	1
8		BN0022-3-4	Inner Rotor	1
9		BN0022-3-5	Outer Rotor	1
10		GB119-86	Positioning Pin 4x8	1
11		GB6117-86	Nut M6	2
12		GB5787-86	Flange Bolt M6x25	2
13	150ZT-E08.13	BN0075	Oil Pump Chain	1
14		GB5787-86	Flange Bolt M6x12	2



### E9 STARTER ASSY

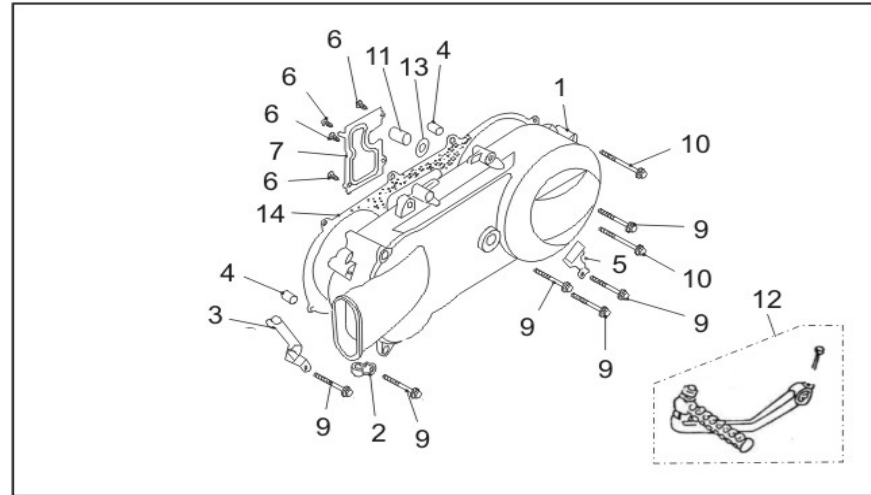


1	150ZT-E09.01	BN0006-1	Starter Motor	1
4		GB5787-86	Flange Bolt M6x16	2
5	150ZT-E09.05	BN0080	Idler Gear	1
6	150ZT-E09.06	BN0030-14	Idler Gear Shaft	1
7	150ZT-E09.07	BN0004-1	Starter Clutch Assy	1
8		BN0004-2	Clutch Gear	1
9		BN0004-3	Starter Clutch Cover	1
10		GB70-85	Socket Head Bolt M6x12	3
11	150ZT-E09.11	BN0004-4	Needle Bearing	1
12		BN0004-5	Inner Casing, Starter Clutch	1
13		BN0004-6	Roller	3
14		BN0004-7	Spring Pin	3
15		BN0004-8	Spring	3
16		BN0004-9	Positioning Pin	1
17		BN0030-15	Washer 22.2x31x2.5	1
18		GB6170-86	Lock Nut M22	1



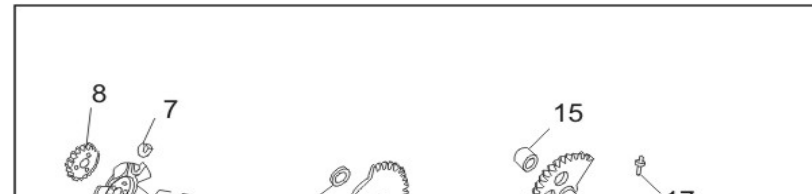
### E10 LEFT CRANKCASE COVER ASSY

1	125ZT-E10.01	BN0034-3	Cover Housing	1
2		BN0061-1	Pipe Clip	1
3		BN0061-2	Bracket	1
4		BN0030	Dowel Pin	2
5		BN0061	Brake Lead Clip	1
6		GB845-85	Screw ST4.2x8	4
7	125ZT-E10.07	BN0061-5	Cover Plate	1
9		BN0060-3	Flange Bolt M6x40	6
10		BN0060-4	Flange Bolt M6x65	2
11		BN0030-7	Cover	1
12	150ZT-E10.11	BN0050	Kick Starter Arm Assy	1
13		BN0030-2	Washer	1
14	125ZT-E10.13	BN0066-3	Left Crankcase Cover Gasket	1

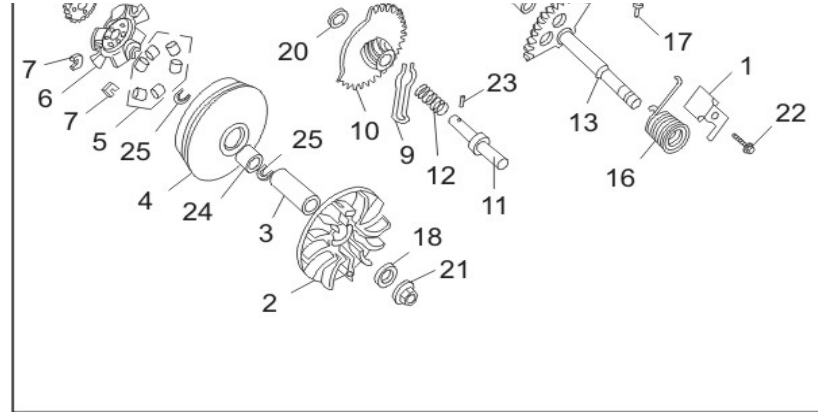


### E11 DRIVE PULLEY AND KICK STARTER

1		BN0061	Stopper	1
2	150ZT-E11.02	BN0002-7	Fan	1
3	150ZT-E11.03	BN0002-8	Drive Fan Sleeve	1
4	150ZT-E11.04	BN0002-6	Front Pulley	1
5	150ZT-E11.05	BN0002-3	Roller (Set of 6)	1

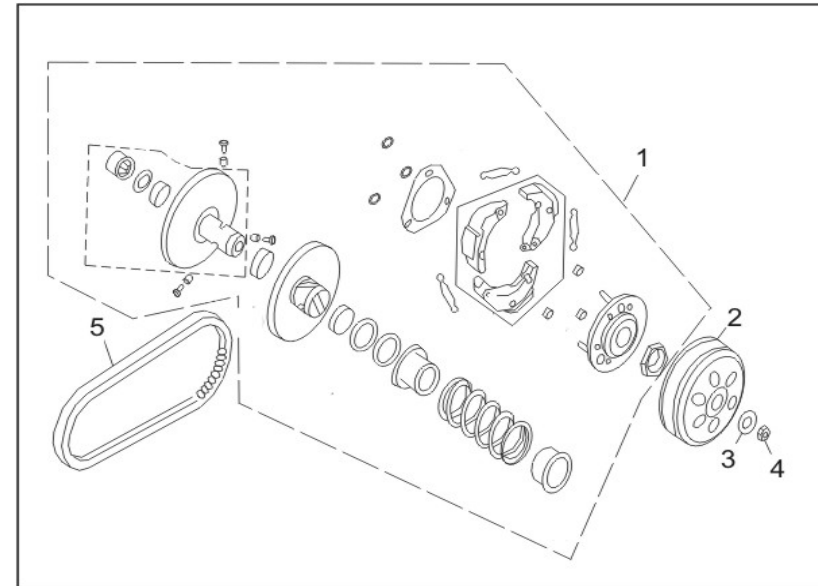


6	150ZT-E11.06	BN0002-1	Roller Plate	1
7	150ZT-E11.07	BN0002-4	Roller Plate Bushing	3
8	150ZT-E11.08	BN0043	Kick Starter Driven Gear	1
9		BN0048-4	Clip Spring	1
10	150ZT-E11.10	BN0048-2	Kick Starter Idle Gear	1
11	150ZT-E11.11	BN0048-1	Kick Starter Idle Gear Shaft	1
12	150ZT-E11.12	BN0048-3	Spring	1
13	150ZT-E11.13	BN0049-2	Kick Starter Driven Gear w/Shaft	1
15	150ZT-E11.14	BN0049-1	Bushing	1
16	150ZT-E11.15	BN0049	Spring	1
17	150ZT-E11.16	BN0049	Pin 4.5mm	1
18		BN0030	Washer 12.2x24x2.5	2
20		BN0030	Washer 12.5	1
21		GB6181-86	Nut M12	2
22		GB5787-86	Flange Bolt M6x14	1
23		GB119-86	Pin 3x8	1
24		BN0002-5	Spacer	1
25		BN0002-2	Circlip 28mm	2



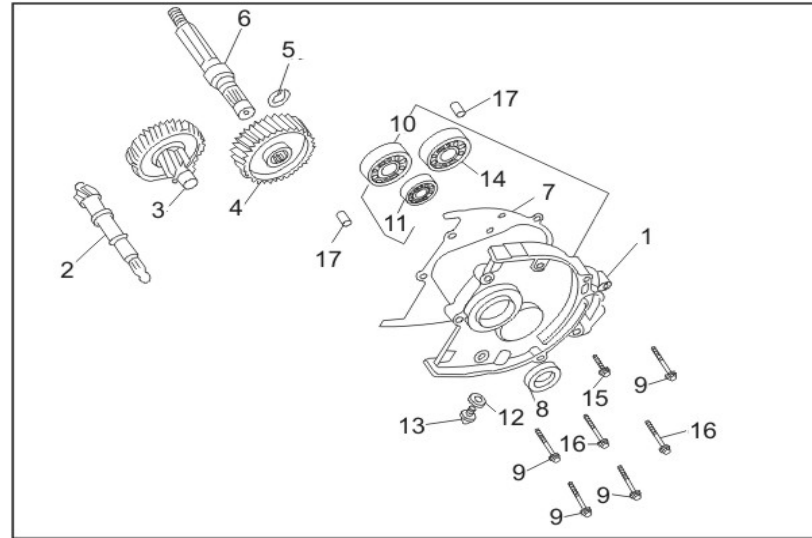
### E12 DRIVEN PULLEY

1	150ZT-E12.01	BN0003-2	Driven Pulley Assy.	1
2	150ZT-E12.02	BN0003-1	Clutch Head	1
3		BN0030	Washer 12.2x24x2.5	1
4		GB6181-86	Nut M12	2
5	125ZT-E12.05	BN0016-3	V-Belt	1



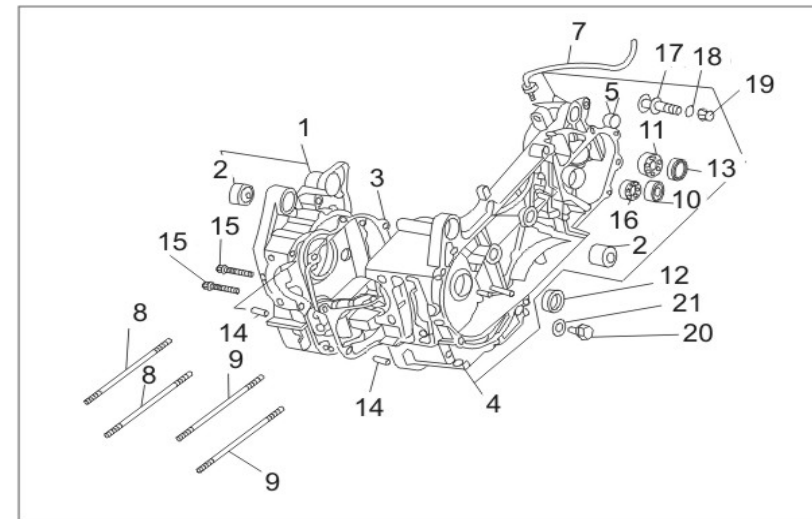
### E13 TRANSMISSION

1	125ZT-E13.01	BN0059-4	Cover Assy	1
2	150ZT-E13.02	BN0044	Clutch Shaft	1
3	150ZT-E13.03	BN0045	Intermediate Gear	1
4	150ZT-E13.04	BN0046	Main Shaft Gear	1
5	125T-E13.13	BN0072	Circlip	1
6	150ZT-E13.06	BN0045-2	Main Shaft	1
7	150ZT-E13.07	BN0045-3	Cover Gasket	1
8	125T-E13.11	BN0059-2	Oil Seal 20x32x6	1
9		GB5787-86	Bolt M6x28	4
10	125T-E13.16	GB292-83	Bearing 6204	1
11	125T-E13.14	GB292-83	Bearing 6202	1
12		GB95-85-8	Washer 8	1
13		GB5787-86	Bolt M8x12	1
14	125T-E13.15	GB292-83	Bearing 6203	1
15		BN0060-8	Special Bolt	1
16		GB5787-86	Bolt M6x35	1
17	125T-E13.12	BN0030-12	Pin 8x14	2



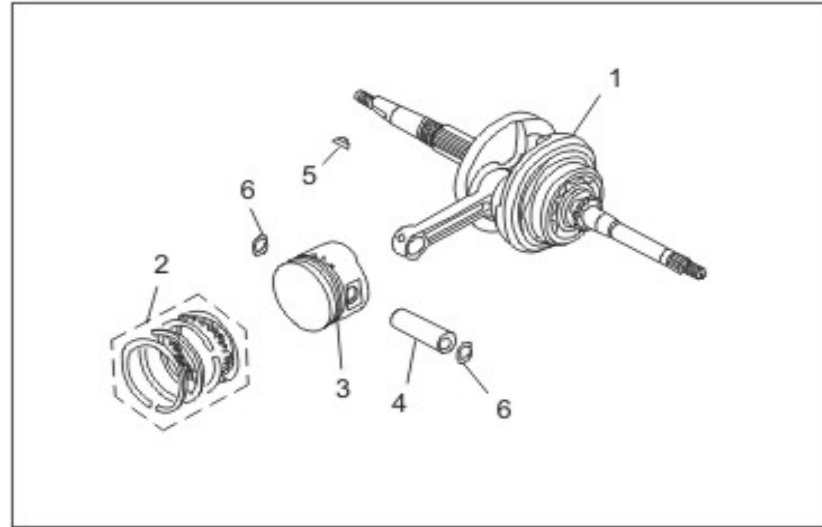
### E14 CRANKCASE ASSY

1	125ZT-E14.01	BN0057	Right Crankcase Assembly	1
2	150ZT-E14.02	BN0083	Engine Mounting Rubber Bushing	2
3	125ZT-E14.03	BN0071	Crankcase Gasket	1
4	125ZT-E14.04	BN0055-3	Left Crankcase Assembly	1
5	150ZT-E14.05	BN0084	Bushing	1
6	125T-E14.06	30150000	Shaft Bushing	1
7		BN0078	Breather Pipe	1
8	150ZT-E14.08	BN0061	Stud	2
9	150ZT-E14.09	30100001	Stud	2
10	150ZT-E14.10	GB292-83	Bearing 46102	1
11	150ZT-E14.11	GB292-83	Bearing 46104	1
12	125T-E14.12	30120000	Oil Seal 19.8x30x5	1
13	125T-E14.13	BN0035	Oil Seal 27x42x7	1
14	125T-E14.14	30100002	Dowel Pin 8x14	2
15		GB5787-86	Bolt M6x50	2
16	150ZT-E14.16	GB292-83	Bearing 46031	1
17	150ZT-E14.17	BN0030	Brake Shoe Anchor Pin	1
18	125T-E14.18	GB4352.1-82	Oil Seal 7.5x1.5	1
19		GB6187-86	Self-locking Nut M8	1
20	125T-E14.20	BN0060-2	Drain Plug 12mm	1
21	125T-E14.21	BN0030	Drain Plug Washer 12mm	1



### E15 CRANKSHAFT, PISTON, CONNECTING ROD

1	125ZT-E15.01	BN0001	Crankshaft Assembly	1
2	125ZT-E15.02		Piston Ring Set (Standard)	1
3	125ZT-E15.03	BN0008	Piston	1
4	125ZT-E15.04	BN0007	Piston Pin	1
5	125ZT-E15.05	BN0061	Woodruff Key	1
6	125ZT-E15.06	BN0054	Circlip	2
7	125ZT-E15.07	BN0009-1	First Piston Ring	1
8	125ZT-E15.08	BN0009-2	Second Piston Ring	1
9	125ZT-E15.09	BN0009-3	Piston Oil Ring	1



### E16 CARBURETOR

1	150T-E16.01	TB1-720000-5	Carburetor Assembly	1
---	-------------	--------------	---------------------	---

