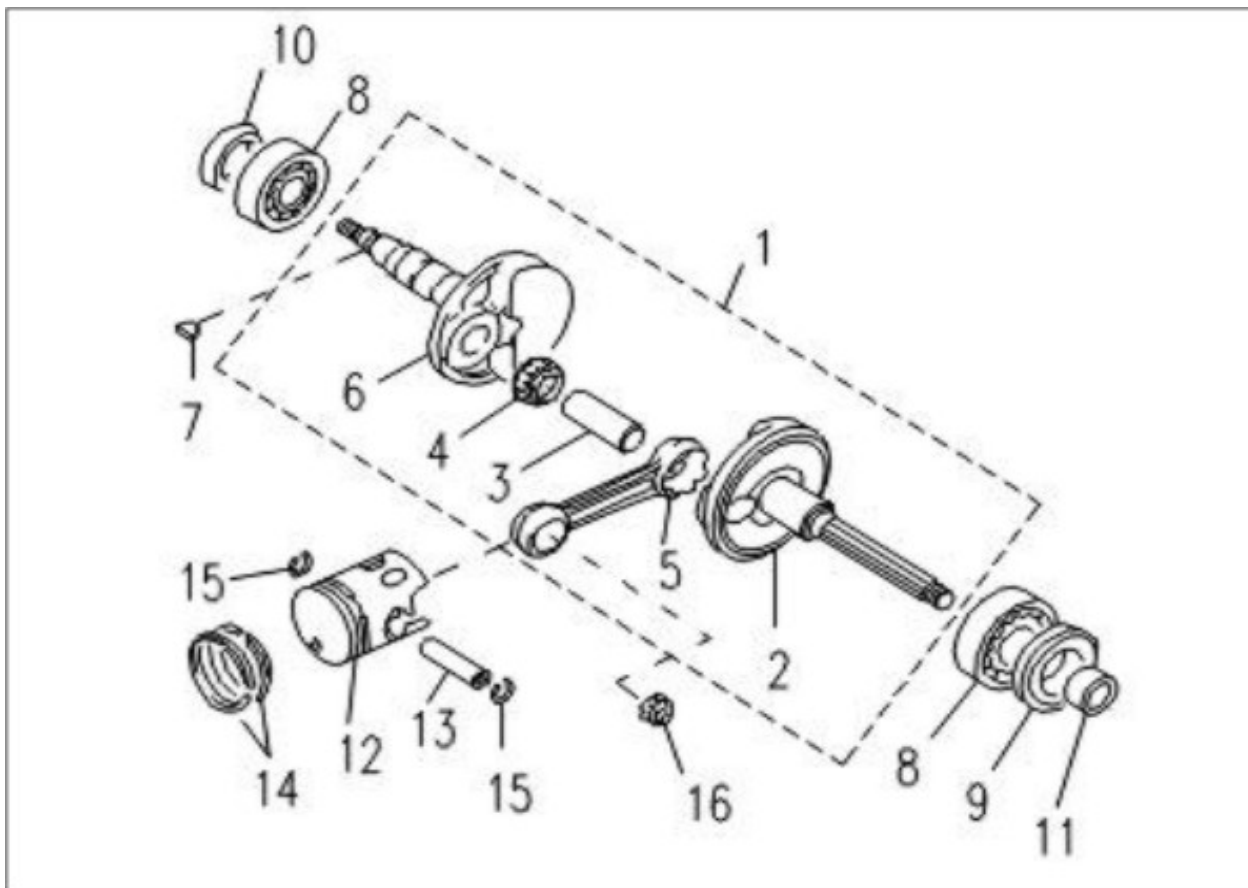


Item	P/N	Description
1	<a href="#">492J-E02.01</a>	Crankcase Assy. Left
2	<a href="#">492J-E02.02</a>	Collar
3	<a href="#">492J-E02.03</a>	Bearing E180103
4	<a href="#">492J-E02.04</a>	Crankcase Breather
5	<a href="#">492J-E02.05</a>	Crankcase Assy. Right
8	<a href="#">492J-E02.08</a>	Dowel Pin B
10	<a href="#">492J-E02.10</a>	Engine Mount Axle
12	<a href="#">492J-E02.12</a>	Gear Box Cover
13	<a href="#">492J-E02.13</a>	Gear Box Gasket
14	<a href="#">492J-E02.14</a>	Side Cover Gasket
15	<a href="#">492J-E02.15</a>	Dowel Pin A

22	<a href="#">492J-E02.22</a>	Oil Fill Plug
23	<a href="#">492J-E02.23</a>	O-ring for Fill Plug
24	<a href="#">492J-E02.24</a>	Oil Drain Plug
25	<a href="#">492J-E02.25</a>	O-ring for Drain Plug
26	<a href="#">492J-E02.26</a>	Holder
28	<a href="#">492J-E02.28</a>	Crankcase Gasket
29	<a href="#">492J-E02.29</a>	Pin

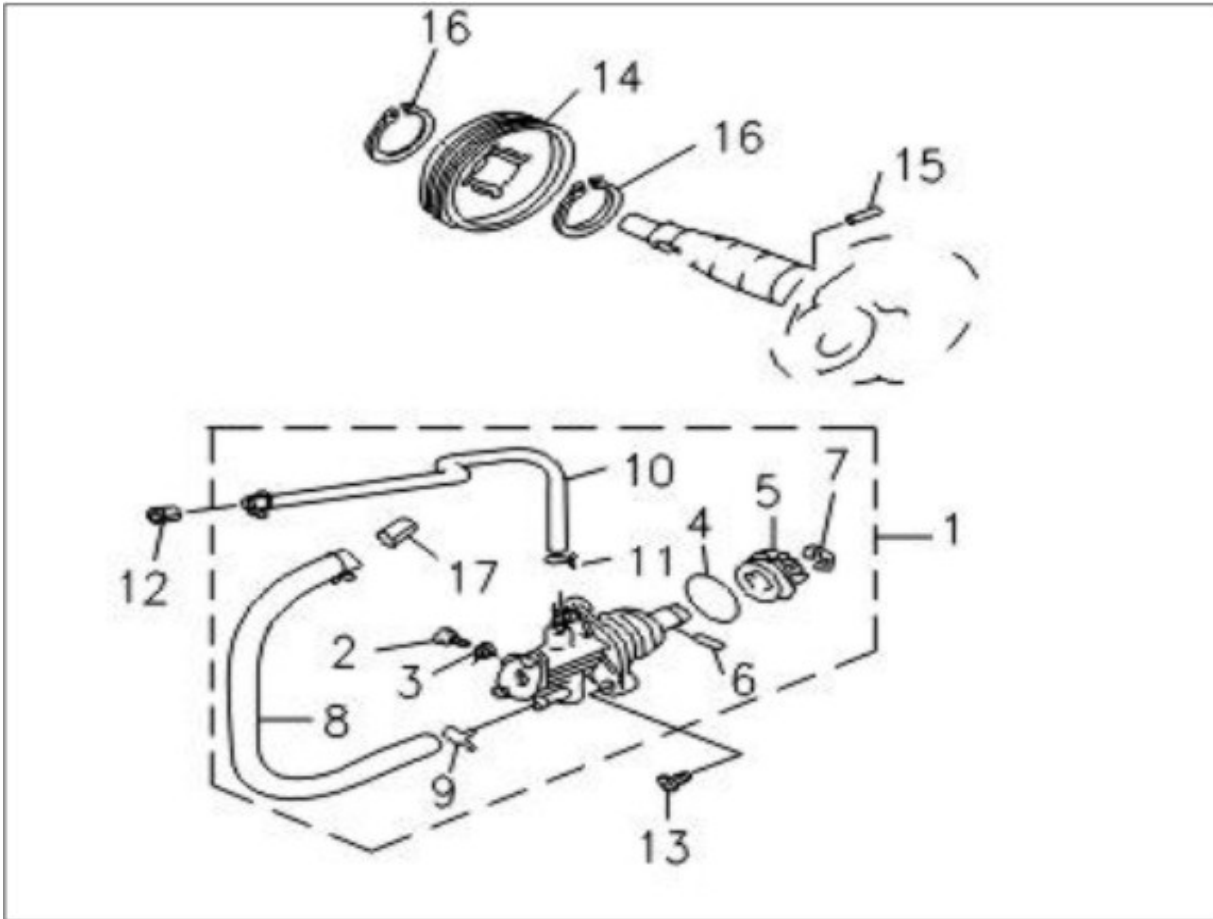


(Click line item in left column for more information)

(Prices and specifications subject to change)

Item	P/N	Description
1	<a href="#">492J-E03.01</a>	Crankshaft Assy.
8	<a href="#">492J-E03.08</a>	Crankshaft Bearing 3G 204Z1
9	<a href="#">492J-E03.09</a>	Left Crank Oil Seal
10	<a href="#">492J-E03.10</a>	Right Crank Oil Seal

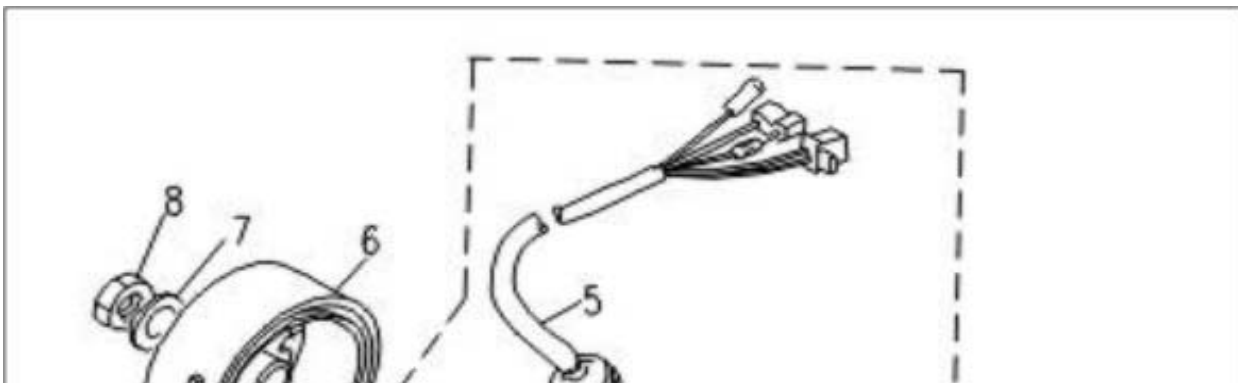
11	<a href="#"><u>492J-E03.11</u></a>	Collar
12	<a href="#"><u>492J-E03.12</u></a>	Piston
13	<a href="#"><u>492J-E03.13</u></a>	Piston Pin
14	<a href="#"><u>492J-E03.14</u></a>	Piston Rings (set of 2)
15	<a href="#"><u>492J-E03.15</u></a>	Circlip
16	<a href="#"><u>492J-E03.16</u></a>	Needle Bearing 39242/10Y

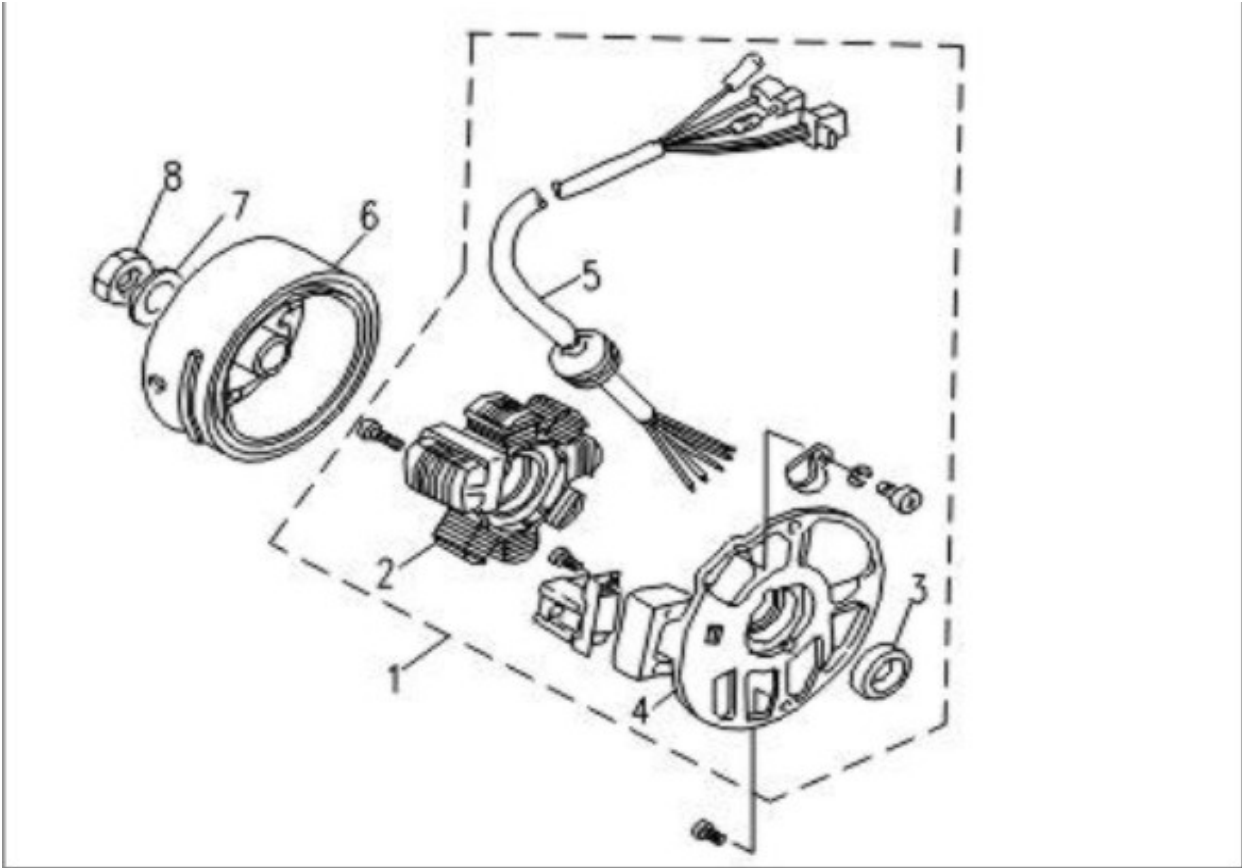


(Click line item in left column for more information)

(Prices and specifications subject to change)

Item	P/N	Description
1	<a href="#">492J-E04.01</a>	Oil Pump Assy.
14	<a href="#">492J-E04.14</a>	Oil Pump Drive Gear
15	<a href="#">492J-E04.15</a>	Drive Gear Pin
16	<a href="#">492J-E04.16</a>	Circlip 19

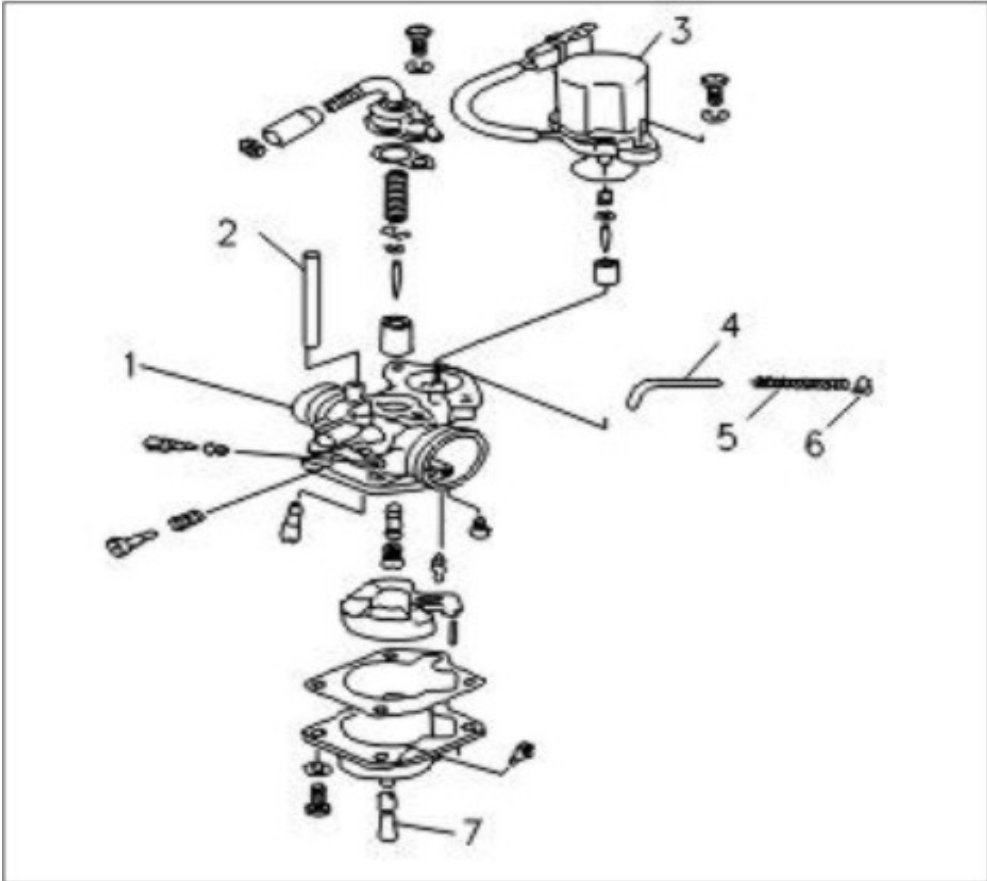




(Click line item in left column for more information)

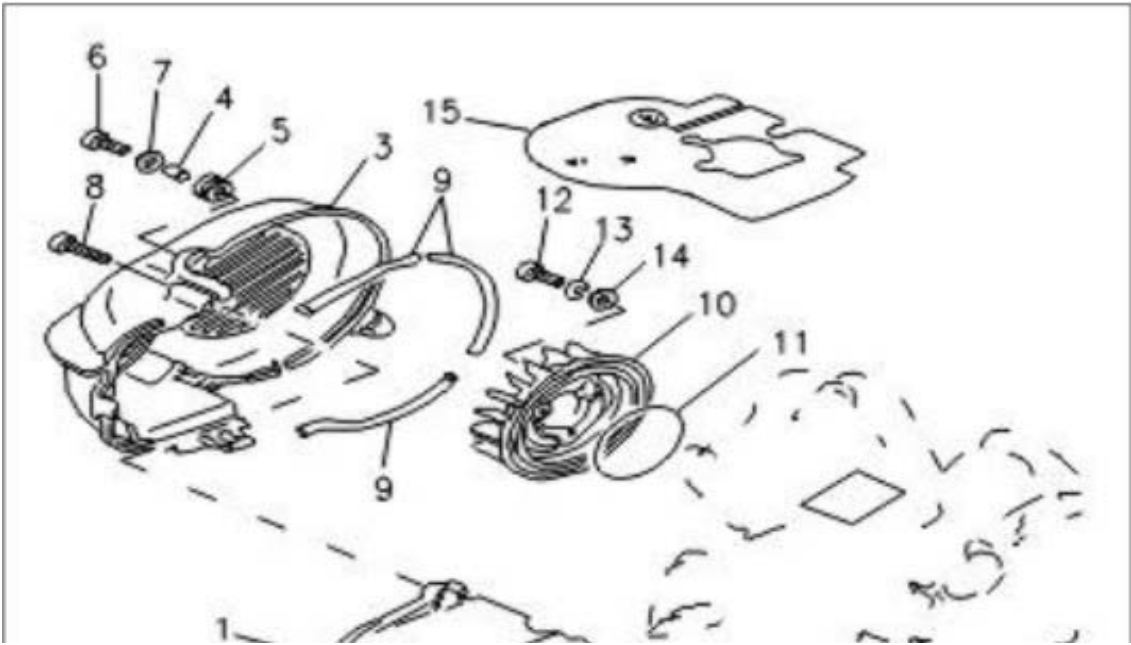
(Prices and specifications subject to change)

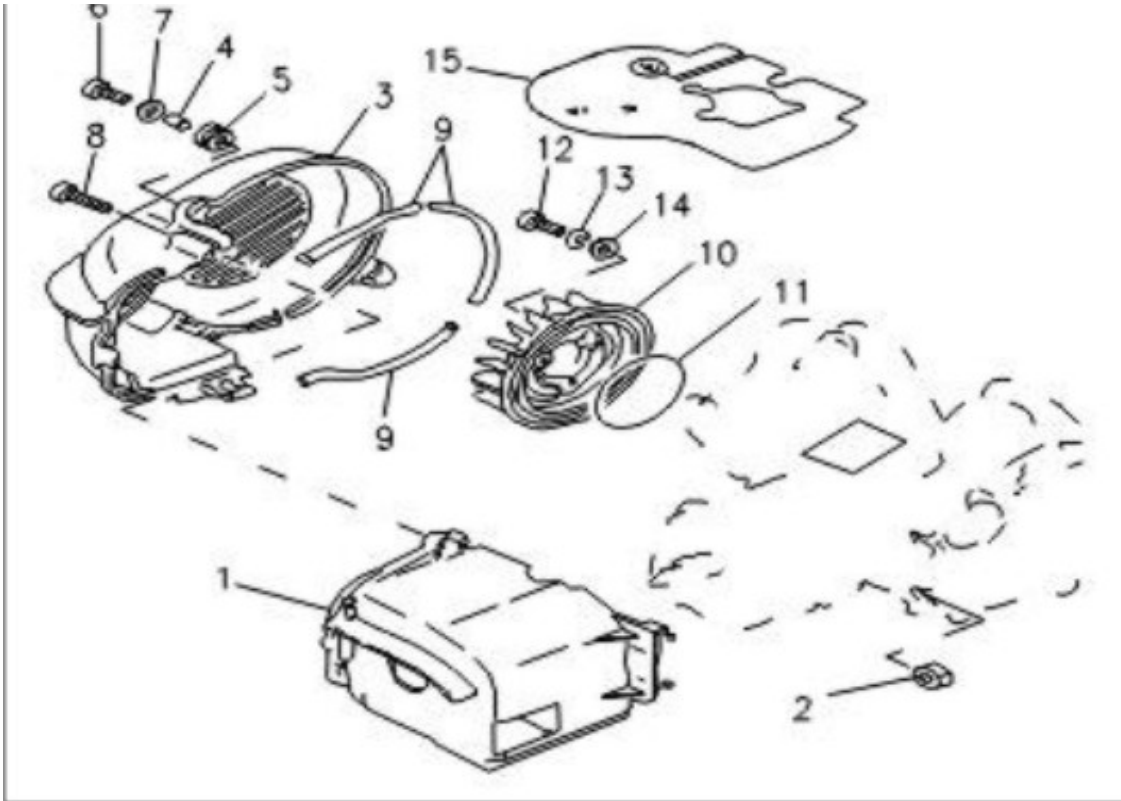
Item	P/N	Description
1	<a href="#">492J-E05.01</a>	Stator/Generator
18	<a href="#">492J-E05.08</a>	Crankshaft Nut



(subject to change)

Item	P/N	Description
1	<a href="#">492J-E06.01</a>	Carburetor Assembly
3	<a href="#">492J-E06.03</a>	Auto Enrichener

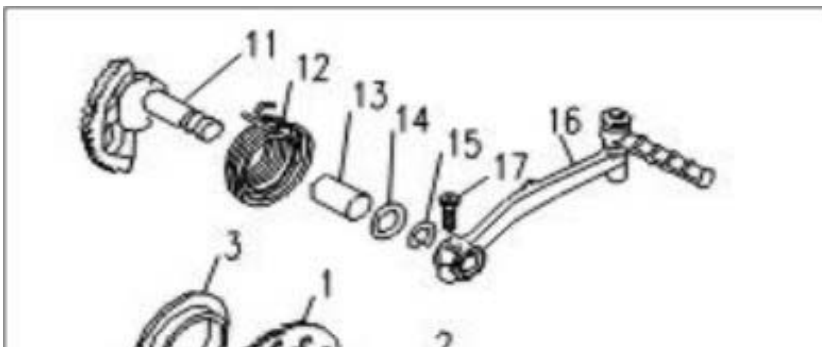


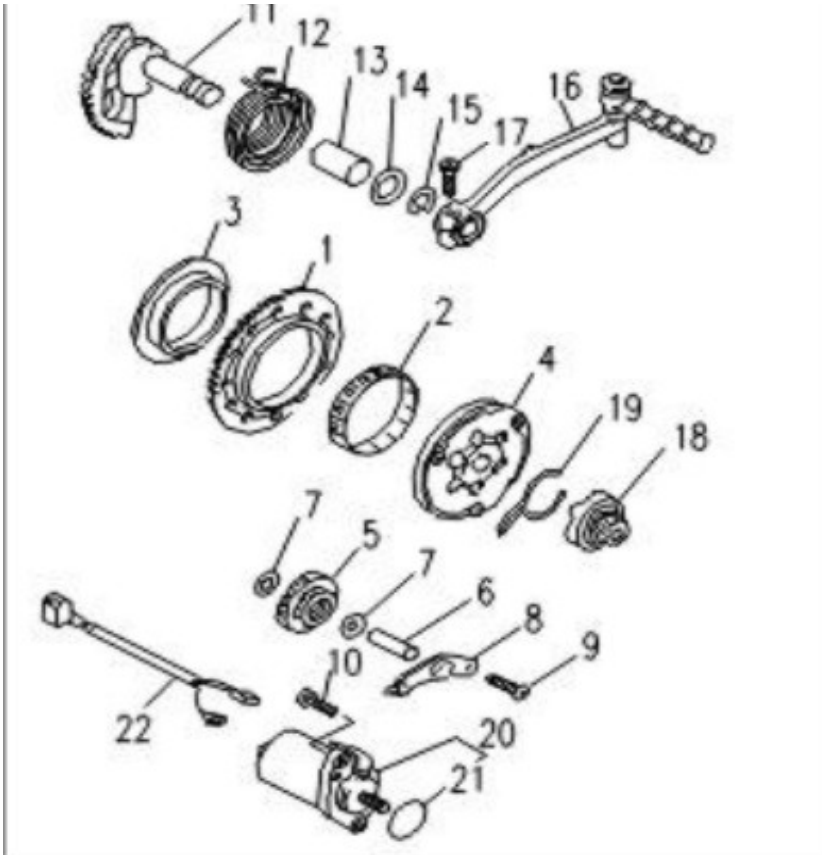


(Click line item in left column for more information)

(Prices and specifications subject to change)

Item	P/N	Description
1	<a href="#">492J-E07.01</a>	Cowling
2	<a href="#">492J-E07.02</a>	Rubber Washer
3	<a href="#">492J-E07.03</a>	Cooling Fan Cover
4	<a href="#">492J-E07.04</a>	Collar
10	<a href="#">492J-E07.10</a>	Fan Assy.
11	<a href="#">492J-E07.11</a>	O-Ring 70 x 3.1
15	<a href="#">492J-E07.15</a>	Dust Cover



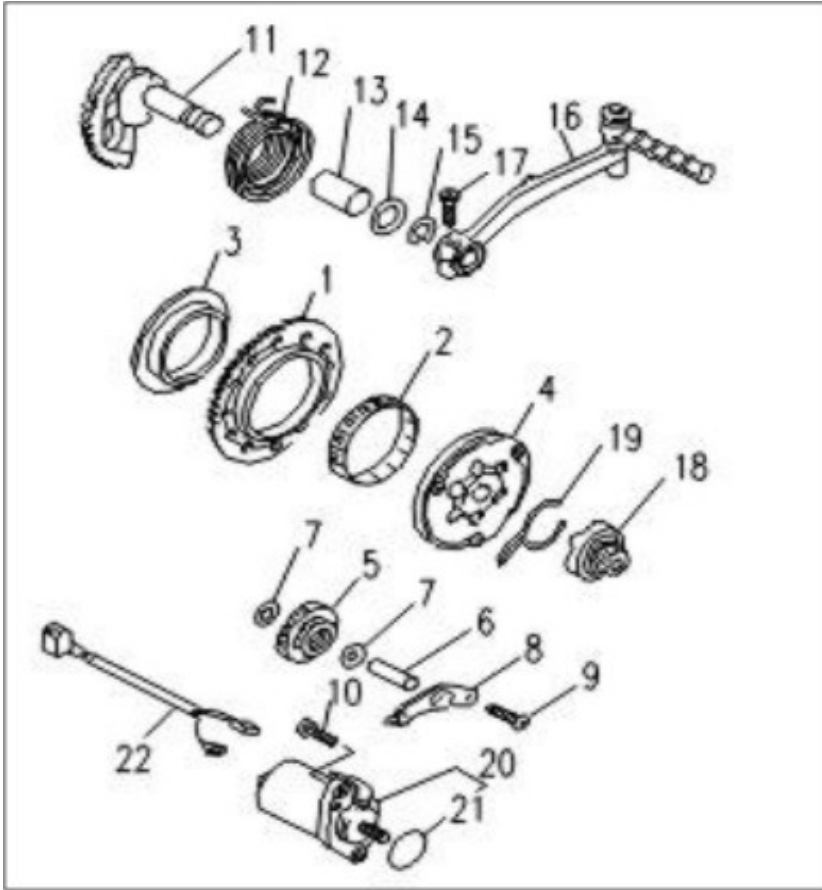


(Click line item in left column for more information)

(Prices and specifications subject to change)

Item	P/N	Description
1	<a href="#">492J-E08.01</a>	Starter Clutch Gear
2	<a href="#">492J-E08.02</a>	Needle Bearing
3	<a href="#">492J-E08.03</a>	Bearing Washer
4	<a href="#">492J-E08.04</a>	One-way Clutch
5	<a href="#">492J-E08.05</a>	Starter Gear
6	<a href="#">492J-E08.06</a>	Starter Gear Axle
7	<a href="#">492J-E08.07</a>	Washer
8	<a href="#">492J-E08.08</a>	Idler Gear Holder
11	<a href="#">492J-E08.11</a>	Kick Starter Assy.
20	<a href="#">492J-E08.20</a>	Starter Motor

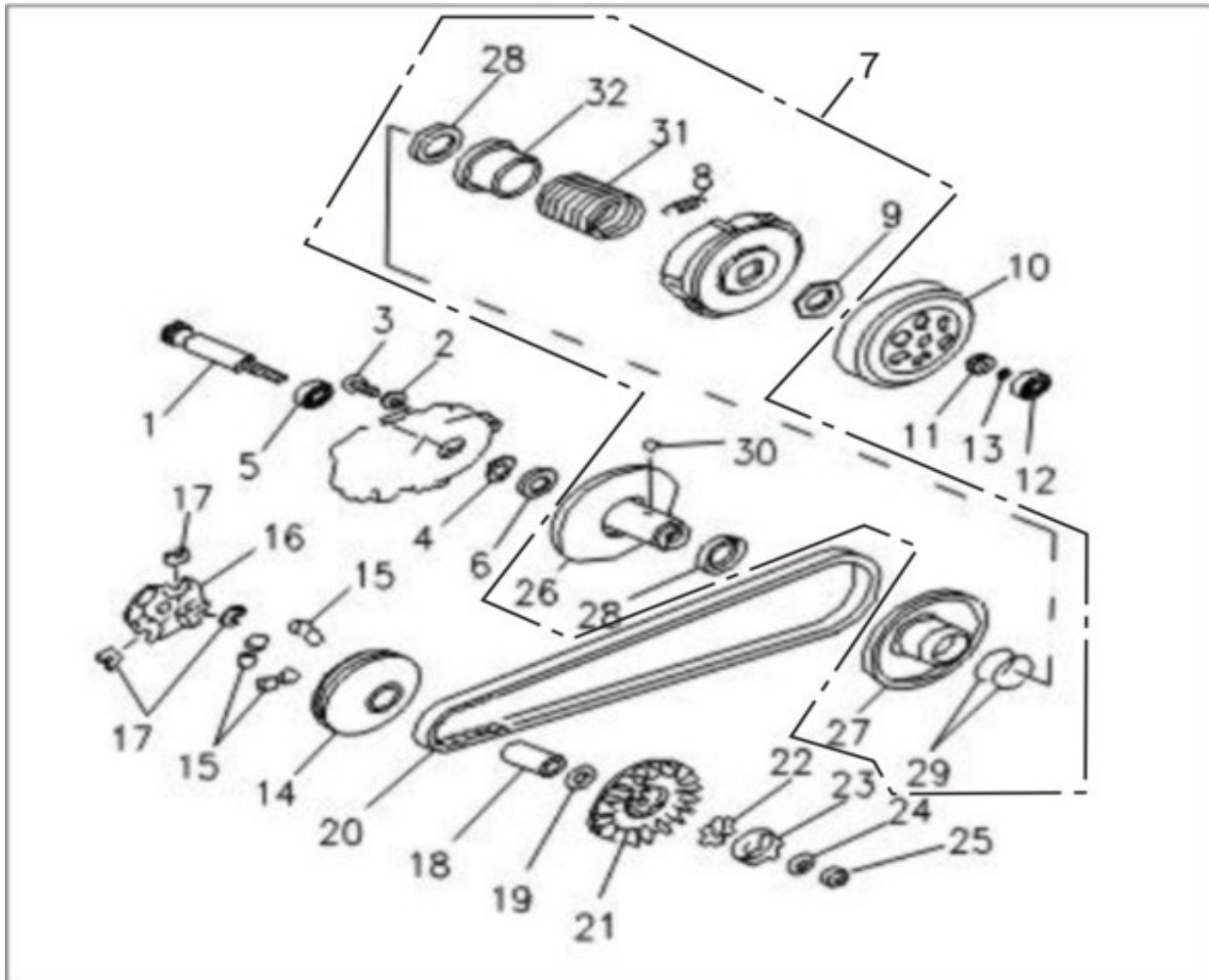




(Click line item in left column for more information)

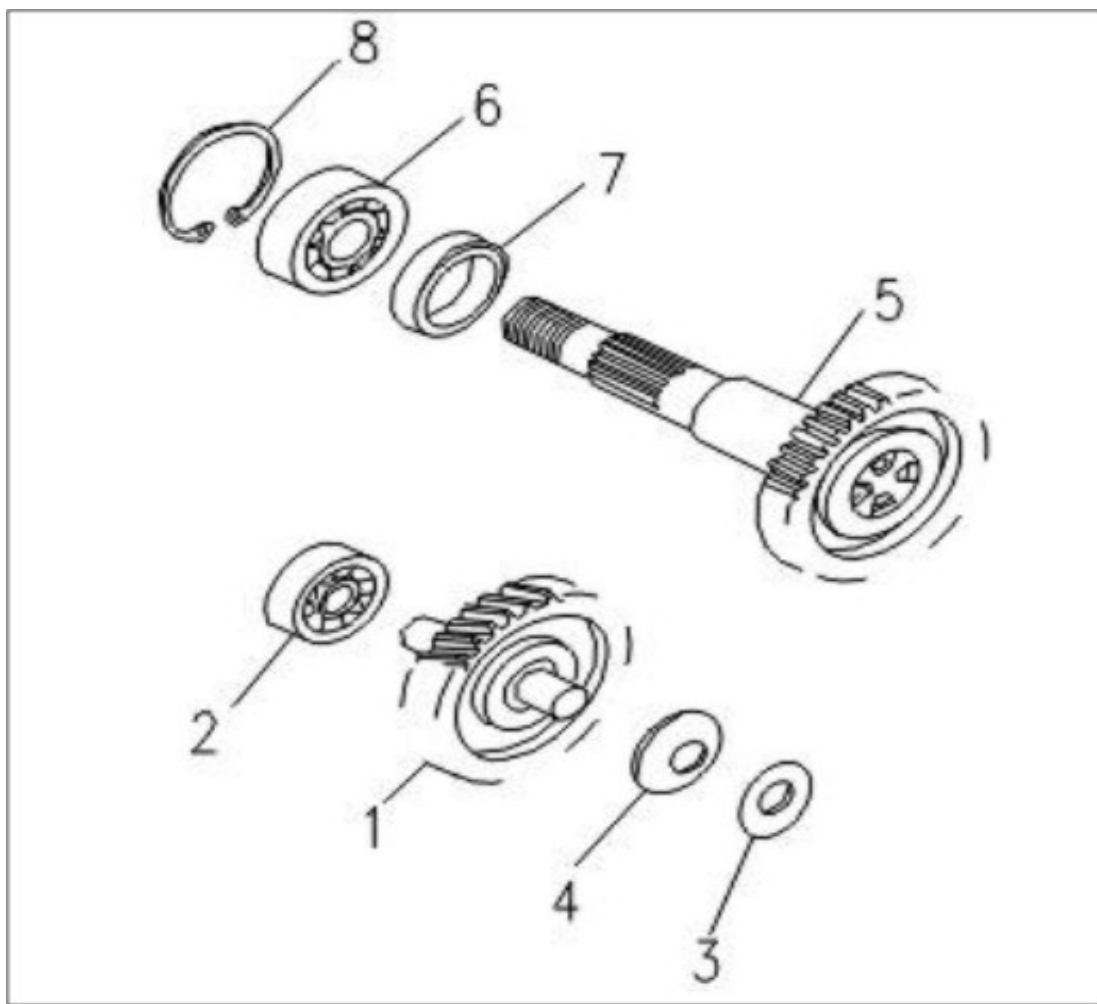
(Prices and specifications subject to change)

Item	P/N	Description
1	<a href="#">492J-E08.01</a>	Starter Clutch Gear
2	<a href="#">492J-E08.02</a>	Needle Bearing
3	<a href="#">492J-E08.03</a>	Bearing Washer
4	<a href="#">492J-E08.04</a>	One-way Clutch
5	<a href="#">492J-E08.05</a>	Starter Gear
6	<a href="#">492J-E08.06</a>	Starter Gear Axle
7	<a href="#">492J-E08.07</a>	Washer
8	<a href="#">492J-E08.08</a>	Idler Gear Holder
11	<a href="#">492J-E08.11</a>	Kick Starter Assy.



Item	P/N	Description
1	<a href="#">492J-E09.01</a>	Drive Shaft
7	<a href="#">492J-E09.07</a>	Clutch Assy.
10	<a href="#">492J-E09.10</a>	Clutch Drum
11	<a href="#">492J-E09.11</a>	Nut
12	<a href="#">492J-E09.12</a>	Bearing 638Z (8x28x8)
13	<a href="#">492J-E09.13</a>	O-ring
14	<a href="#">492J-E09.14</a>	Variator
15	<a href="#">492J-E09.15</a>	Rollers

16	<a href="#">492J-E09.16</a>	Roller Plate
17	<a href="#">492J-E09.17</a>	V-slides
18	<a href="#">492J-E09.18</a>	Sleeve
19	<a href="#">492J-E09.19</a>	Washer
20	<a href="#">492J-E09.20</a>	V-Belt (788x17x30)
21	<a href="#">492J-E09.21</a>	Fixed Pulley
22	<a href="#">492J-E09.22</a>	Star Washer
23	<a href="#">492J-E09.23</a>	One-way Collar
24	<a href="#">492J-E09.24</a>	Bowed Washer
25	<a href="#">492J-E09.25</a>	Nut



(Click line item in left column for more information)

(Prices and specifications subject to change)

Item	P/N	Description
1	<a href="#">492J-E10.01</a>	Idler Gear Assy.
2	<a href="#">492J-E10.02</a>	Bearing 200
3	<a href="#">492J-E10.03</a>	Washer
4	<a href="#">492J-E10.04</a>	Washer Spring
5	<a href="#">492J-E10.05</a>	Output Shaft Assy.
6	<a href="#">492J-E10.06</a>	Needle Bearing 6203
7	<a href="#">492J-E10.07</a>	Oil Seal
8	<a href="#">492J-E10.08</a>	Circlip 40