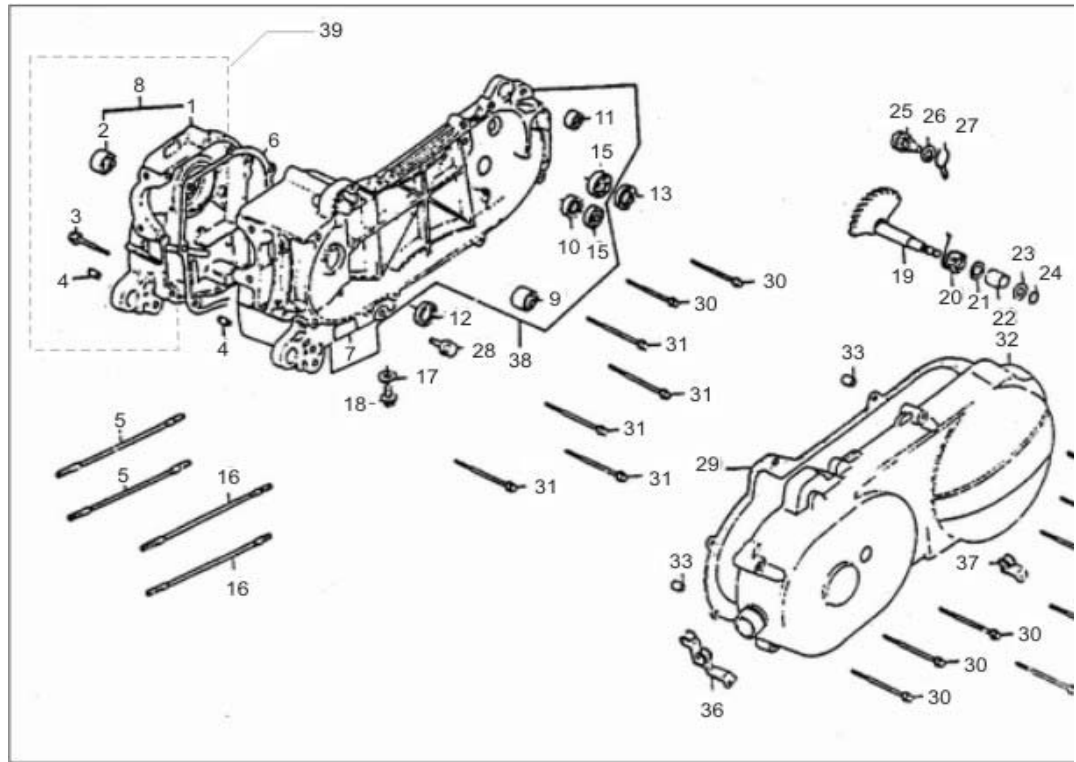


TNG ML49 this is the QMB49 49cc 4 stroke version of the ML49 by CMSI

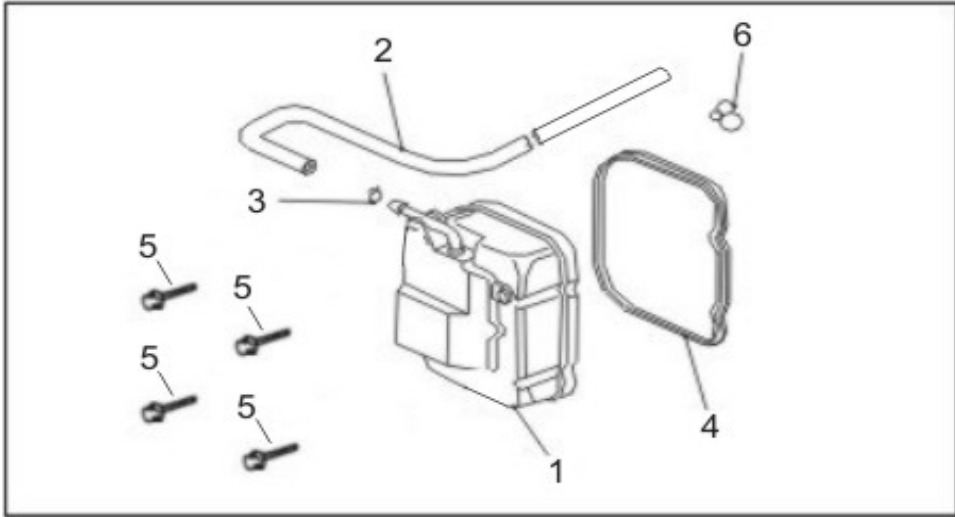


(Click line item in left column for more information)

(Prices and specifications subject to change)

Item	P/N	Description
1	494J-E01.01	R. case body
6	494J-E01.06	Gasket, Crankcase
10	VN49-E10.02	Radial bearing 6201
17	494J-E01.17	Washer 8
18	494J-E01.18	Bolt
19	494J-E01.19	Kick Start Gear
20	494J-E01.20	Spring, starting shaft
21	494J-E01.21	Sleeve
22	494J-E01.22	Bush, starting arm
23	494J-E01.23	Washer

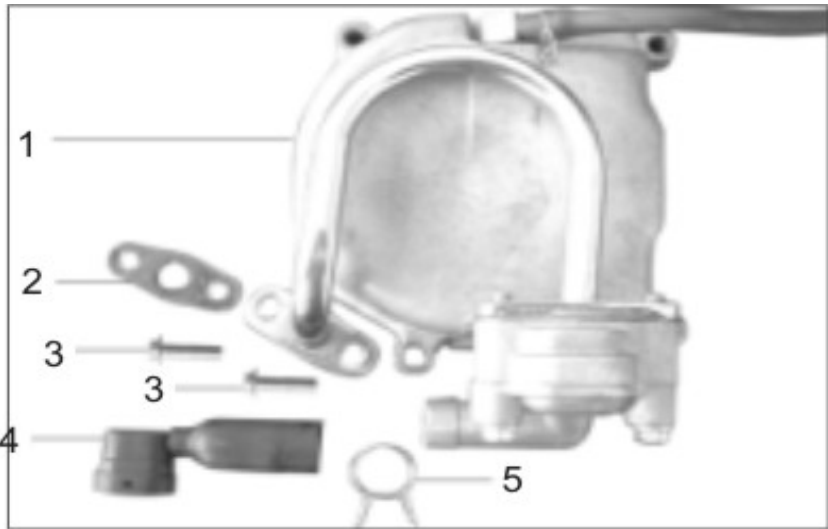
- 24 [494J-E01.24](#) Clip ring 14
- 25 [494J-E01.25A](#) Starting driven gear
- 29 [494J-E01.29](#) Gasket, L. Crankcase Cover
- 32 [494J-E01.32](#) Cover, L. Crankcase



(Click line item in left column for more information)

(Prices and specifications subject to change)

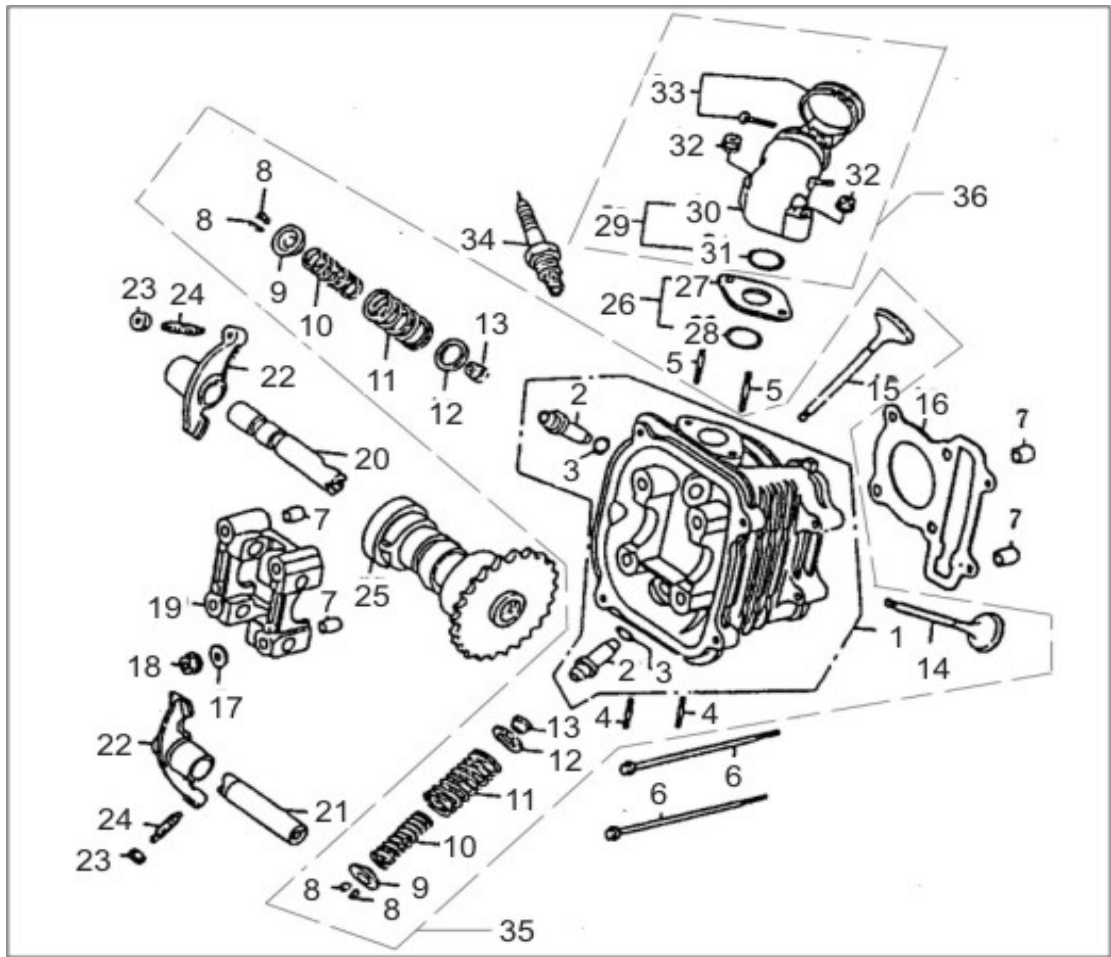
Item	P/N	Description
4	494J-E02.04	Valve cover gasket (Rubber)



(Click line item in left column for more information)

(Prices and specifications subject to change)

Item	P/N	Description
1	494J-E03.01	Cylinder head cover assy 2nd Air System
2	494J-E03.02	Gasket, Intake Pipe, Secondary Air Tube
3	494J-E03.03	Bolt M6x25
4	494J-E03.04	Air Filter Assy.

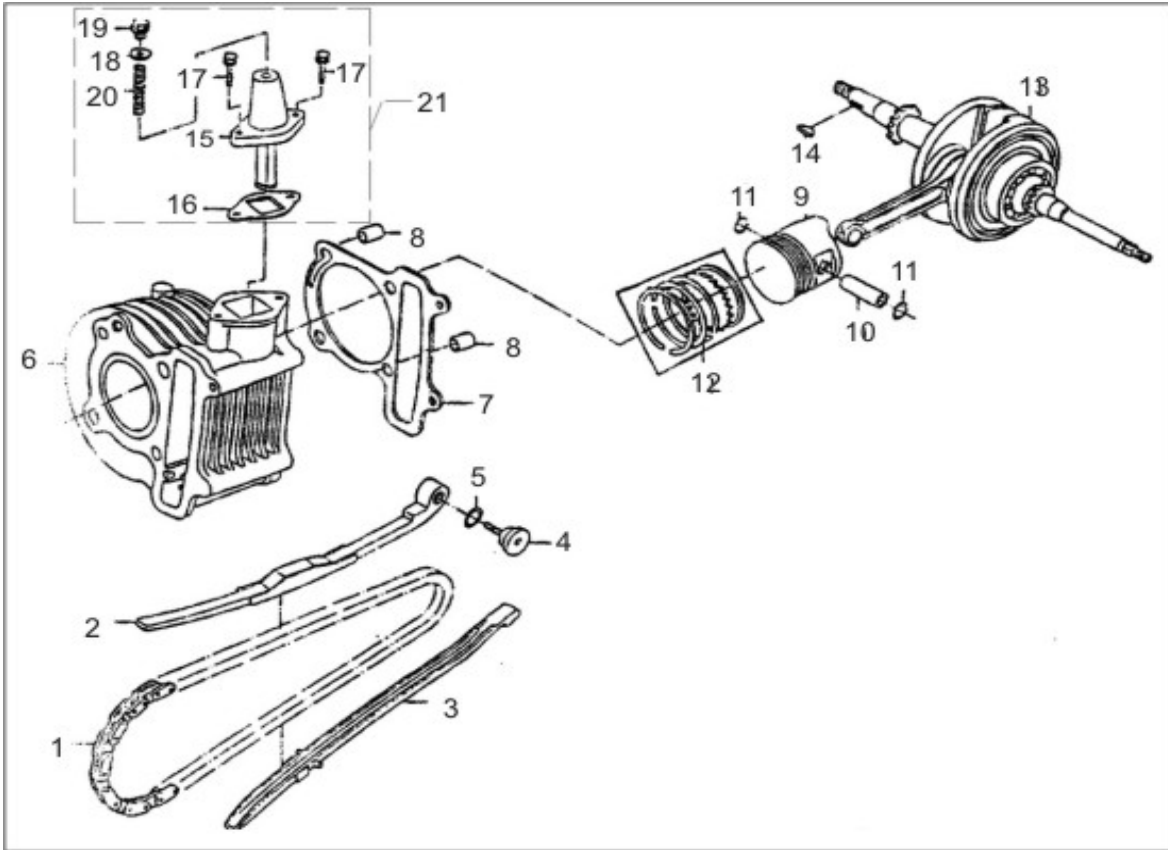


(Click the item in left column for more information)

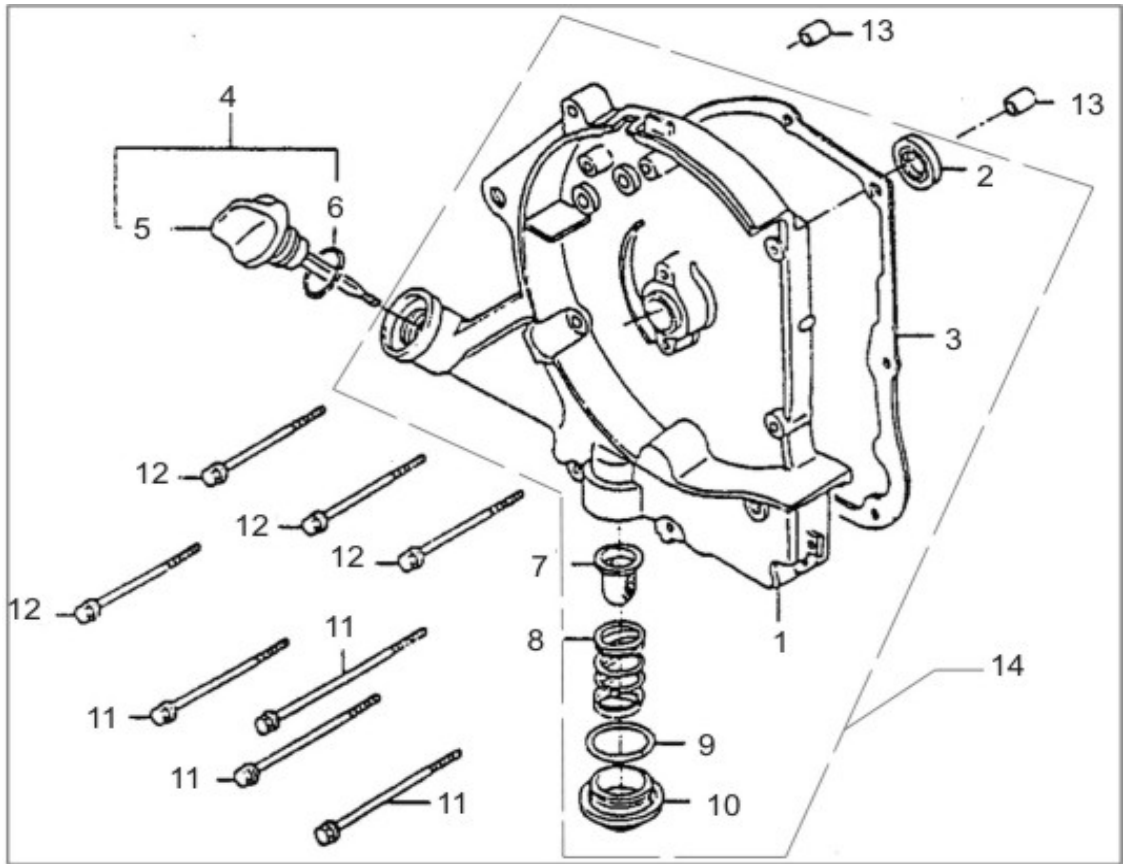
(Prices and specifications subject to change)

Item	P/N	Description
1	494J-E04.01A	Cylinder Head w/2nd Air System
16	494J-E04.16	Head gasket (Metal)
23	494J-E04.23	Adjusting nut, valve gap
24	494J-E04.24	Adjusting bolt, valve gap
26	494J-E04.26	Heat insulation plate comp., carburetor

- 33 [494J-E04.33](#) Inlet pipe clamp assy
- 35 [494J-E04.35](#) Cylinder Head Assy. W/secondary air system
- 36 [494J-E04.36](#) Inlet pipe comp.



Item	P/N	Description
6	494J-E05.06	Cylinder
7	494J-E05.07	Cylinder Base Gasket (Paper)
9	494J-E05.09	Piston
10	494J-E05.10	Pin, piston
11	494J-E05.11	Clip, piston pin
12	494J-E05.12	Piston ring comp.
13	494J-E05.13	Crankshaft comp.
14	494J-E05.14	Woodruff Key
16	494J-E05.16	Gasket, Chain Adjuster

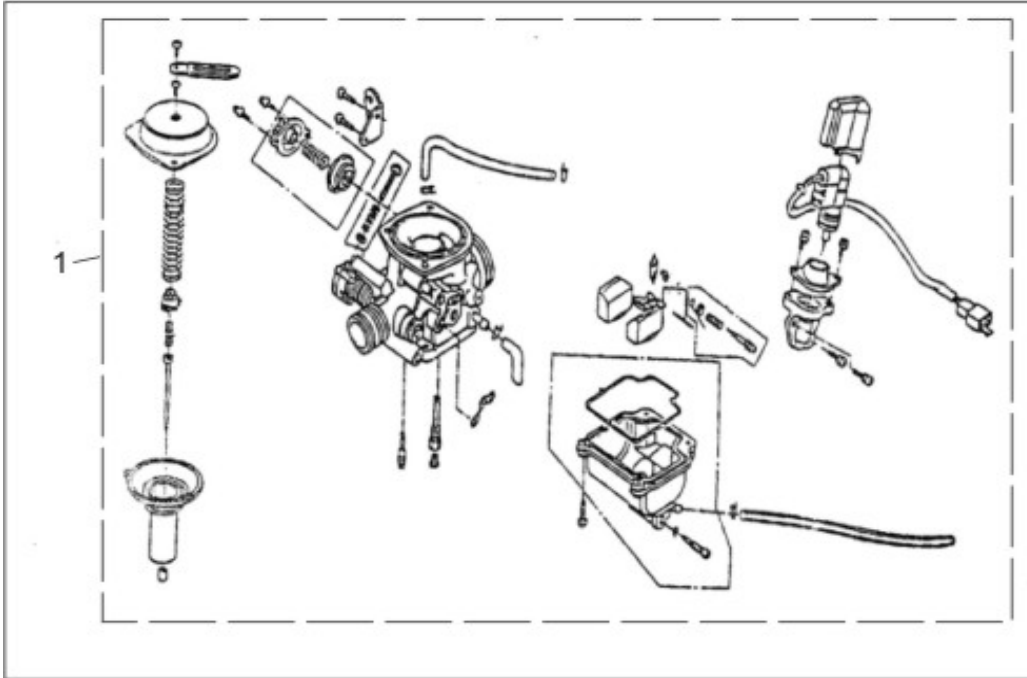


(Click line item in left column for more information)

(Prices and specifications subject to change)

ML 49 TNG 4 STROKE QMB139 50cc CMSI

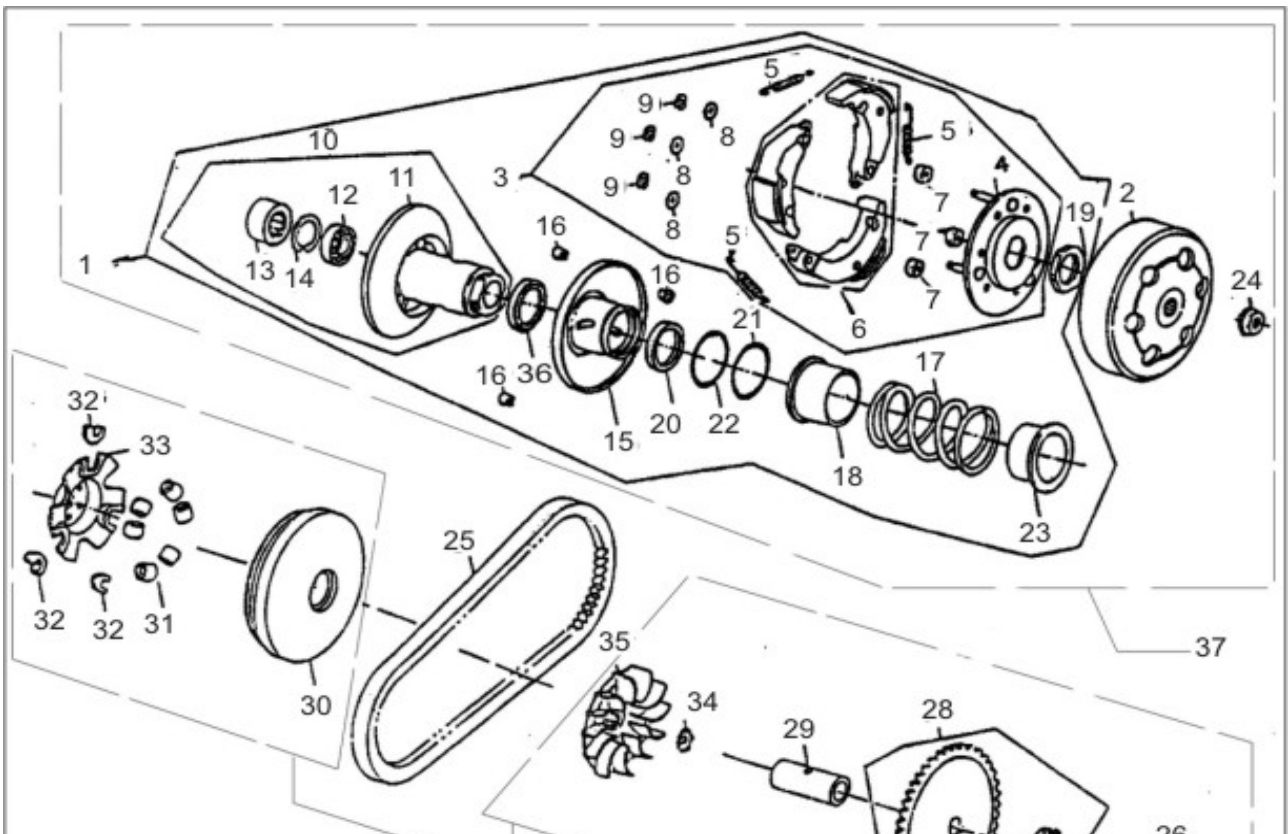
Item	P/N	Description
2	494J-E06.02	Oil seal 16.4x30x5
3	494J-E06.03	Gasket, R.Crankcase Cover
4	494J-E06.04	Dipstick Assy.
7	494J-E06.07	Oil filter screen
14	494J-E06.14	Cover comp. , Crankcase R.

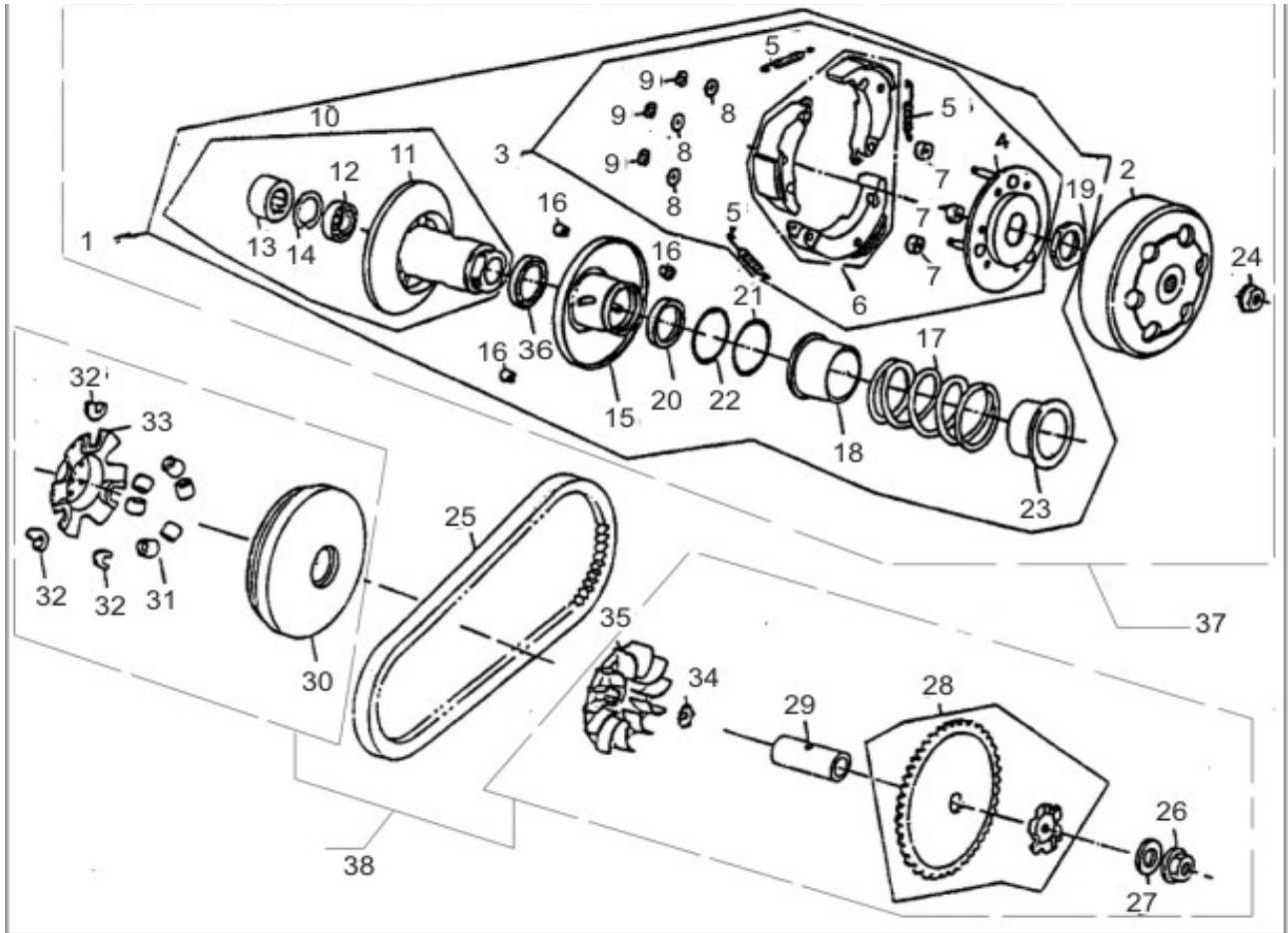


(Click line item in left column for more information)

(Prices and specifications subject to change)

Item	P/N	Description
1	494J-E07.01	Carburetor

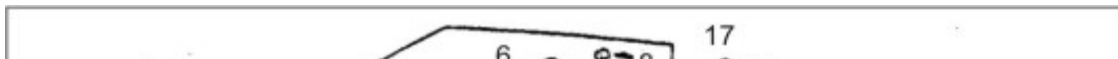


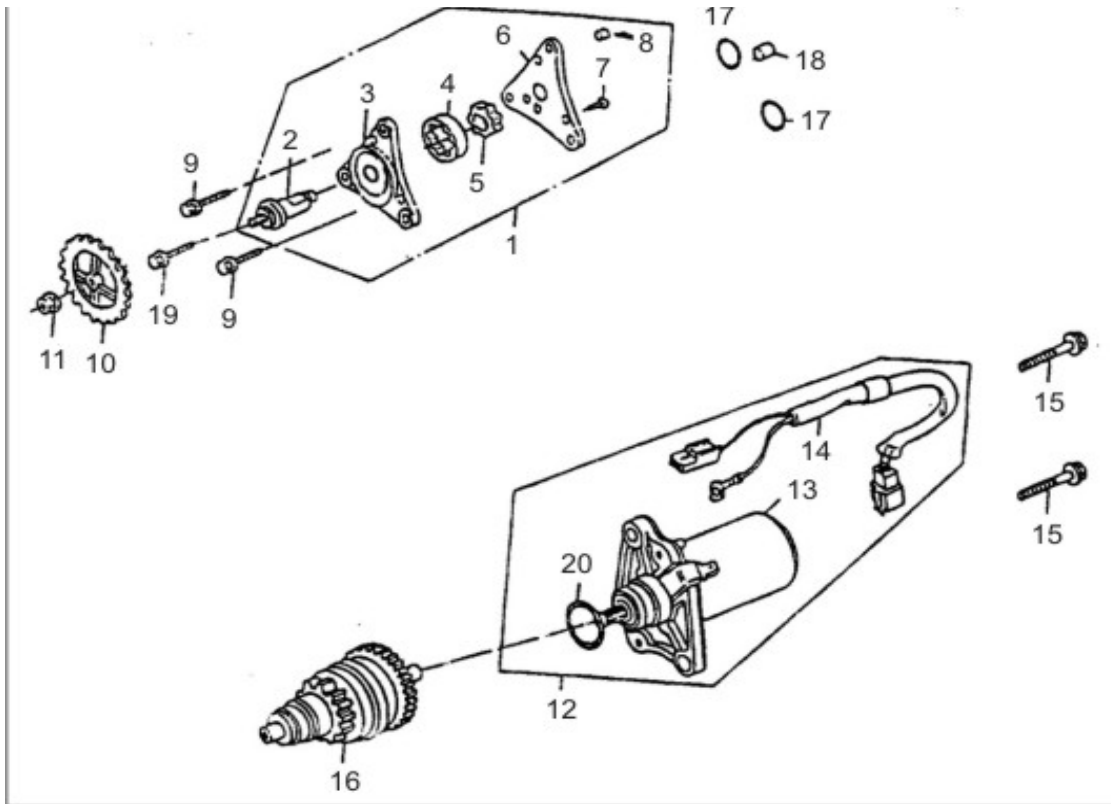


(Click line item in left column for more information)

(Prices and specifications subject to change)

Item	P/N	Description
1	494J-E08.01	Driven pulley comp.
2	494J-E08.02	Cover, Clutch
3	494J-E08.03	Clutch
25	494J-E08.25	V-Belt 669 18.1
31	494J-E08.31	Rollers
33	494J-E08.33	Bevel plate
35	494J-E08.35	Cooling fan
37	494J-E08.37	Clutch assy, RR.
38	494J-E08.38	Clutch assy, FR.

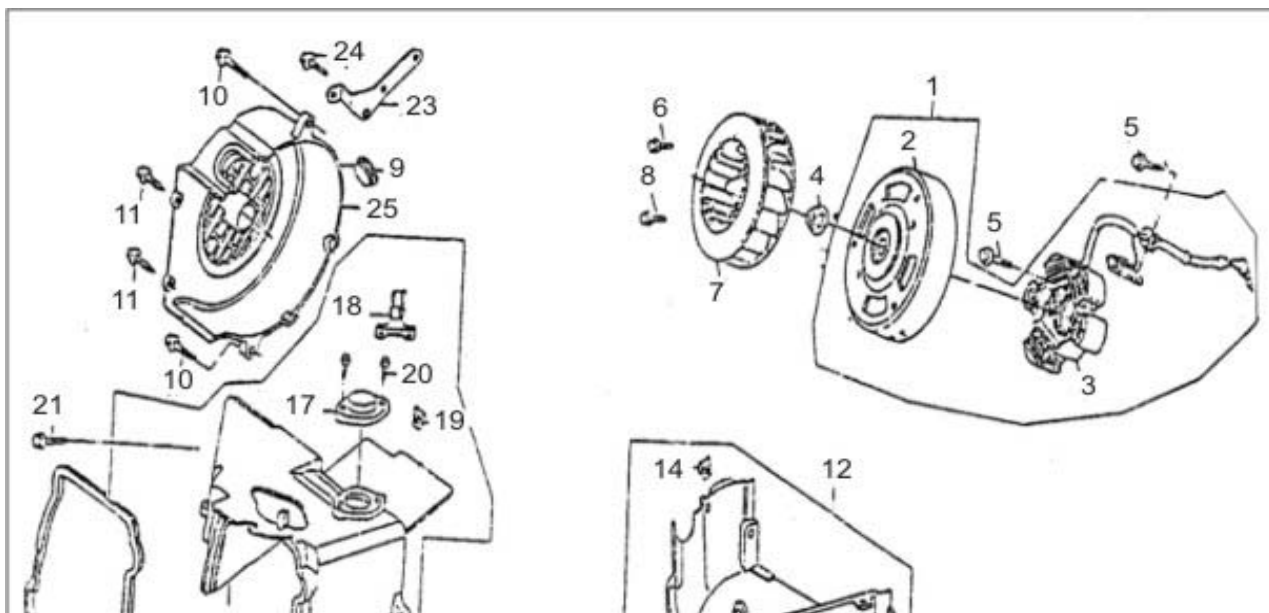


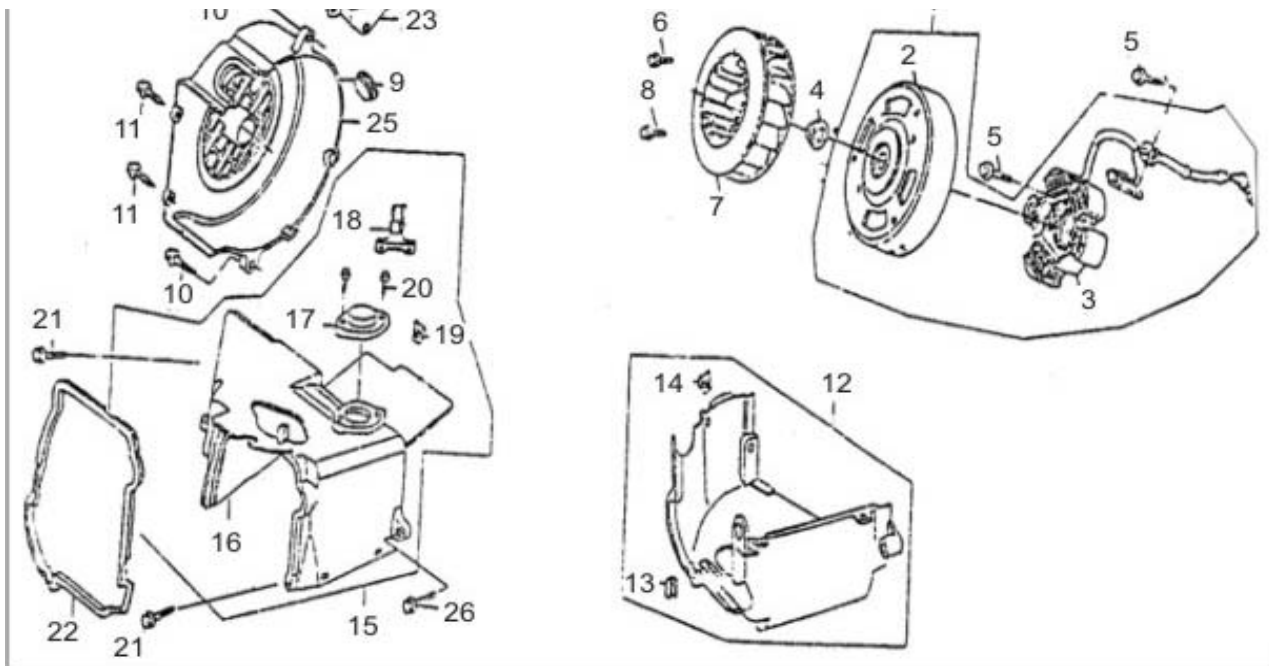


(Click line item in left column for more information)

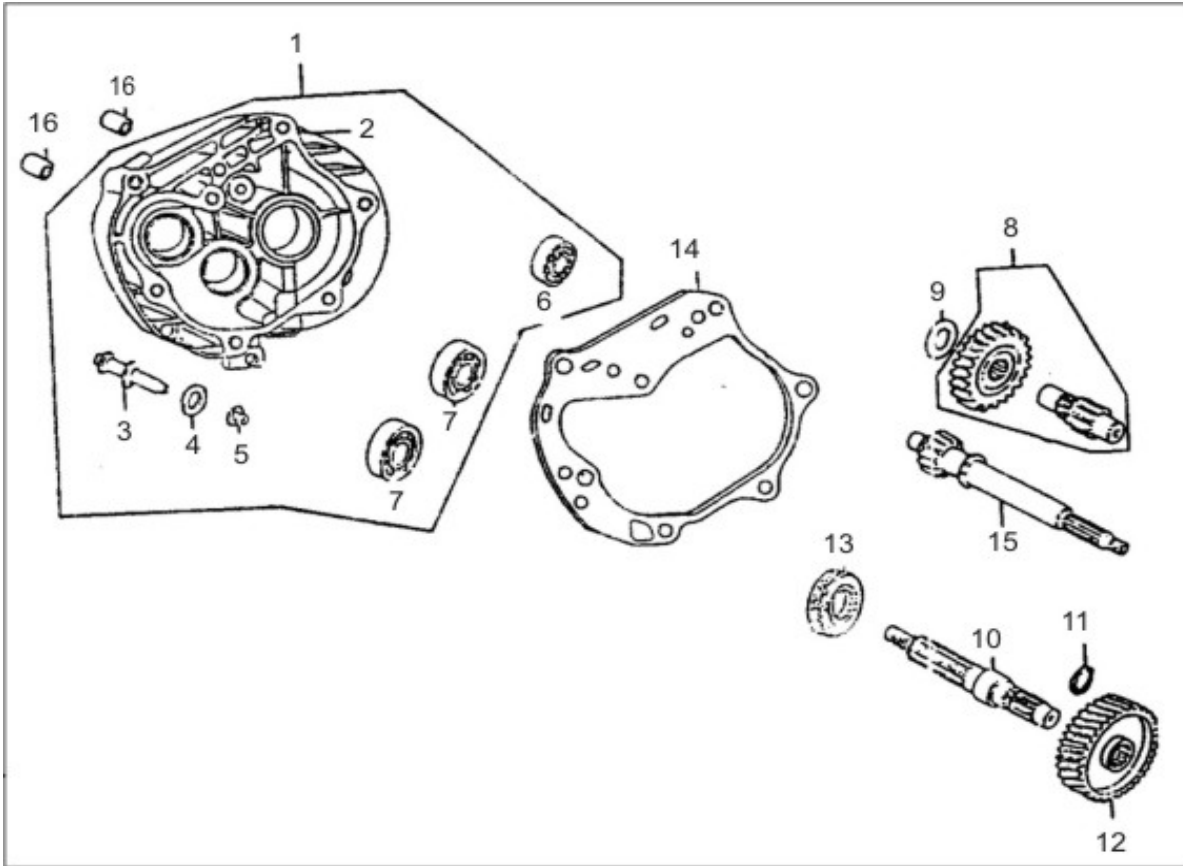
(Prices and specifications subject to change)

Item	P/N	Description
1	494J-E09.01	Oil pump set
12	494J-E09.12	Starting Motor Set
16	494J-E09.16	Starting Gear Comp.





Item	P/N	Description
1	494J-E10.01	Stator/Generator
7	494J-E10.07	Fan
12	494J-E10.12	A set, cover
15	494J-E10.15	B set, cover
22	494J-E10.22	Oil seal, cover
25	494J-E10.25	Cooling Fan Cover



(Click line item in left column for more information)

(Prices and specifications subject to change)

Item	P/N	Description
1	494J-E11.01	Spindle Head Set
8	494J-E11.08	Transmission Countershaft
9	494J-E11.09	Washer 12
10	494J-E11.10	Driven Shaft
12	494J-E11.12	Driven Gear
13	494J-E11.13	Oil seal 27x42x7
14	494J-E11.14	Lining, Spindle Cover
15	494J-E11.15	Driving Shaft