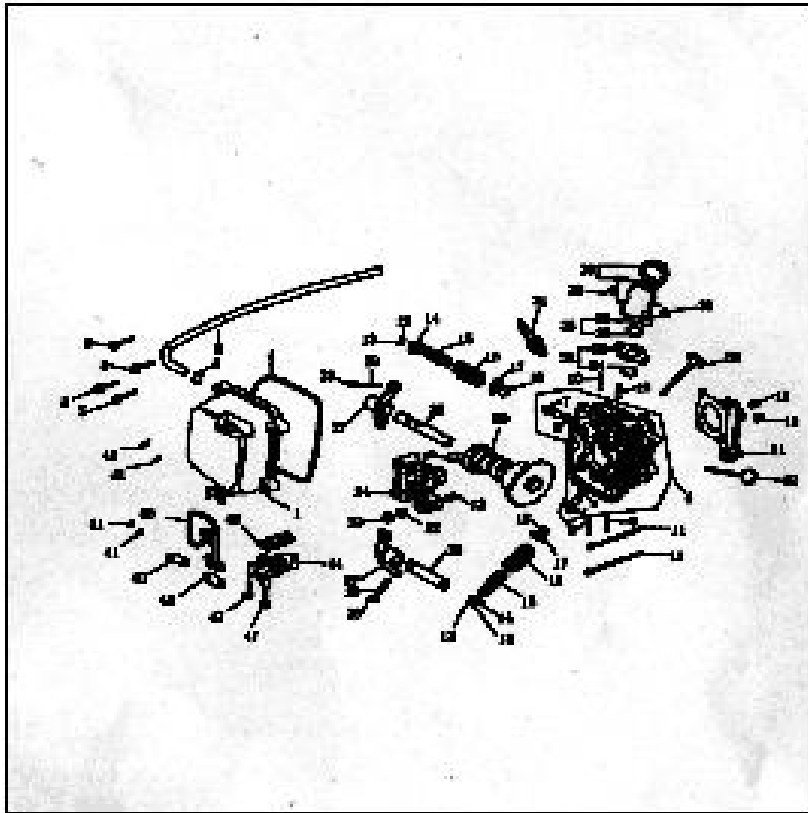


ML 49cc Version C Engine  
4 Stroke QMB



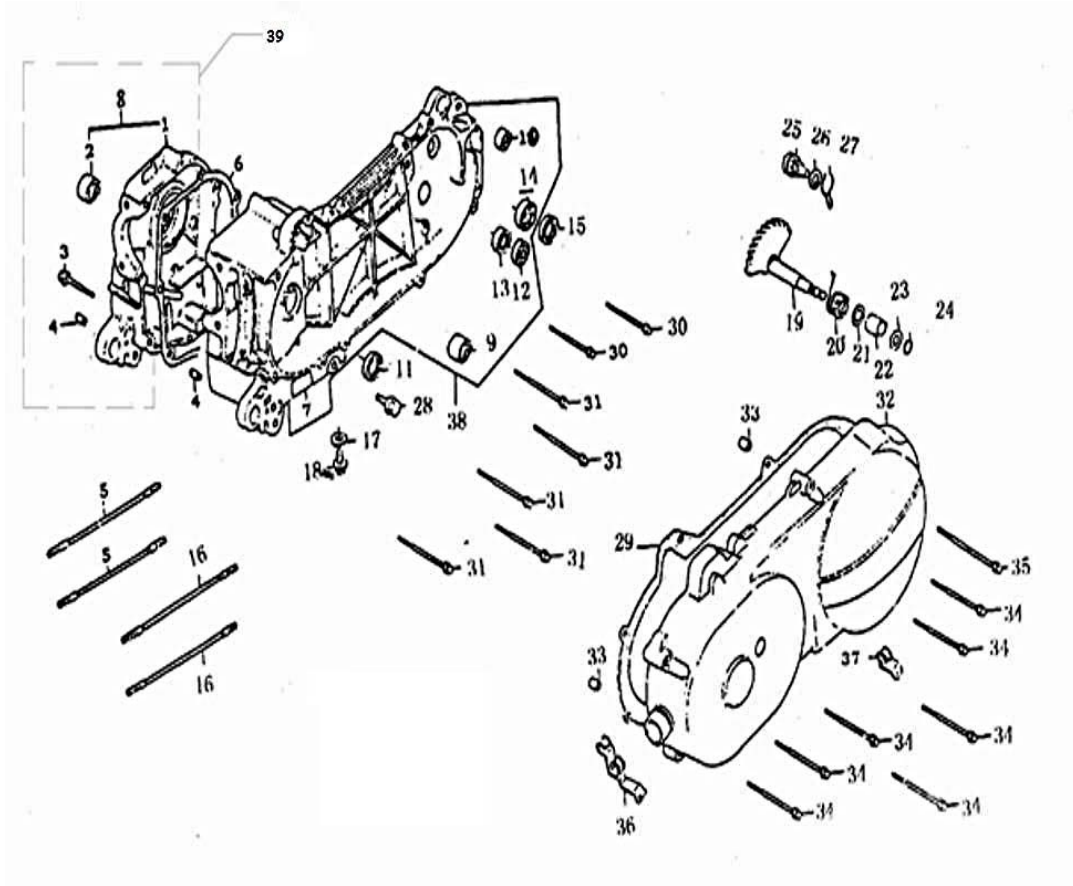
(Click line item in left column for more information)

(Prices €)

Item	P/N	Description
1	<a href="#">ML494-E01.01</a>	Cylinder Head Cover
2	<a href="#">ML494-E01.02</a>	Breather Tube
3	<a href="#">ML494-E01.03</a>	Tube Clip

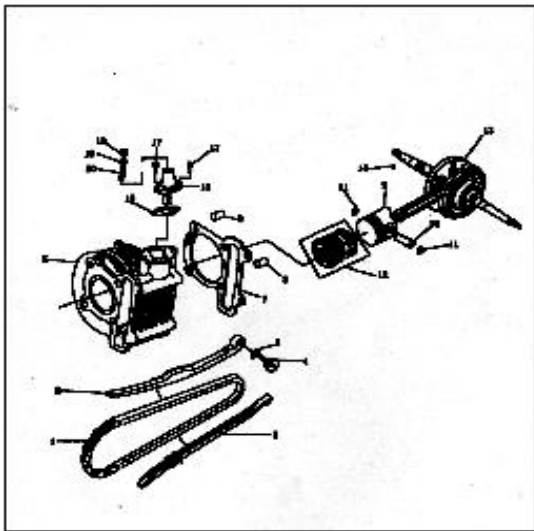
4	<a href="#">ML494-E01.04</a>	Valve Cover Gasket (Rubber)
5	<a href="#">ML494-E01.05</a>	Bolt, Flange 6x25 (Set of 4)
6	<a href="#">ML494-E01.06</a>	Cylinder Head Assy
7	<a href="#">ML494-E01.07</a>	Valve Guide
8	<a href="#">ML494-E01.08</a>	O-Ring 9x1.6
9	<a href="#">ML494-E01.09</a>	Bolt Stud 6x32
10	<a href="#">ML494-E01.10</a>	Bolt Stud 6x50
11	<a href="#">ML494-E01.11</a>	Bolt Stud 6x85
12	<a href="#">ML494-E01.12</a>	Pin 8x14
13	<a href="#">ML494-E01.13</a>	Valve Keeper
14	<a href="#">ML494-E01.14</a>	Upper Valve Spring Retainer
15	<a href="#">ML494-E01.15</a>	Inner Spring Valve
16	<a href="#">ML494-E01.16</a>	Outer Spring Valve
17	<a href="#">ML494-E01.17</a>	Lower Valve Spring Retainer
18	<a href="#">ML494-E01.18</a>	Valve, Oil Seal
19	<a href="#">ML494-E01.19</a>	Exhaust Valve
20	<a href="#">ML494-E01.20</a>	Intake Valve
21	<a href="#">ML494-E01.21</a>	Head gasket (Metal)
22	<a href="#">ML494-E01.22</a>	Washer 7mm
23	<a href="#">ML494-E01.23</a>	Flange Nut 7mm
24	<a href="#">ML494-E01.24</a>	Camshaft Holder
25	<a href="#">ML494-E01.25</a>	Inner Rocker Arm Shaft
26	<a href="#">ML494-E01.26</a>	Exhaust Rocker Arm Shaft
27	<a href="#">ML494-E01.27</a>	Rocker
28	<a href="#">ML494-E01.28</a>	Washer
29	<a href="#">ML494-E01.29</a>	Adjusting Screw

30	<a href="#"><u>ML494-E01.30</u></a>	Camshaft Assy
31	<a href="#"><u>ML494-E01.31</u></a>	Spark Plug, NGK
32	<a href="#"><u>ML494-E01.32</u></a>	Insulator, Intake Pipe
33	<a href="#"><u>ML494-E01.33</u></a>	Insulator Carburetor
34	<a href="#"><u>ML494-E01.34</u></a>	O-Ring 20.6x1.9
35	<a href="#"><u>ML494-E01.35</u></a>	Intake Pipe Assy
36	<a href="#"><u>ML494-E01.36</u></a>	Gasket, Intake Pipe
37	<a href="#"><u>ML494-E01.37</u></a>	O-Ring 20.6x1.9
38	<a href="#"><u>ML494-E01.38</u></a>	Nut Flange 6mm (Set of 2)
39	<a href="#"><u>ML494-E01.39</u></a>	Clamp
40	<a href="#"><u>ML494-E01.40</u></a>	Washer,Tube Breather
43	<a href="#"><u>ML494-E01.43</u></a>	Valve, Spring
44	<a href="#"><u>ML494-E01.44</u></a>	Cover,Valve Spring
45	<a href="#"><u>ML494-E01.45</u></a>	Washer ,Tube Breather
46	<a href="#"><u>ML494-E01.46</u></a>	Tube Breather



Item	P/N
1	<a href="#">ML494-E02.01</a>

7	<a href="#">ML494-E02.07</a>
23	<a href="#">ML494-E02.23</a>
30	<a href="#">ML494-E02.30</a>
31	<a href="#">ML494-E02.31</a>
32	<a href="#">ML494-E02.32</a>
33	<a href="#">ML494-E02.33</a>
35	<a href="#">ML494-E02.35</a>
38	<a href="#">ML494-E02.38</a>
39	<a href="#">ML494-E02.39</a>

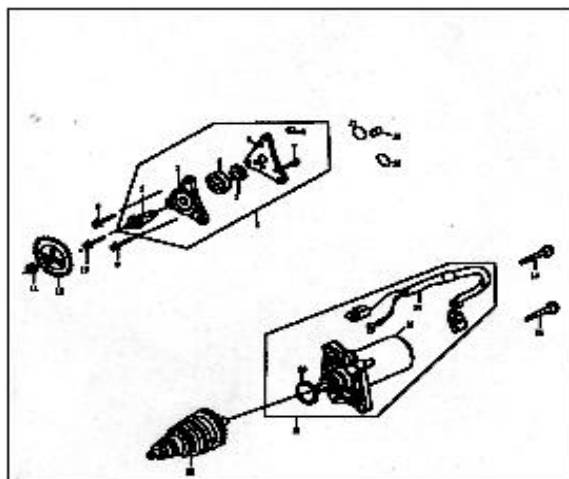


(Click line item in left column for more information)

(Prices €

Item	P/N	Description
1	<a href="#">ML494-E03.01</a>	Chain Cam
2	<a href="#">ML494-E03.02</a>	Tension Guide (Passive)
2	<a href="#">ML494-E03.02</a>	Tension Guide (Passive)
3	<a href="#">ML494-E03.03</a>	Tension Guide (Active)
4	<a href="#">ML494-E03.04</a>	Pivot Cam Tensioner
5	<a href="#">ML494-E03.05</a>	O-Ring 15.5x1.5
6	<a href="#">ML494-E03.06</a>	Cylinder
7	<a href="#">ML494-E03.07</a>	Cylinder Base Gasket (Paper)
8	<a href="#">ML494-E03.08</a>	Pin 8x14
9	<a href="#">ML494-E03.09</a>	Piston
10	<a href="#">ML494-E03.10</a>	Piston Pin
11	<a href="#">ML494-E03.11</a>	Piston Pin Clip
12	<a href="#">ML494-E03.12</a>	Piston Ring Set
13	<a href="#">ML494-E03.13</a>	Crankshaft
14	<a href="#">ML494-E03.14</a>	Key
15	<a href="#">ML494-E03.15</a>	Adjusting Screw
16	<a href="#">ML494-E03.16</a>	Cam Chain Tensioner Gasket

- 18      [ML494-E03.18](#)      Washer 8x16x1.6
- 19      [ML494-E03.19](#)      Adjusting Screw
- 20      [ML494-E03.20](#)      Spring



Item	P/N	Description
1	<a href="#">ML494-E04.01</a>	Oil Pump Assy
12	<a href="#">ML494-E04.12</a>	Starter Assy
16	<a href="#">ML494-E04.16</a>	Starter Gear Assy
17	<a href="#">ML494-E04.17</a>	O-Ring 9x1.6
18	<a href="#">ML494-E04.18</a>	CAP 8x10