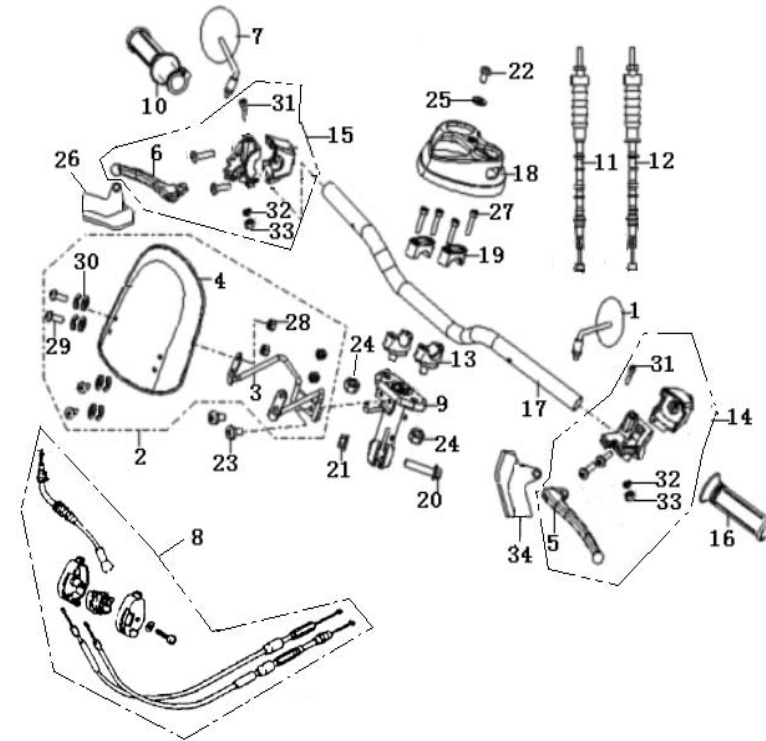


JCK(Q07-01)-QJ50QT-5-1F

操纵系总成I

CONTROL ASSY.

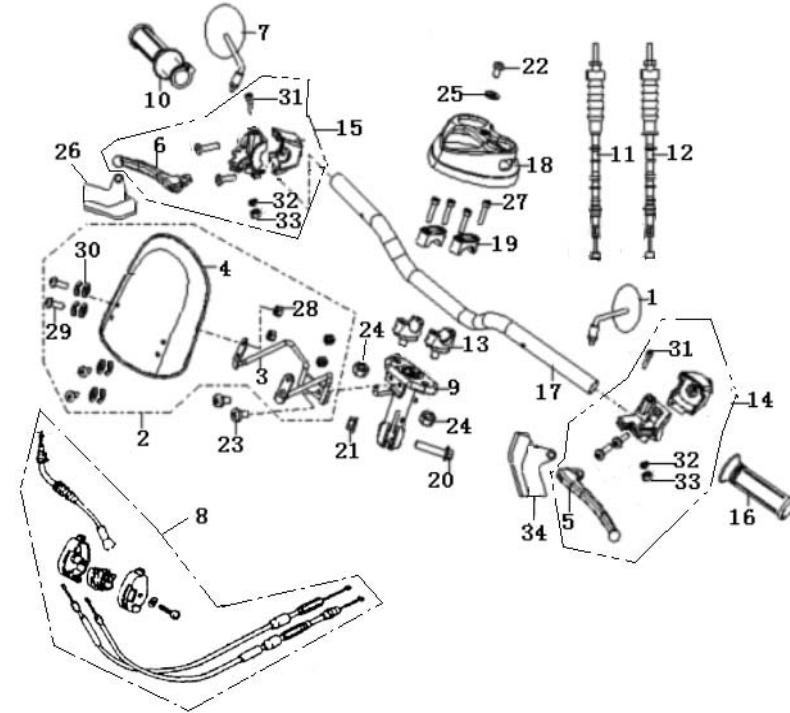
序号 代码	物料编码		数量	
NO. CODE	materiel coding		QTY.	
1	40450B130003	40450B130003	MIRROR ASSY, REAR VIEW, LH E7 000501	1
2	65500B50T000	65500B130000	COWLING ASSY	1
3	65510B50T000	65510B130000	SKELETON ASSY, SUPPORT	1
4	65501B50T000	65501B130000	COWLING	1
5	40002B50T000	40002B130000	LEVER , L	1
6	40014B50T000	40014B130000	LEVER , R	1
7	40480B130003	40480B130003	MIRROR ASSY, REAR VIEW, RH E7 000501	1
8	40300B50T001	40300B130000	CABLE ASSY., THROTTLE	1
9	40180B50T000	40180B130000	MOUNTING SEAT, HANLEBAR	1
10	40210B50T000	40210B130000	GRIP ASSY, RH(BLACK)	1
11	40250B50T000	40250B130000	CABLE ASSY., FRONT BRAKE	1
12	40270B50T000	40270B130001	CABLE ASSY., REAR BRAKE	1
13	43013B50T000	43013B130000	BRACKET, HANDLEBAR, LOWER	2
14	40500B50T001	40500B130001	SWITCH ASSY., LH	1
15	40600B50T002	40600B130003	SWITCH ASSY., RH	1
16	40001B50T000	40001B130000	GRIP, LH(BLACK)	1
17	40101B50T000	40101B130001	HANLEBAR	1
18	43005B50T000	57136B130000	COVER, MOUNTING SEAT	1
19	43014B50T000	43014B130000	BRACKET, HANDLEBAR, UPPER	2
20	B01591004565	B01591004565	BOLT 10×1.25×45MM	1



操纵系总成I
CONTROL ASSY.

序号	代码	物料编码		数量
NO.	CODE	materiel coding		QTY.
21	B04171012555	B04171012555	NUT 10×1.25MM	1
22	B02000501225	B02000501225	SCREW 5×12MM	1
23	B01070601265	B01070601265	SCREW 6×12MM	2
24	B04171012555	B04171012555	NUT 10×1.25MM	2
25	B07030000505	B07030000505	WASHER 5	1
26	40008B0ET000	40008B020000	JACKET, BRAKE CABLE	1
27	B01070603064	B01070603064	BOLT 6×30MM	4
28	B04070500055	B04070500055	NUT 5MM	4
29	B02060501425	B02060501425	SCREW 5×14MM	4
30	65509B50T000	65509B130000	RUBBER WASHER	4
31	40015B50T000	40015B130000	SCREW	2
32	B07000000505	B07000000505	WASHER 5	2
33	B04000500063	B04000500063	NUT 5MM	2
34	40007B0ET000	40007B020000	JACKET, LEVER L	1

标记 处数 更改文件号 签字 日期

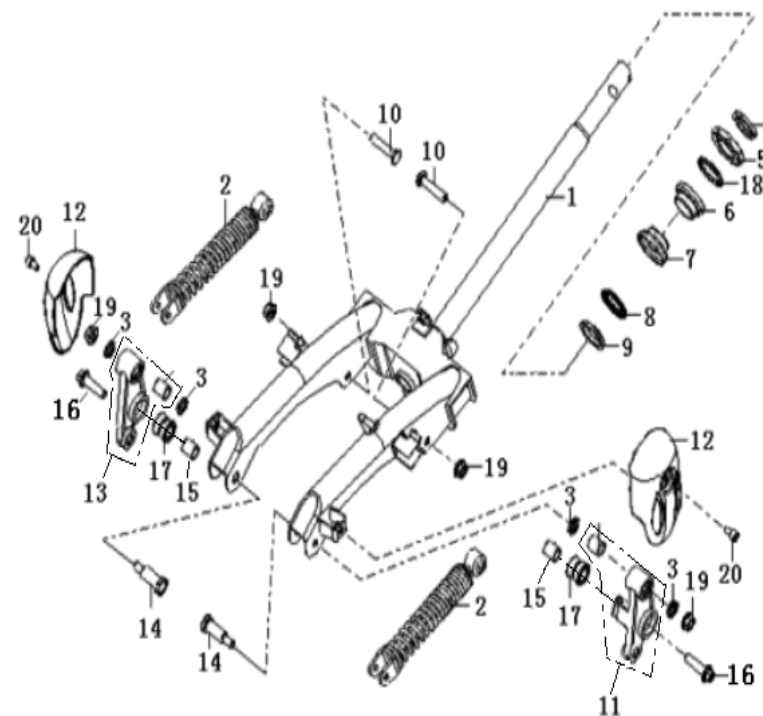


标记 处数 更改文件号 签字 日期

前震器总成

FRONT FORK ASSY.

序号	代码	物料编码		数量
NO.	CODE	materiel coding		QTY.
1	43100B50T000	43100B130000	LOWER BRACKET ASSY.	1
2	43200B50T000	43200B130000	FRONT CUSHION ASSY	2
3	43910B50T000	43910B130000	SEAL ASSY	4
4	43017J0ET000	43017T020000	NUT, STEERING STEM	1
5	43001B50T000	43001B130000	RACE, UPPER, UPPER BEARING	1
6	43002B50T000	43002B130000	RACE, LOWER, UPPER BEARING	1
7	43003B50T000	43003B130000	RACE, UPPER, LOWER BEARING	1
8	43131B50T000	43131B130000	RETAINER, BEARING	1
9	43004B50T000	43004B130000	RACE, LOWER, LOWER BEARING	1
10	08011B50T000	08011B130000	BOLT	2
11	43950B50T000	43950B130000	LEVER, LH. FRONT FORK	1
12	43012B50T000	47760B500000	DECORATION PLATE	2
13	43900B50T000	43900B130000	LEVER, RH. FRONT FORK	1
14	08012B50T000	08012B130000	BOLT	2
15	43901B50T000	43901B130000	BUSH	2
16	08013B50T000	08013B130000	BOLT	2
17	43904B50T000	43904B130000	WASHER, RUBBER	2
18	B06010110000	B06010110000	BALL, STEEL	25
19	B04070800055	B04070800055	NUT 8MM	4
20	B01090601664	B01090601664	BOLT 6X16MM	2

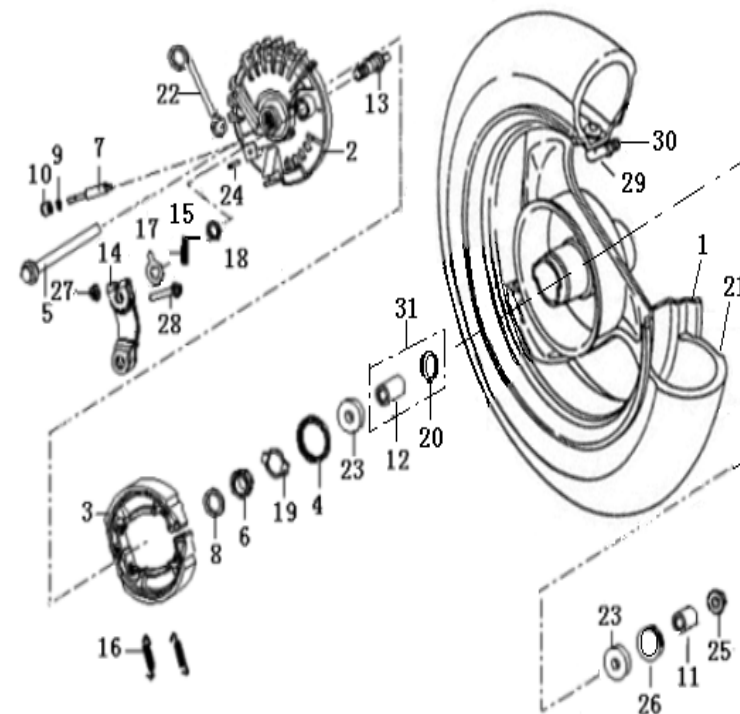


标记 处数 更改文件号 签字 日期

前轮总成

FRONT WHEEL ASSY.

序号	代码	物料编码		数量
NO.	CODE	materiel coding		QTY.
1	44100B130001	44101B130000	RIM, FRONT WHEEL	1
2	44400B0AT000	44400B070000	PANEL ASSY.	1
3	44500B0AT000	54200B910000	BRAKE SHOE	2
4	44300B0AT000	44300B070000	DUST SEAL	1
5	44004B50T000	44004B130000	AXLE, FRONT WHEEL	1
6	44201B0AT000	44201B040000	GEAR, SPEEDOMETER	1
7	44202B0AT000	44202B040000	PINION, SPEEDOMETER	1
8	44203B0AT000	44203B040000	WASHER, GEAR	1
9	44204B0AT000	44204B040000	WASHER, PINION	1
10	44205B0AT000	44205B040000	BUSH, PINION	1
11	44016B50T000	44016B130000	SPACER, RH.	1
12	44601B0AT000	44601B040000	BUSH, MID	1
13	44003B0AT000	44003B040000	CAMSHAFT, FR. BRAKE	1
14	44007B0AT000	44007B070000	LEVER, FR. BRAKE	1
15	44008B0AT000	44008B040000	SPRING, BRAKE RETURN	1
16	44001B0AT000	44001B040000	SPRING, BRAKE SHOE	2
17	44002B0AT000	44002B070000	INDICATOR, WEAR	1
18	44015B0AT000	44015B040000	SEAL, CAMSHAFT	1
19	44023B0AT000	44023B040000	PLATE, DRIVING	1
20	44602B0AT000	44602B040000	FLANGE SPACER	1



标记 处数

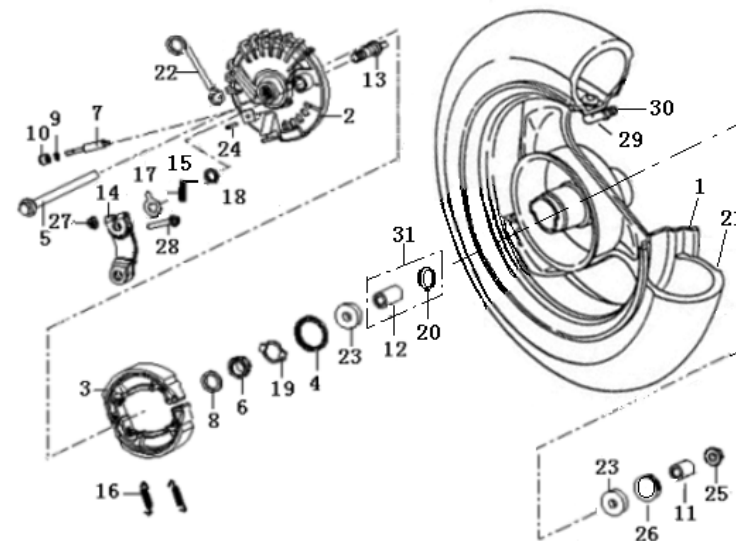
更改文件号 签字

日期

前轮总成

FRONT WHEEL ASSY.

序号	代码	物料编码		数量
NO.	CODE	materiel coding		QTY.
21	B140104F10AA	B140104F1011	TIRE (90/90-10)	1
22	44019B50T000	44019B130000	CLIP	1
23	B12046020000	B12046020000	BEARING	2
24	B02020502025	B02020502025	SCREW 5X20MM	1
25	B04171012555	B04171012555	NUT 10X1.25MM	1
26	44300B50T000	44300B130000	OIL SEAL	1
27	B04170600055	B04170600055	NUT 6MM	1
28	B01010603525	B01010603525	BOLT 6X35MM	1
29	B1403Z201100	B1403Z201120	RIM , VALVE	1
30	B1404Z2011C0	B1404Z2011C0	CAP, VALVE	1
31	44600B0AT000	44600B040000	SPACER ASSY,FR.WHEEL	1



标记 处数

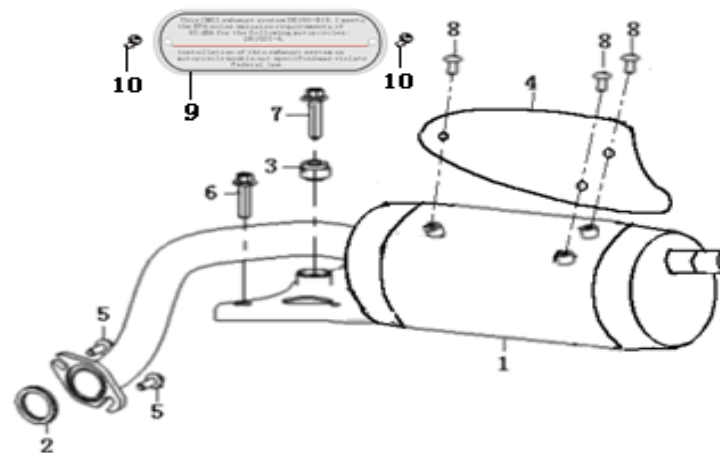
更改文件号 签字

日期

消音器

MUFFLER

序号	代码	物料编码		数量
NO.	CODE	materiel coding		QTY.
1	47100B0DT001	47100B130003	MUFFLER	1
2	47800B0DT000	47800B070000	GASKET,EXHAUST PIPE	1
3	47740B0ET000	47740B020000	BUSH ASSY	1
4	47760B0CT000	47760B500000	COVER,MUFFLER	1
5	B01070601665	B01070601665	BOLT 6X16MM	2
6	B01070802065	B01070802065	BOLT 8X20MM	1
7	B01070803065	B01070803065	BOLT 8X30MM	1
8	B01070600865	B01070600865	BOLT 6X8MM	3
9	05551B130001	05551B130000	STIKER .MUFFLER	1
10	B100432007P0	B100432007P0	RIVET3.2X7	2



标记 处数

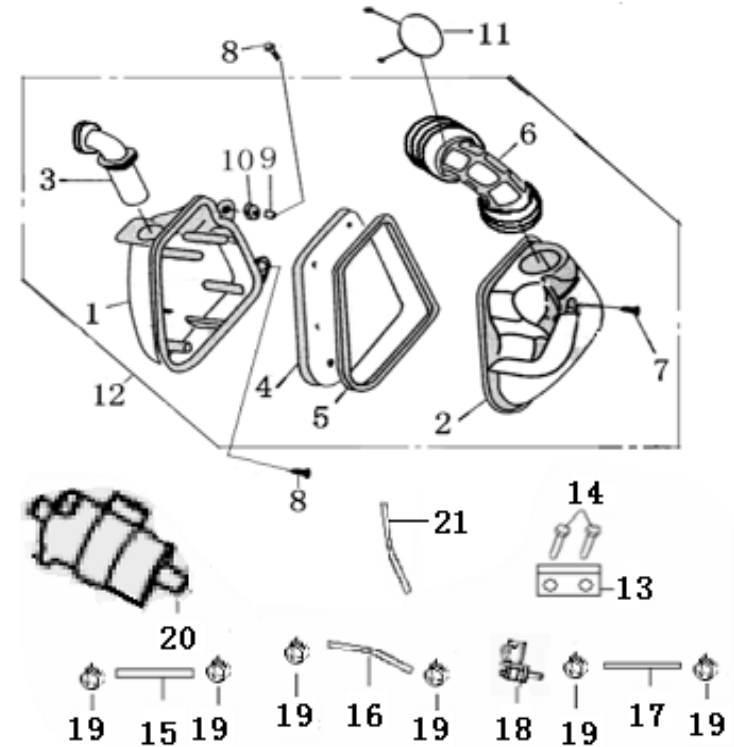
更改文件号 签字

日期

空滤器总成

AIR CLEANER ASSY.

序号	代码	物料编码		数量
NO.	CODE	materiel coding		QTY.
1	49101B0AT000	49101B040000	CASE, AIR CLEANER	1
2	49001B0AT000	49001B040000	COVER, AIR CLEANER	1
3	49002B0AT000	47302T030000	GUIDE PIPE	1
4	49200B0AT000	49200B040000	FILTER	1
5	49013B0AT000	49013B040000	SEAL GASKET	1
6	49005B0AT000	49005B040000	CONNECTING PIPE	1
7	B05075002505	B05075002505	TAPPING SCREW	3
8	B13140602005	B13140602005	SCREW 6×20MM	2
9	49004B0AT000	49004B040000	BUSH	2
10	49022B0AT000	49022B040000	GROMMET	2
11	49016F0BT000	49016F0BT000	CLIP φ42.5	1
12	49000B0AT000	49100B040002	AIR CLEANER ASSY.	1
13	57051B2GT000	57051B920000	PLATE, ONE WAY VALVE	1
14	B0109061265	B0109061265	SCREW 6×12MM	2
15	49853B50T000	49853B130000	HOSE II 85MM	1
16	49852B50T000	49852B130000	HOSE I 400MM	1
17	49851B50T000	49851B130000	HOSE 600MM	1
18	49840B50T000	49840B130000	ONE WAY VALVE II	1
19	49805BMBT000	49805B920000	SPRING II, LOCK φ17.5	6
20	49870G00S000	49870W020000	AIR CLEANER, SMALL	1
21	96001B20T000	96001B030000	BINDING BAND	2

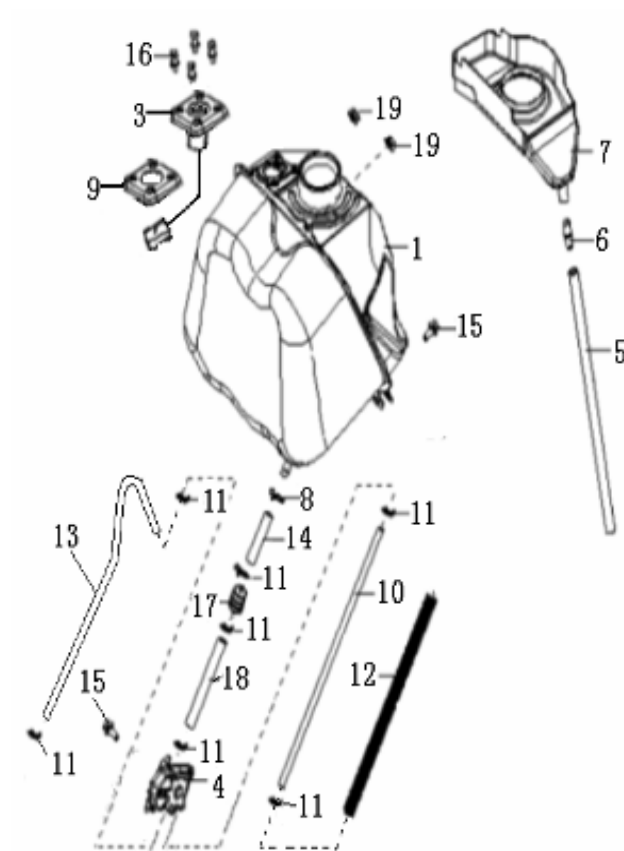


标记 处数 更改文件号 签字 日期

油箱总成

FUEL TANK ASSY.

序号	代码	物料编码		数量
NO.	CODE	materiel coding		QTY.
1	50100B50T001	50100B130001	FUEL TANK COMP.	1
3	50800B50T000	50800B130000	GAUGE ASSY, FUEL LEVEL	1
4	50320B50T000	50320B130000	SHUTOFF ASSY., FUEL TANK	1
5	50012B50T000	50012B130000	PIPE, WATER 7×11×486	1
6	50013B50T000	50013B130000	CONNECT PIPE	1
7	50011B50T000	50011B130000	CUSHION, ANTI-WATER	1
8	B17010090003	B17010090003	CLIP φ9	1
9	50004B50T000	50004B130000	RUBBER JOINT, . GAUGE	1
10	50301B920001	50301B920001	FUEL HOSE1, φ5×10×250	1
11	B17010090003	B17010090003	CLIP 8	6
12	50324B50T000	50324B130000	SPRING, AIR HOSE	1
13	B16010422801	B16010422801	FUEL HOSE φ4X2X280	1
14	B16010520601	B16010520601	FUEL HOSE φ5×10×60	1
15	B01090601665	B01090601665	BOLT 6×16MM	2
16	B13140501405	B13140501405	BOLT ASSY. 5×14MM	4
17	50340B50T000	50340B130000	FILTER, FUEL	1
18	50306K310000	50306K310000	FUEL HOSE φ5×10×115	1
19	B04070600055	B04070600055	NUT	2

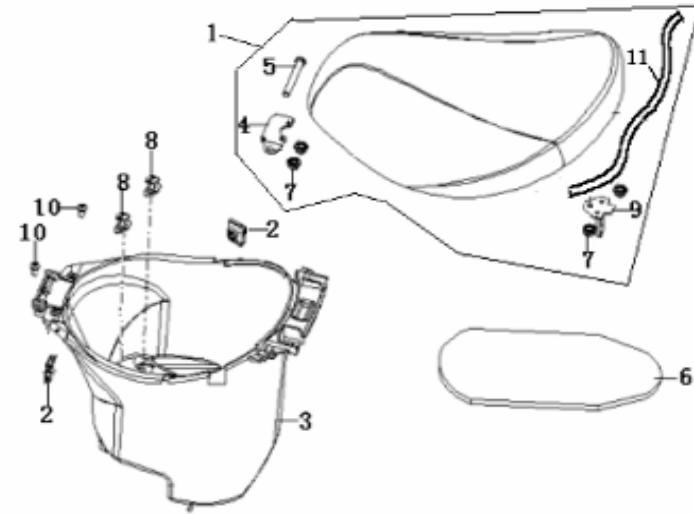


标记 处数 更改文件号 签字 日期

座垫总成

SEAT ASSY.

序号	代码	物料编码		数量
NO.	CODE	materiel coding		QTY.
1	51100B13000C	51100B13000C	SEAT COMP.	1
1	51100B50T000	51100B13000D	SEAT COMP.	1
2	65803J0ET000	65803T020000	NUT ASSY. 6MM	2
3	52210B130001	52210B130001	LUGGAGE BOX	1
4	51083B50T000	51083B130000	PLATE, CONNECTING	1
5	51001B50T000	51001B130000	PIN, FIXING	1
6	51006B50T000	51006B130000	COVER, LOWER	1
7	B04070600053	B04070600053	NUT 6MM	3
8	B13060601605	B13060601605	BOLT ASSY. 6×16MM	2
9	51070B50T000	51070B130000	BRACKET COMP.	1
10	B05004801605	B05004801605	SCREW 4.8×16MM	2
11	51490B50T001	51490B130001	AIRPROOF STRIP	1



标记 处数

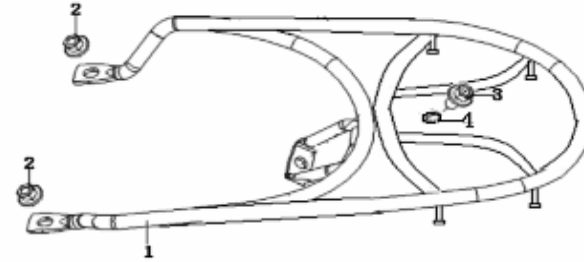
更改文件号 签字

日期

货架总成

CARRIER ASSY.

序号	代码	物料编码		数量
NO.	CODE	materiel coding		QTY.
1	52100B50T001	52100B130000	BODY, REAR CARRIER.	1
2	B04070600055	B04070600055	NUT 6MM	2
3	B01070801664	B01070801664	BOLT 8×16MM	1
4	B07030000804	B07030000804	WASHER 8MM	1



标记 处数

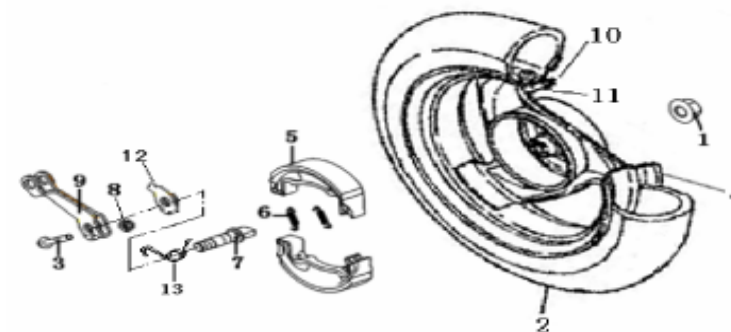
更改文件号 签字

日期

后轮总成

REAR WHEEL ASSY.

序号	代码	物料编码		数量
NO.	CODE	materiel coding		QTY.
1	B04171415054	B04171415054	NUT 14×1.5MM	1
2	B140104F10AA	B140104F1011□	TIRE (90/90-10)	1
3	B01020603265	B01020603265	BOLT 6×32MM	1
4	54100B130001	54100B130000	RIM, REAR WHEEL	1
5	44500B0AT000	54200B910000	BRAKE SHOE	2
6	44001B0AT000	44001B040000	SPRING, BRAKE SHOE	2
7	54003B0AT000	54003B070000	CAMSHAFT, RR.. BRAKE	1
8	B04170600055	B04170600055	NUT 6MM	1
9	54007B0AT000	54007B070000	LEVER, RR. BRAKE	1
10	B1404Z2011C0	B1404Z2011C0	CAP , VALVE	1
11	B1403Z201100	B1403Z201120	RIM , VALVE	1
12	54002B0AT000	54002B040000	INDICATOR WEAR	1
13	54008B50T000	54008B130000	TENSION SPRING	1



标记 处数

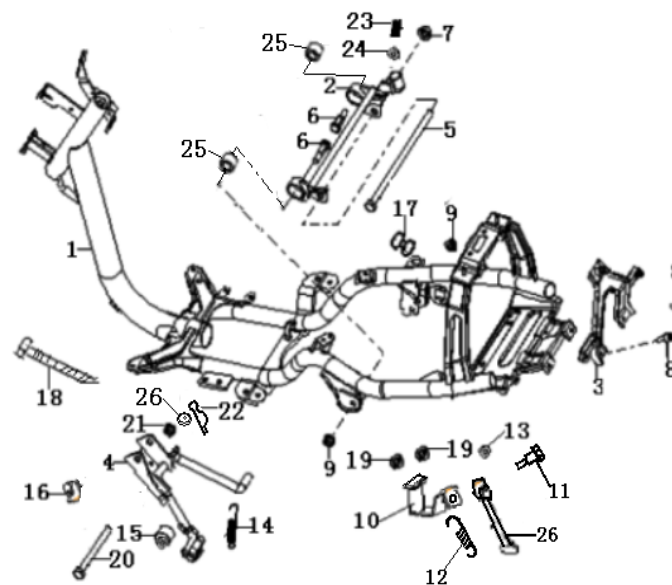
更改文件号 签字

日期

车架总成

FRAME ASSY.

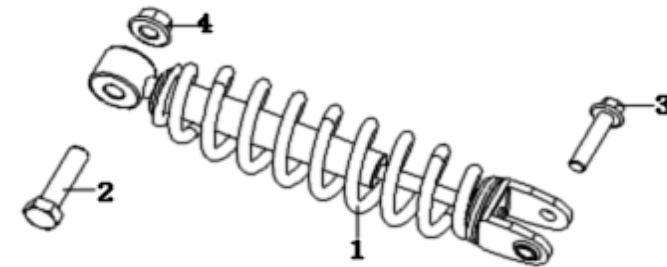
序号	代码	物料编码		数量
NO.	CODE	materiel coding		QTY.
1	57100B50T003	57100B130003	FRAME BODY ASSY.	1
2	58300B50T000	58320B130000	BRACKET, ENGINE	1
3	57760B50T000	57760B130000	BRACKET ASSY, REAR CARRIER	1
4	58520B0DT000	58520B070010	MAIN STAND ASSY	1
5	58303B50T000	53001B130000	SHAFT, ENGINE BRACKET	1
6	58301B50T000	58301B130000	MOUNTING BOLT, BRACKET	2
7	B04171212554	B04171212554	LOCK NUT M12×1.25	1
8	B01090601664	B01090601664	BOLT 6×16MM	2
9	B04171012555	B04171012555	NUT	2
10	58030B50T000	58030B130000	SIDE STAND SEAT.	1
11	57005B50T000	57005B920000	BOLT	1
12	57003B50T000	57003B130000	RETURN SPRING	1
13	58700B50T000	58700B130020	SIDE STAND ASSY.	1
14	58502B50T000	58502B130000	SPRING, MAIN STAND	1
15	58507B50T000	58507B130000	ABSORBER PLATE,MAIN STAND	1
16	40022B0DT000	40022B070000	CLIP	1
17	57014B50T000	57014B070000	ABSORBER WASHER	1
18	96001B50T000	96001B130000	CLIP 250	3
19	B01090802065	B01090802065	BOLT 6×20MM	2
20	58501BJ0T000	58501B070001	AXLE, MAIN STAND	1
21	58508B0DT000	58508B070000	WASHER	1
22	B09002502012	B09002502012	SPLIT PIN 2.5×20	1
23	58304B50T000	58304B130000	SPRING	1
24	58302B50T000	58302B130000	DAMPER	1
25	58340B50T000	58340B130000	BUFFER WASHER	2
26	B07020001005	B07020001005	WASHER 8MM	1



后减震总成

REAR SHOCK ABSORBER ASSY.

序号	代码	物料编码		数量
NO.	CODE	materiel coding		QTY.
1	63000B50T000	63800B130000	REAR CUSHION COMP.	1
2	08014J0ET000	08014T020000	BOLT 10×1.25×40MM	1
3	B01070803265	B01070803265	BOLT 8×32MM	1
4	B04071012555	B04071012555	NUT 10×1.25MM	1

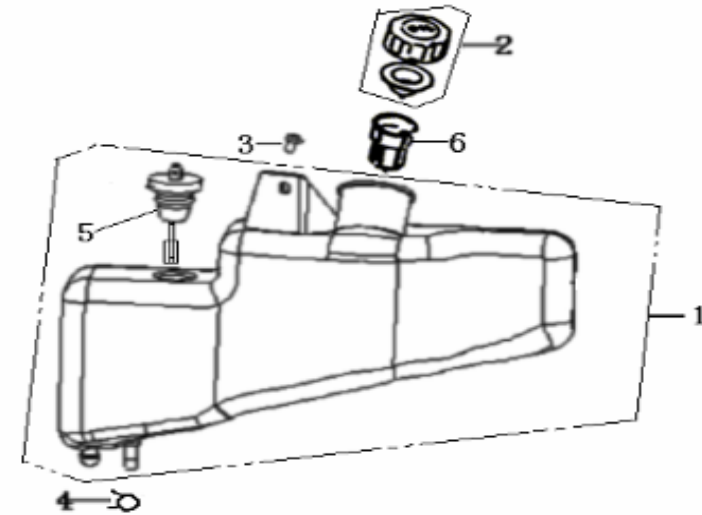


机油箱总成

OIL TANK ASSY.

序号	代码	物料编码		数量
NO.	CODE	materiel coding		QTY.
1	64001B50T000	64001B130000	CASE, OIL TANK	1
2	64090G0MP000	64090G030000	Cap assy., oil tank	1
3	B01090601665	B01090601665	BOLT 6×16MM	1
4	50307J00P000	50307J000000	CLIP 8	1
5	64100B50T000	64100B130000	GAUGE,OIL LEVEL	1
6	64050G0MP000	50340G120000	Filter assy.	1

标记 处数 更改文件号 签字 日期

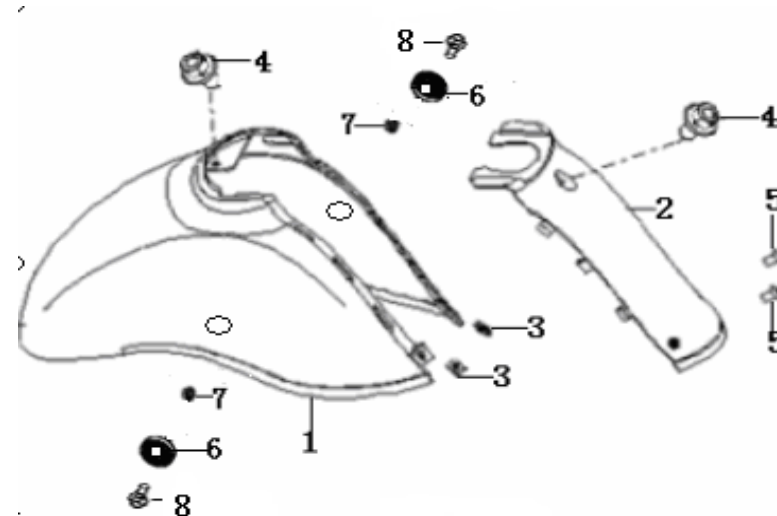


标记 处数 更改文件号 签字 日期

前挡泥板总成

FRONT FENDER ASSY.

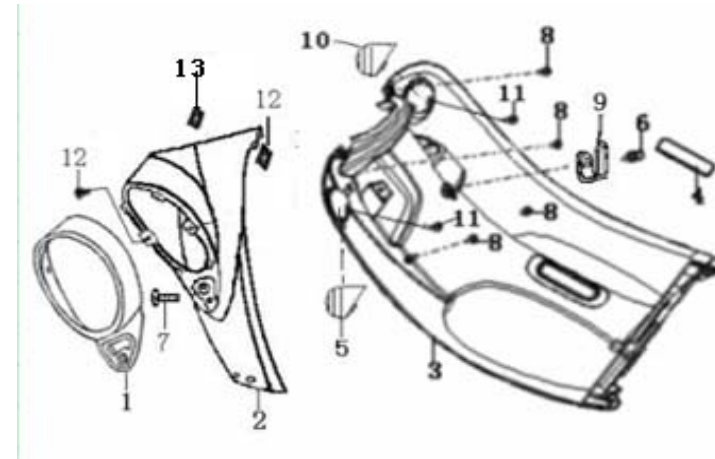
序号	代码	物料编码		数量
NO.	CODE	materiel coding		QTY.
1	65101B50TBH0	65101B13BH00	FRONT FENDER,FR.BLACK	1
1	65101B50TLT0	65101B13LT00	FRONT FENDER,FR.BLUE	1
1	65101B50TGB0	65101B13GB00	FRONT FENDER,FR.GREEN	1
1	65101B50TRR0	65101B13RR00	FRONT FENDER,FR.WINE RED RR	1
1	65101B50TTV0	65101B13TV00	FRONT FENDER,FR.PINK TV	1
2	65106B50TBH0	65106B13BH00	FRONT FENDER,RR.BLACK	1
2	65106B50TLT0	65106B13LT00	FRONT FENDER,RR.BLUE	1
2	65106B50TGB0	65106B13GB00	FRONT FENDER,RR.GREEN	1
2	65106B50TRR0	65106B13RR00	FRONT FENDER,RR.WINE RED RR	1
2	65106B50TTV0	65106B13TV00	FRONT FENDER,RR.PINK TV	1
3	65801J0ET000	65801T020000	CLIP, SCREW 4MM	2
4	B01090601665	B01090601665	BOLT 6×16MM	2
5	B05074001205	B05074001205	SCREW GB845	2
6	86300B0DT001	86300B070001	SIDE REFLEX REFLECTOR	2
7	B04070600054	B04070600054	NUT 6MM	2
8	B02060602024	B02060602024	SCREW 6×20mm	2



前大罩

FRONT COVER

序号	代码	物料编码		数量
NO.	CODE	materiel coding		QTY.
1	80002B130000	80002B130000	COVER, HEADLAMP	1
2	65301B50TBH0	65301B13BH00	COVER, FRONT BLACK	1
2	65301B50TLT0	65301B13LT00	COVER, FRONT BLUE	1
2	65301B50TGB0	65301B13GB00	COVER, FRONT GREEN	1
2	65301B50TRR0	65301B13RR00	COVER, FRONT WINE RED RR	1
2	65301B50TTV0	65301B13TV00	COVER, FRONT PINK TV	1
3	65302B13BH00	65302B13BH00	COVER, LOWER BLACK	1
3	65302B13LT00	65302B13LT00	COVER, LOWER BLUE	1
3	65302B13GB00	65302B13GB00	COVER, LOWER GREEN	1
3	65302B13RR00	65302B13RR00	COVER, LOWER WINE RED RR	1
3	65302B13TV00	65302B13TV00	COVER, LOWER PINK TV	1
4	65403B50TBH0	65403B130BH0	CAP, FRAME NUMBER BLACK	1
4	65403B50TLT0	65403B130LT0	CAP, FRAME NUMBER BLUE	1
4	65403B50TGB0	65403B130GB0	CAP, FRAME NUMBER GREEN	1
4	65403B50TRR0	65403B130RR0	CAP, FRAME NUMBER WINE RED RR	1
4	65403B50TTV0	65403B130TV0	CAP, FRAME NUMBER PINK TV	1
5	81101B50T000	81101B130000	DECORATION LIGHT L(NO BULB)	1
6	B0206060252A	B0206060252A	SCREW 6X25MM	1
7	B0206060252A	B0206060252A	SCREW 6X25MM	1
8	B05004801205	B05004801205	SELF-TAPPING SCREW	4
9	03310B50T000	03310B130000	HOOK, HELMET	1
10	81301B50T000	81301B130000	DECORATION LIGHT R(NO BULB)	1
11	B05074001205	B05074001205	SELF-TAPPING SCREW 4X12	2
12	B02000501265	B02000501265	SCREW 5X12MM	2
13	B0703000505	B0703000505	WASHER 5MM	2

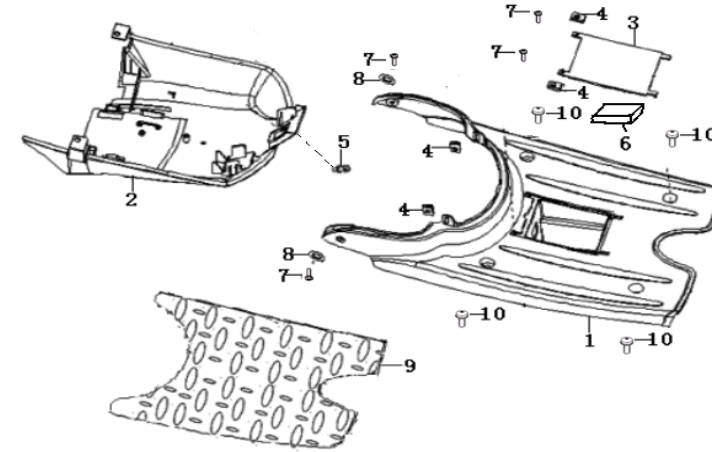


脚踏板总成

LEG SHIELD ASSY.

序号	代码	物料编码		数量
NO.	CODE	materiel coding		QTY.
1	65401B130020	65401B130020	FOOTREST(BLACK)	1
2	65406B50T000	65406B130000	COVER, LOWER	1
3	65411B50T000	65411B130000	CAP, BATTERY	1
4	65801J0ET000	65801T020000	NUT 4MM	4
5	B13060601205	B13060601205	SCREW W/WASHER 6X12MM	1
6	65811B50T000	65811B130000	BATTERY DAMPER	1
7	B05004201605	B05004201605	SCREW ST4.2X16	4
8	B07020000505	B07020000505	WASHER 5MM	2
9	65413B50T000	65413B130000	CUSHION, FOOTREST(BLACK)	1
10	B13060602005	B13060602005	SCREW W/WASHER 6X20MM	4

标记 处数 更改文件号 签字 日期

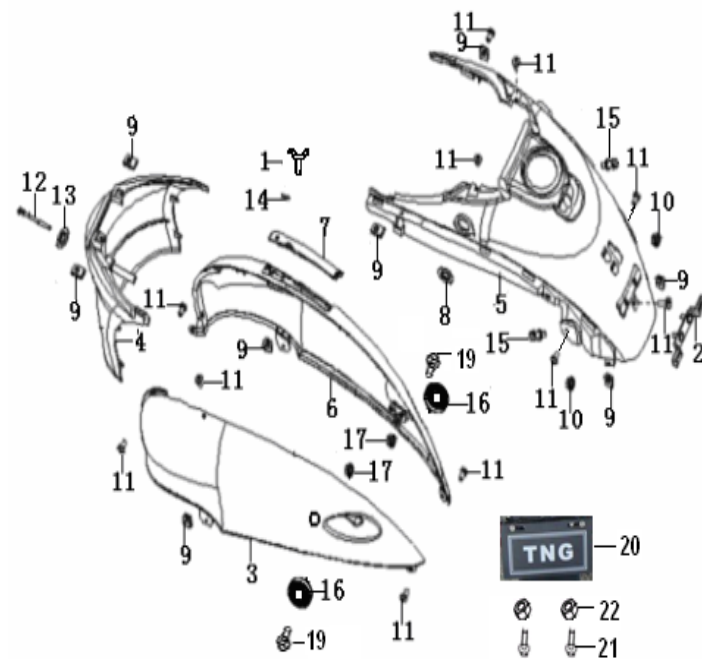


标记 处数 更改文件号 签字 日期

护板总成

FRAME COVER ASSY.

序号	代码	物料编码		数量
NO.	CODE	materiel coding		QTY.
1	08002B50T001	08002B130001	SCREW	1
2	08250B50T001	08250B130001	PLATE, NUMBER (18.5CM)	1
3	65601B50TBH1	65601B130BH1	SIDE COVER, LH BLACK	1
3	65601B50TLT1	65601B130LT1	SIDE COVER, LH BLUE	1
3	65601B50TGB1	65601B130GB1	SIDE COVER, LH GREEN	1
3	65601B50TRR1	65601B130RR1	SIDE COVER, LH WINE RED RR	1
3	65601B50TTV1	65601B130TV1	SIDE COVER, LH PINK TV	1
4	65605B50T000	65605B130000	COVER, FRONT	1
5	65606B50TWG0	65606B13WG00	COVER, WHITE	1
6	65602B50TLT1	65602B130LT1	SIDE COVER, RH BLUE	1
6	65602B50TBH1	65602B130BH1	SIDE COVER, RH BLACK	1
6	65602B50TGB1	65602B130GB1	SIDE COVER, RH GREEN	1
6	65602B50TRR1	65602B130RR1	SIDE COVER, RH WINE RED RR	1
6	65602B50TTV1	65602B130TV1	SIDE COVER, RH PINK TV	1
7	65609B50TBH0	65609B13BH00	COVER, OIL TANK BLACK	1
7	65609B50TLT0	65609B13LT00	COVER, OIL TANK BLUE	1
7	65609B50TGB0	65609B13GB00	COVER, OIL TANK GREEN	1
7	65609B50TRR0	65609B13RR0	COVER, OIL TANK WINE RED RR	1
7	65609B50TTV0	65609B13TV0	COVER, OIL TANK PINK TV	1
8	05201B50T000	05201B130000	DECORATION, SEAT LOCK	1
9	65801J0ET000	65801T020000	NUT 4MM	8
10	B04070600054	B04070600054	NUT 6MM	2
11	B05004201605	B05004201605	SELF-TAPPING SCREW ST4.2X16	9
12	B02000607025	B02000607025	SCREW 6X70MM	1
13	B07030000605	B07030000605	WASHER 6MM	1
14	B090303012A4	B090303012A4	SPLIT PIN 3X12	1

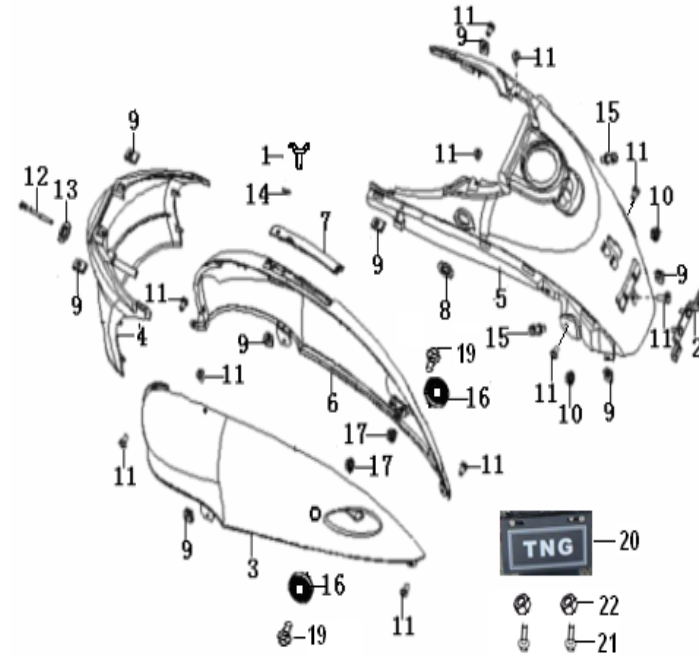


护板总成

FKA
MF

序号	代码	物料编码		数量
NO.	CODE	materiel coding		QTY.
15	B13060601605	B13060601605	SCREW W/WASHER 6X16MM	2
16	86300B50T001	86300B130001	SIDE REFLEX REFLECTOR	2
17	B04070600054	B04070600054	NUT 6MM	2
18	B05004801605	B05004801605	SELF-TAPPING SCREW ST4.8X16	2
19	B02060602024	B02060602024	SCREW 6×20mm	2
20	08256B130000	08256B130000	LICENSE PLATE	1
21	B01090601664	B01090601664	SCREW 6X16MM	2
22	B04070600054	B04070600054	NUT 6MM	2

标记 处数 更改文件号 签字 日期

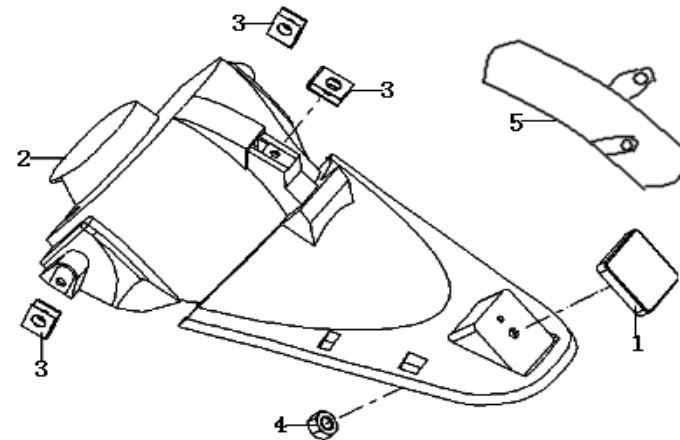


标记 处数 更改文件号 签字 日期

后挡泥板总成

REAR FENDER ASSY.

序号	代码	物料编码		数量
NO.	CODE	materiel coding		QTY.
1	86500B50T001	86500J000000	REAR REFLECTOR ASSY.	1
2	65701B50T000	65701B130000	REAR FENDER,	1
3	65801J0ET000	65801T020000	NUT 4MM	3
4	B04070500055	B04070500055	NUT 5MM	1
5	65702B50T000	65702B130000	REAR FENDER,	1



标记 处数

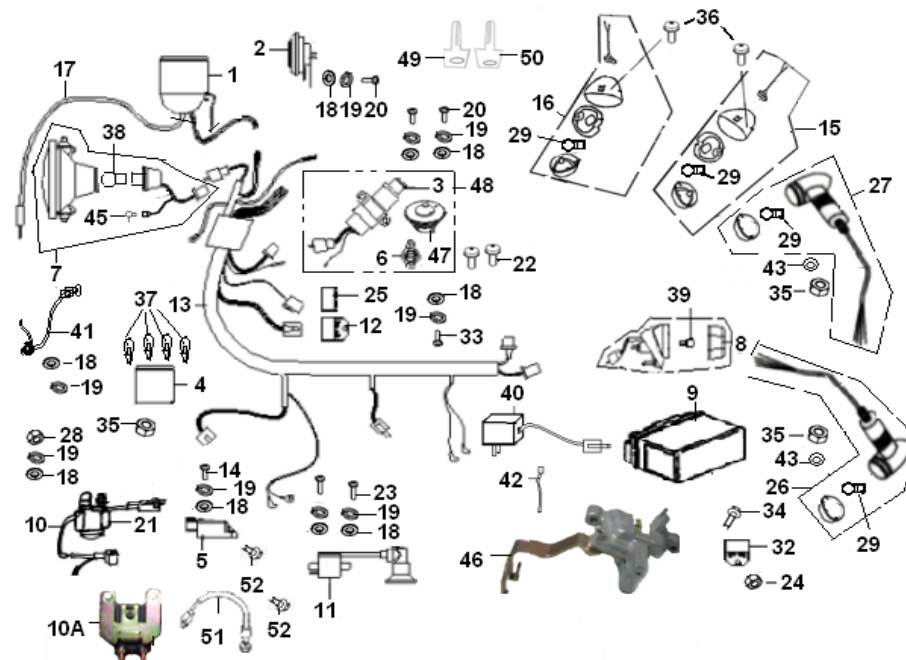
更改文件号 签字

日期

电器I

ELECTRIC I

序号	代码	物料编码		数量
NO.	CODE	materiel coding		QTY.
1	72000B130002	72000B130002	SPPEEDOMETER ASSY.	1
2	95000B50T000	95100B130001	HORN	1
3	88100B13000E	88100B13000E	LOCK ASSY, POWER,(on,off)	1
4	77000B50T000	77000B130001	INDICATOR COMP.	1
5	98801B50T000	98801B130000	RECTIFIER	1
6	88800B50T000	88800B130000	LOCK ASSY, SEAT	1
7	80000B130000	80000B130000	HEAD LAMP ASSY	1
8	82000B130000	82000B130000	TAIL LAMP ASSY	1
9	96100B50T001	96100B130001	BATTERY	1
10	94000B50T000	94000B130000	RELAY, STARTER	1
10A	94100J000002		RELAY, STARTER	1
11	96200B50T000	96200B130000	COIL ASSY	1
12	96400B50T000	96400K010001	FLASHER	1
13	92000B130004	92000B130004	HARNESS ASSY, WIRING	1
13	92000B130009	92000B130009	HARNESS ASSY, WIRING	1
14	B02000601625	B02000601625	SCREW 6X16MM	1
15	81100E050000	81100E050000	LAMP, TURN SIGNAL, L(DOT)	1
16	81300E050000	81300E050000	LAMP, TURN SIGNAL, R(DOT)	1
17	72900B50T000	72900B130000	CABLE, SPEEDOMETER	1
18	B07030000605	B07030000605	WASHER 6MM	9
19	B07000000605	B07000000605	WASHER 6MM	9
20	B02000601625	B02000601625	SCREW 6X16MM	3



标记 处数

更改文件号 签字

日期

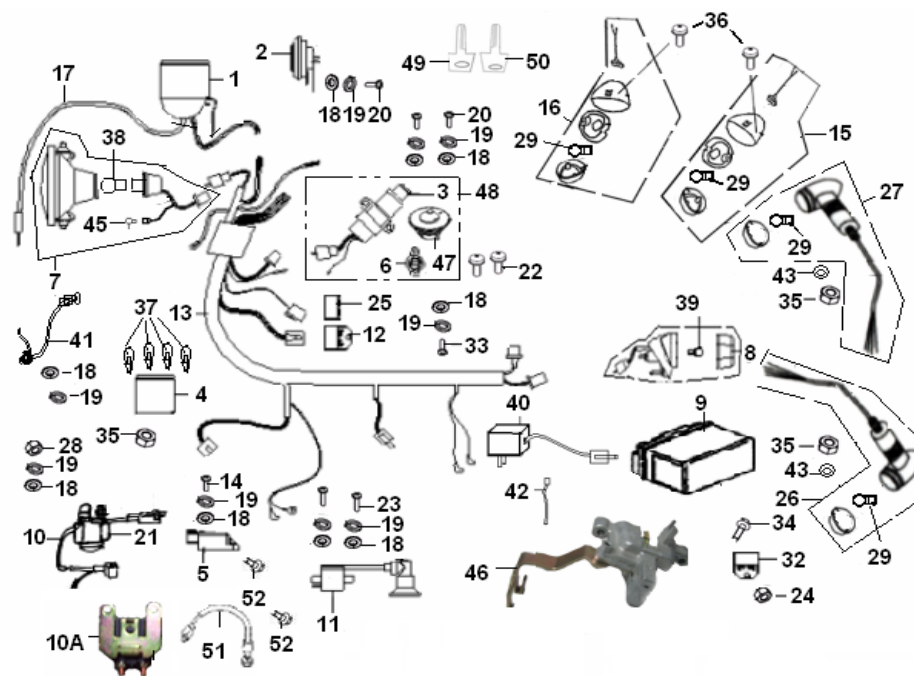
电器总成

ELECTRICAL EQUIPMENT ASSY.

序号	代码	物料编码	
NO.	CODE	materiel coding	
21	94008B50T000	94008B130000	COVER , RELAY, STARTER
22	B13060601605	B13060601605	SCREW W/WASHER 6X16MM
23	B02000602025	B02000602025	SCREW 6X20MM
24	B04070600055	B04070600055	NUT 6MM
25	96401B50T000	96401B130000	COVER, FLASHER
26	81500B50T000	81500B130000	FLASHER LIGHT, L
27	81700B50T000	81700B130000	FLASHER LIGHT, R
28	B04000600045	B04000600045	NUT 6MM
29	81004B50T000	81004B130000	BULB, 12V/10W
32	97701B50T000	97701B130000	C.D.I.
33	B02000601625	B02000601625	SCREW 6X12MM
34	B01090602065	B01090602065	BOLT 6X20MM
35	B04000600045	B04000600045	NUT 6MM
36	B13140501405	B13140501405	SCREW W/WASHER M5x14
37	70002B50T000	70002B130000	BULB , 12V2W
38	80002B50T000	80002B130000	BULB , 12V/35/35W
39	82005B50T000	82005B130000	BULB , 12V/21W/5W
40	96300B50T000	96300B130000	CHARGER
41	96900B50T000	96900B130000	WIRE, EARTH
42	96310B920000	96310B920000	CHARGER WIRE
43	B07020000605	B07020000605	WASHER 6MM
45	80023B50T000	80023B130000	BULB , 12V/3W
46	58800B130000	58800B130000	SEAT LATCH
47	50200B50T000	50200B130000	CAP, FUEL TANK
48	88000B13000E	88000B13000E	LOCK ASSY.COMP.(mark:on,off)
49	88900B13000X	88900B13000X	KEY NUT RIGHT
50	88900B13001X	88900B13001X	KEY NUT RIGHT
51	92200G120000		ELECTRIC CABLE
52	B01090601065		BOLT M6x10

数量

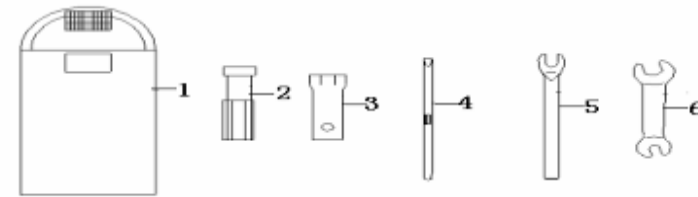
QTY.



随车工具总成
TOOL KIT ASSY.

序号	代码	物料编码		数量
NO.	CODE	materiel coding		QTY.
1	02110B50T000	02110J000000	BAG, TOOL KIT	1
2	02104B50T000	02104B130000	HANDLE, SCREW DRIVER	1
3	02101B50T000	02101B130000	SOCKET, SPARK PLUG	1
4	02103B50T000	02103B130000	DRIVER, DOUBLE-ENDED	1
5	02108G0BP000	02108G010000	WRENCH	1
6	B20011001203	B20011001203	WRENCH, DOUBLE-ENDED	1

标记 处数 更改文件号 签字 日期

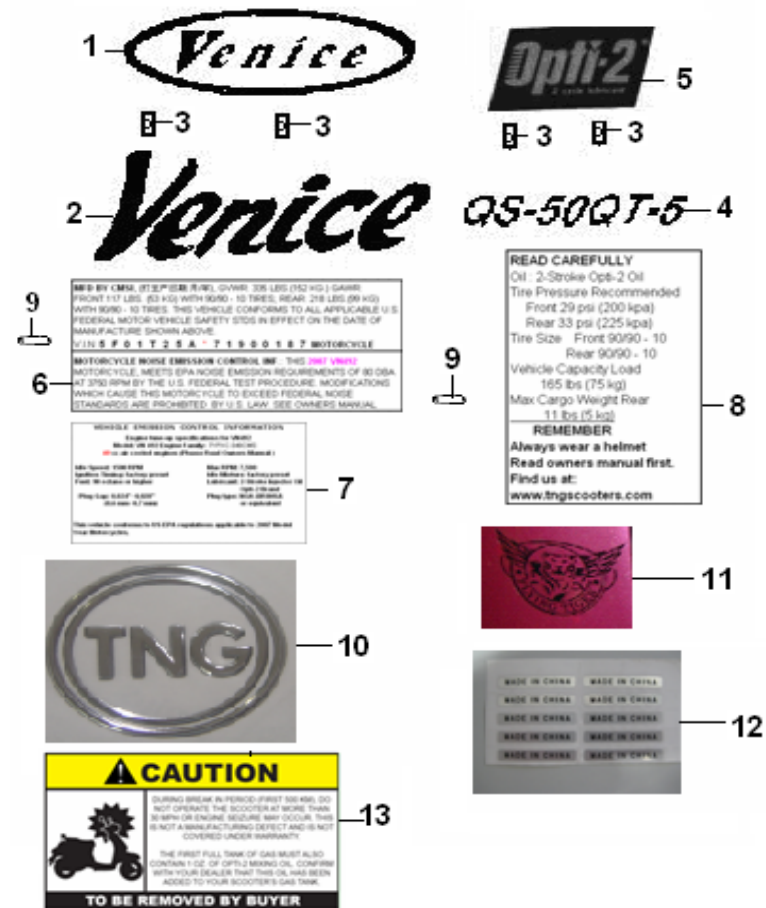


标记 处数 更改文件号 签字 日期

铭牌不干胶

STICKER

序号	代码	物料编码	描述	数量
NO.	CODE	material coding		QTY.
1	05521B50T002	05521B130002	FRONT COVER (VENICE)	2
2	05511B50T001	05511B130001	SIDE COVER (VENICE)	2
3	65311B50T000	65311B130000	NIP NUT	8
4	05512B50T002	05512B130002	SIDE COVER (QS-50QT-5)	2
5	05525B50T000	05525B130000	STICKER ,COVER	2
6	57001B030004	57001B030004	PLATE, LABEL	1
7	05596B130002	05596B130002	STICKER "EPA"	1
8	05581B50T003	05581B130003	TIRE PRESSURE	1
8.1	05533B130001	05533B130001	TIRE PRESSURE	1
9	B100432007P0	B100432007P0	RIVET 3.2×7MM	2
10	05522B130000	05522B130000	TNG,STICKER	1
11	05522B130001	05522B130001	FLYING TIGER,STICKER	1
12	65594B130000	65594B130000	STICKER"Made In China "	1
13	05531B030002	05531B030002	WARNING STICKER	1

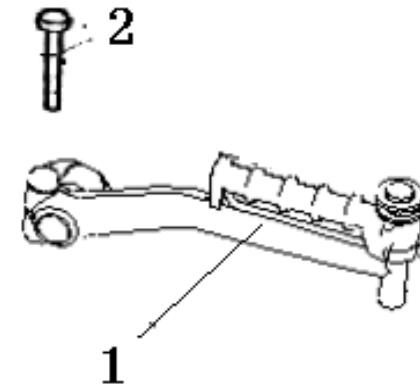


标记 处数 更改文件号 签字 日期

发动机附件

ENGINE ATTACHMENT

序号	代码	物料编码		数量
NO.	CODE	materiel coding		QTY.
1	08350B50T001	08350B130001	KICK STARTER ASSY.	1
2	B01020602564	B01020602564	BOLT 6X25MM	1



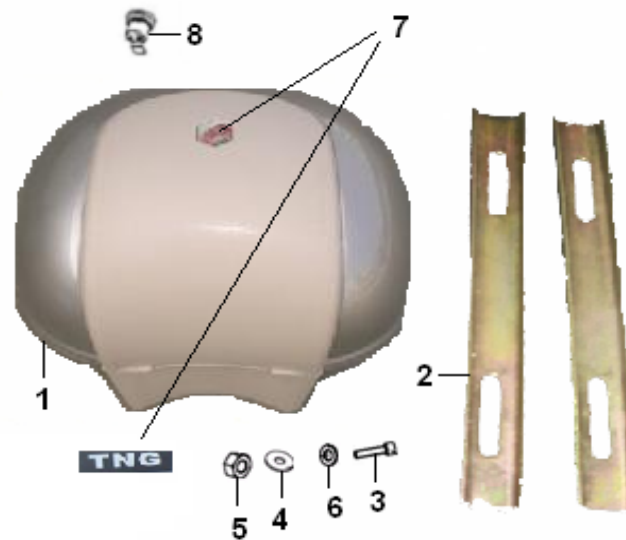
标记 处数

更改文件号 签字

日期

F21后货箱总成

序号	代码	物料编码		数量
NO.	CODE	materiel coding		QTY.
1	52200B13BH02	52200B13BH02	BACK BOX ASSY (BLACK)	1
1	52200B13LT02	52200B13LT02	BACK BOX ASSY (BLUE)	1
1	52200B13GB02	52200B13GB02	BACK BOX ASSY (GREEN)	1
1	52200B13RR02	52200B13RR02	BACK BOX ASSY (RED)	1
1	52200B13TV02	52200B13TV02	BACK BOX ASSY (PINK)	1
2	52181B50T000	52181B130000	FIX BOARD	2
3	B01010604023	B01010604023	SCREW M6×40	4
4	B07020000603	B07020000603	WASHER 6	8
5	B04000600053	B04000600053	NUT M6	4
6	B07000000603	B07000000603	WASHER 6	4
8	88600B50T000	88600B130000	BACK BOX LOCK	1



标记 处数

更改文件号 签字

日期