



Malaguti

IDEE IN MOTO

CNK 50 DRAKON KAT EURO 2



TELAIO - INDICE TAVOLE

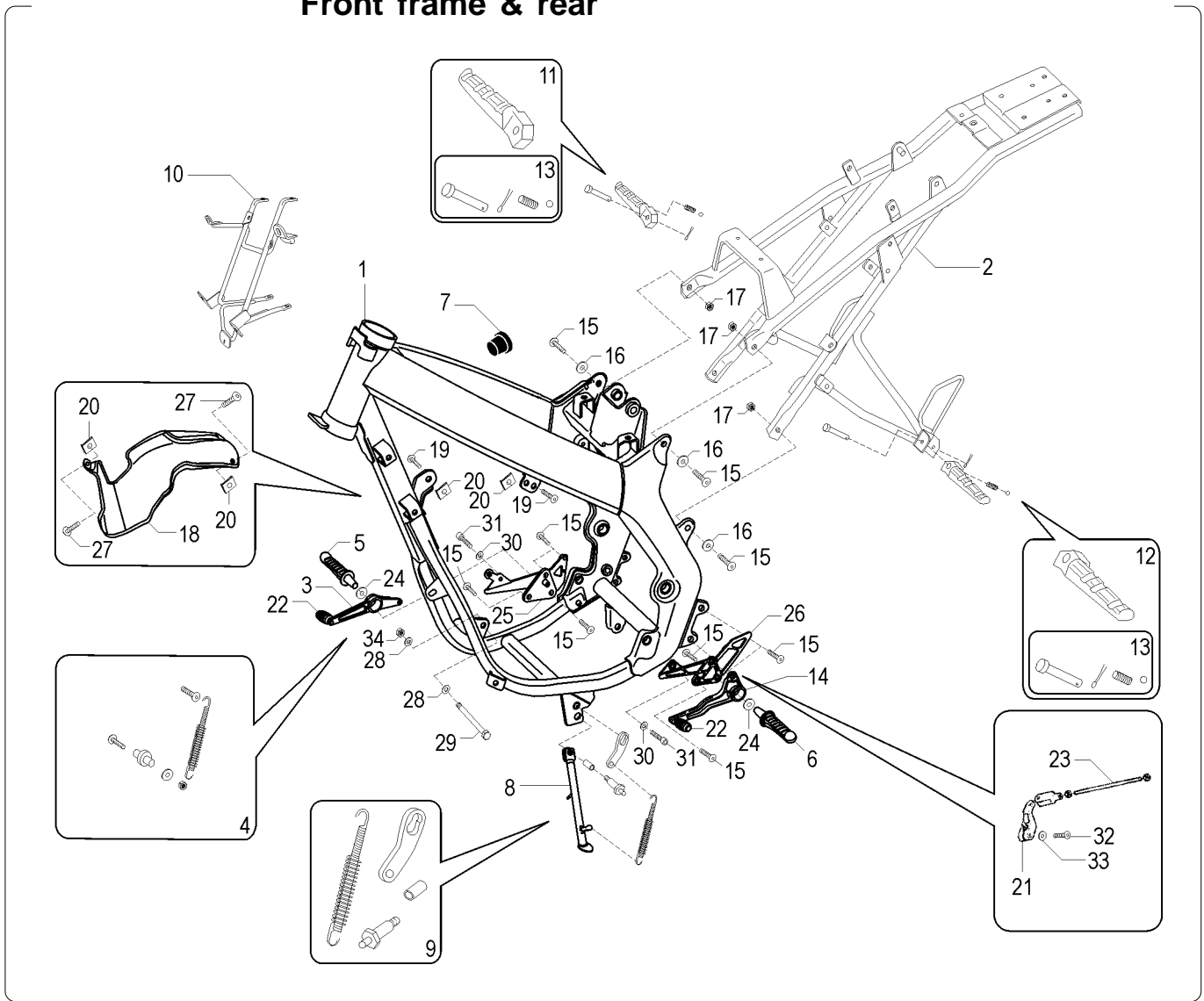
FRAME - INDEX OF THE TABLES

TAV. A 	TAV. A1 	TAV. B 	TAV. C 	TAV. D
TAV. E 	TAV. F 	TAV. G 	TAV. H 	TAV. I
TAV. L 	TAV. M 	TAV. N 	TAV. OO 	

MOTORE - INDICE TAVOLE

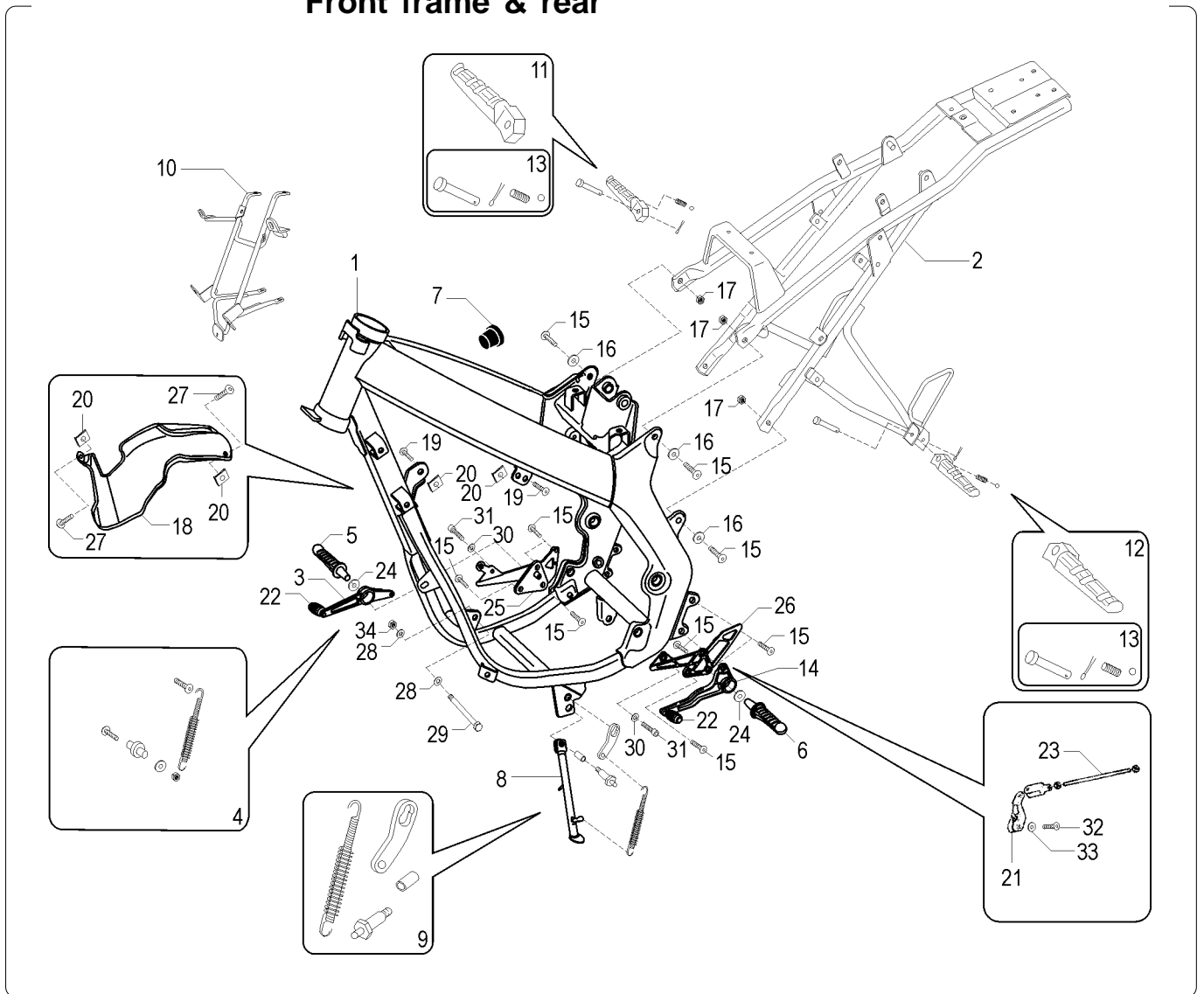
ENGINE - INDEX OF THE TABLES

TAV. R 	TAV. R1 			
------------	-------------	--	--	--

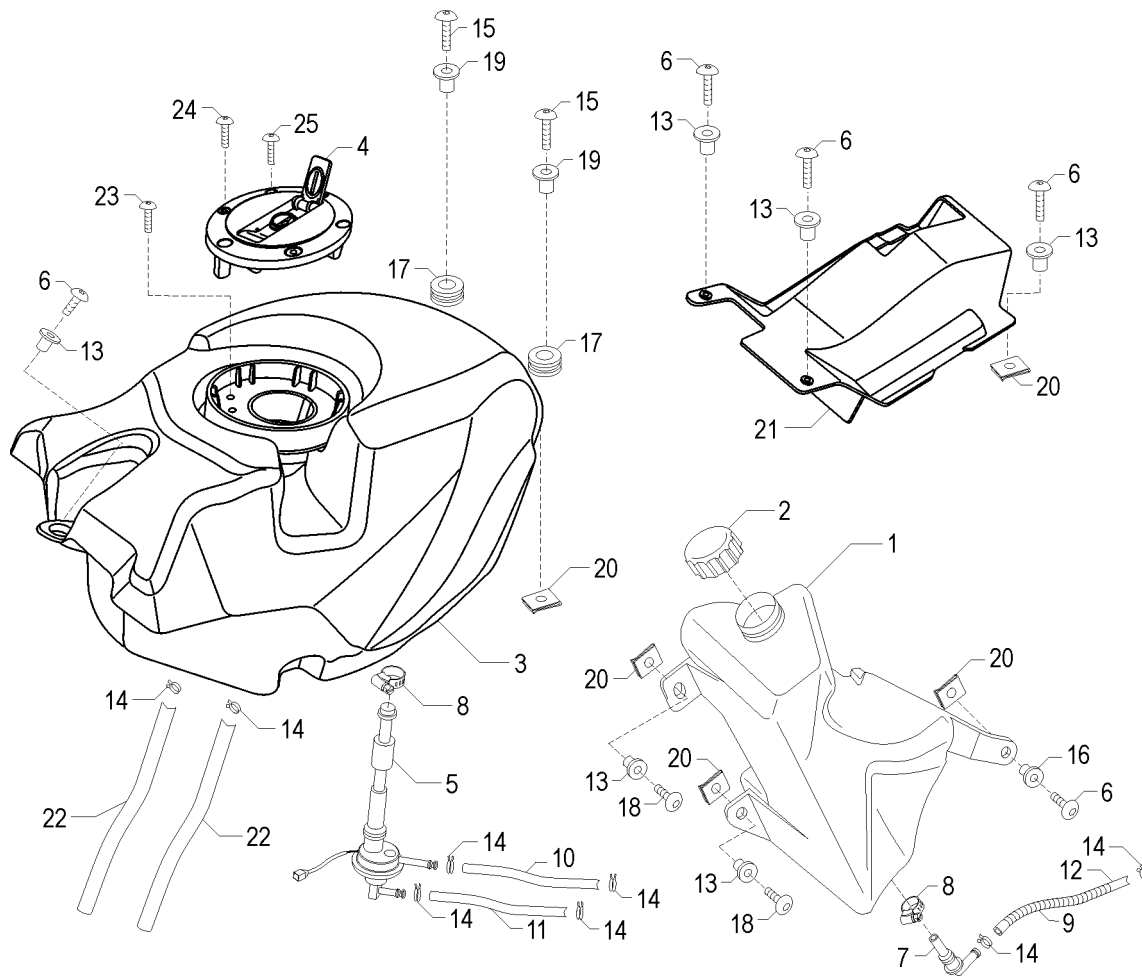


Nr.	Codice	Q.tà	Descrizione
1	156.123.99	1	Telaio anteriore
2	156.124.99	1	Telaio posteriore
3	152.024.00	1	Pedale freno
4	150.375.00	1	Kit ritorno pedale freno
5	084.050.00	1	Poggipiedi dx pilota completo
6	084.050.00	1	Poggipiedi sx pilota completo
7	072.105.00	2	Gommino serbatoio
8	159.073.99	1	Cavalletto laterale
9	150.367.00	1	Kit fissaggio cavalletto laterale
10	191.105.00	1	Supporto frecce e mascherina faro
11	084.046.00	1	Poggipiedi dx passegg. completo
12	084.047.00	1	Poggipiedi sx passegg. completo
13	150.317.00	2	Kit fissaggio poggipiedi passegg.
14	082.011.00	1	Leva cambio
15	184.257.00	14	Vite
16	184.266.13	4	Rondella
17	185.024.14	4	Dado
18	191.088.99	1	Protezione serbatoio benzina
19	184.258.00	2	Vite
20	184.206.00	12	Prestola
21	131.008.00	1	Rinvio leva cambio
22	072.231.00	2	Gommino pedale freno - cambio
23	153.028.15	1	Asta rinvio cambio
24	150.351.13	2	Boccola leva cambio - freno
25	191.106.99	1	Supporto pedana dx

Nr.	Code	Q.ty	Description
1	156.123.99	1	Front frame
2	156.124.99	1	Rear frame
3	152.024.00	1	Lever brake pedal
4	150.375.00	1	Lever brake pedal return kit
5	084.050.00	1	R/h front bracket footrest assy
6	084.050.00	1	L/h front bracket footrest assy
7	072.105.00	2	Fuel tank rubber mounting
8	159.073.99	1	Side stand
9	150.367.00	1	Side stand fixing kit
10	191.105.00	1	Headlight and flasher bracket
11	084.046.00	1	R/h rear bracket footrest assy
12	084.047.00	1	L/h rear bracket footrest assy
13	150.317.00	2	L/h-R/h footrest fixing kit
14	082.011.00	1	Gear lever
15	184.257.00	14	Screw
16	184.266.13	4	Washer
17	185.024.14	4	Nut
18	191.088.99	1	Fuel tank protection
19	184.258.00	2	Screw
20	184.206.00	12	Clamp
21	131.008.00	1	Gear lever drive
22	072.231.00	2	Brake & gear pedal rubber
23	153.028.15	1	Gear lever drive shaft
24	150.351.13	2	Gear & brake lever bush
25	191.106.99	1	R/h footrest bracket

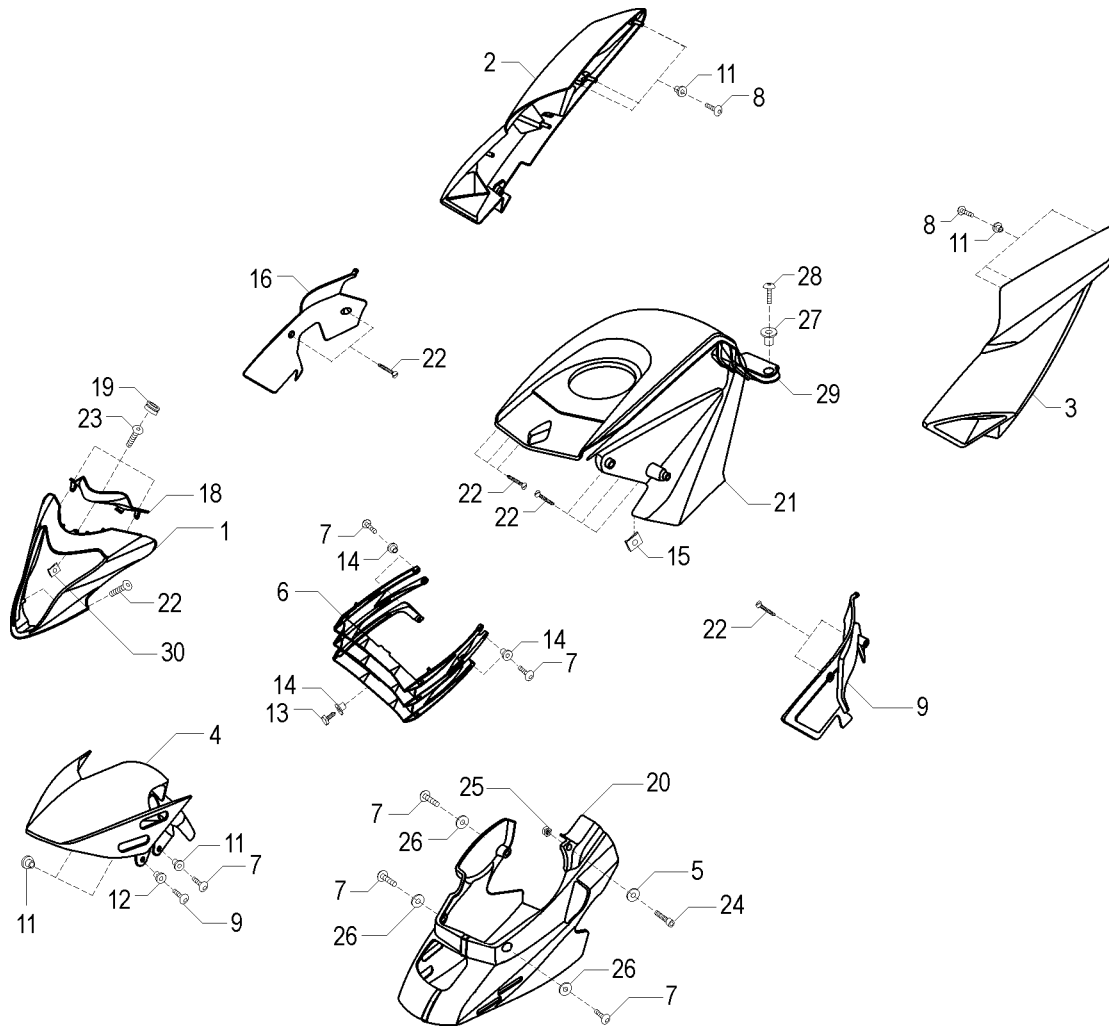


Nr.	Codice	Q.tà	Descrizione	Nr.	Code	Q.ty	Description
26	191.107.99	1	Supporto pedana sx	26	191.107.99	1	L/h footrest bracket
27	184.254.15	2	Vite	27	184.254.15	2	Screw
28	184.053.13	2	Rondella	28	184.053.13	2	Washer
29	184.261.13	1	Vite	29	184.261.13	1	Screw
30	184.051.13	2	Rondella	30	184.051.13	2	Washer
31	184.036.13	2	Vite	31	184.036.13	2	Screw
32	184.121.13	1	Vite	32	184.121.13	1	Screw
33	184.264.13	1	Rondella	33	184.264.13	1	Washer
34	184.148.13	1	Dado	34	184.148.13	1	Nut
--	092.037.00	1	Kit serrature	--	092.037.00	1	Key set

Serbatoio benzina & olio
Fuel tank & oil tank


Nr.	Codice	Q.tà	Descrizione
1	069.021.00	1	Serbatoio olio
2	071.509.00	1	Tappo serbatoio olio
3	161.079.03	1	Serbatoio benzina
4	092.044.00	1	Kit tappo serbatoio benzina
5	093.080.00	1	Rubinetto benzina depressione
6	184.254.15	5	Vite
7	094.029.00	1	Raccordo olio con filtro
8	167.031.00	2	Fascetta
9	147.089.13	1	Molla protezione tubo benzina
10	180.003.62	1	Tubo benzina
11	180.003.65	1	Tubo depressione
12	180.003.63	1	Tubo olio
13	150.148.14	6	Boccola
14	167.018.13	8	Fascetta stringitubo
15	184.156.13	2	Vite
16	150.310.13	1	Boccola
17	072.161.00	2	Gommino fissaggio serbatoio
18	184.060.15	2	Vite
19	150.210.13	2	Boccola
20	184.201.00	5	Prestola M 6
21	071.651.03	1	Protezione cassetta aspirazione
22	180.003.54	2	Tubo benzina
23	184.260.15	1	Vite
24	184.341.15	3	Vite
25	184.342.15	3	Vite

Nr.	Code	Q.ty	Description
1	069.021.00	1	Oil tank
2	071.509.00	1	Oil tank cap
3	161.079.03	1	Fuel tank
4	092.044.00	1	Fuel tank cap set
5	093.080.00	1	Fuel pet cock
6	184.254.15	5	Screw
7	094.029.00	1	Oil pipe connector
8	167.031.00	2	Clamp
9	147.089.13	1	Pipe spring
10	180.003.62	1	Fuel hose
11	180.003.65	1	Depression hose
12	180.003.63	1	Oil hose
13	150.148.14	6	Collar
14	167.018.13	8	Clamp
15	184.156.13	2	Screw
16	150.310.13	1	Collar
17	072.161.00	2	Rubber grommet
18	184.060.15	2	Screw
19	150.210.13	2	Collar
20	184.201.00	5	Clamp
21	071.651.03	1	Air box protection
22	180.003.54	2	Fuel hose
23	184.260.15	1	Screw
24	184.341.15	3	Screw
25	184.342.15	3	Screw

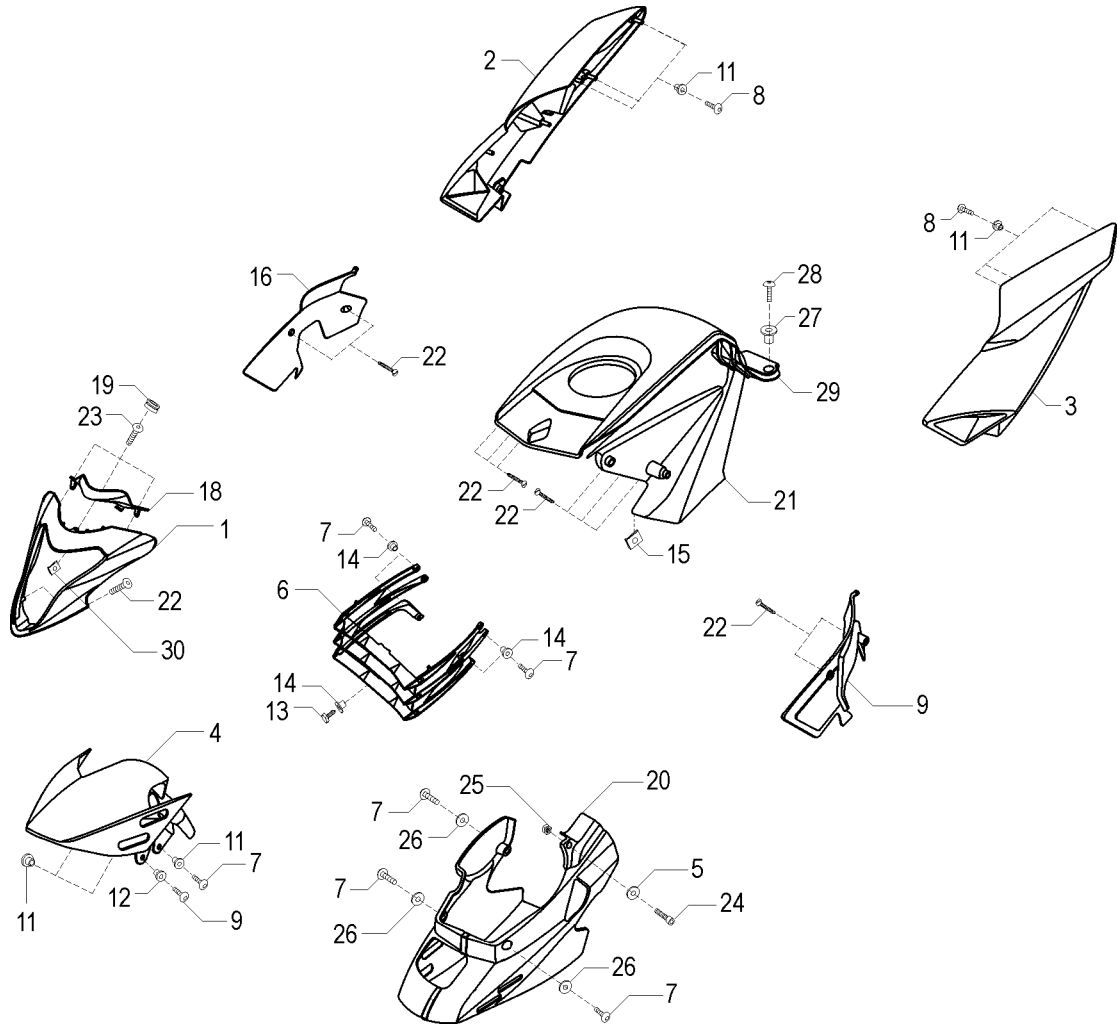
**Carrozzeria anteriore
Front body**


Nr.	Codice	Q.tà	Descrizione
1	058.050. --	1	Mascherina portafanale *
2	062.076. --	1	Convogliatore radiatore dx *
3	062.077. --	1	Convogliatore radiatore sx *
4	055.067. --	1	Parafango anteriore *
5	184.079.13	1	Rondella
6	071.652.03	1	Griglia radiatore
7	184.254.15	11	Vite
8	184.253.15	2	Vite
9	071.647.03	1	Copertura interna convogliatore sx
10	184.060.15	2	Vite
11	150.310.13	12	Boccola
12	150.148.14	2	Boccola
13	184.171.15	2	Vite
14	150.305.13	7	Boccola
15	184.201.00	8	Prestola M 6
16	071.646.03	1	Copertura interna convogliatore dx
17	071.152.03	10	Paracolpi
18	071.645.03	1	Protezione antiviverbero
19	181.422.00	1	Stemma
20	063.248. --	1	Puntone - Carter copripignone *
21	063.250. --	1	Copriserbatoio *
22	184.041.15	14	Vite
23	184.319.13	3	Vite
24	184.260.15	1	Vite

Nr.	Code	Q.ty	Description
1	058.050. --	1	Headlight housing *
2	062.076. --	1	R/h side cover *
3	062.077. --	1	L/h side cover *
4	055.067. --	1	Front mudguard *
5	184.079.13	1	Washer
6	071.652.03	1	Water cooler grid
7	184.254.15	11	Screw
8	184.253.15	2	Screw
9	071.647.03	1	L/h internal side cover
10	184.060.15	2	Screw
11	150.310.13	12	Collar
12	150.148.14	2	Collar
13	184.171.15	2	Screw
14	150.305.13	7	Collar
15	184.201.00	8	Clamp
16	071.646.03	1	R/h internal side cover
17	071.152.03	10	Full bump
18	071.645.03	1	Protection
19	181.422.00	1	Badge
20	063.248. --	1	Belly pan - Chain sprocket cover *
21	063.250. --	1	Fuel tank cover *
22	184.041.15	14	Screw
23	184.319.13	3	Screw
24	184.260.15	1	Screw

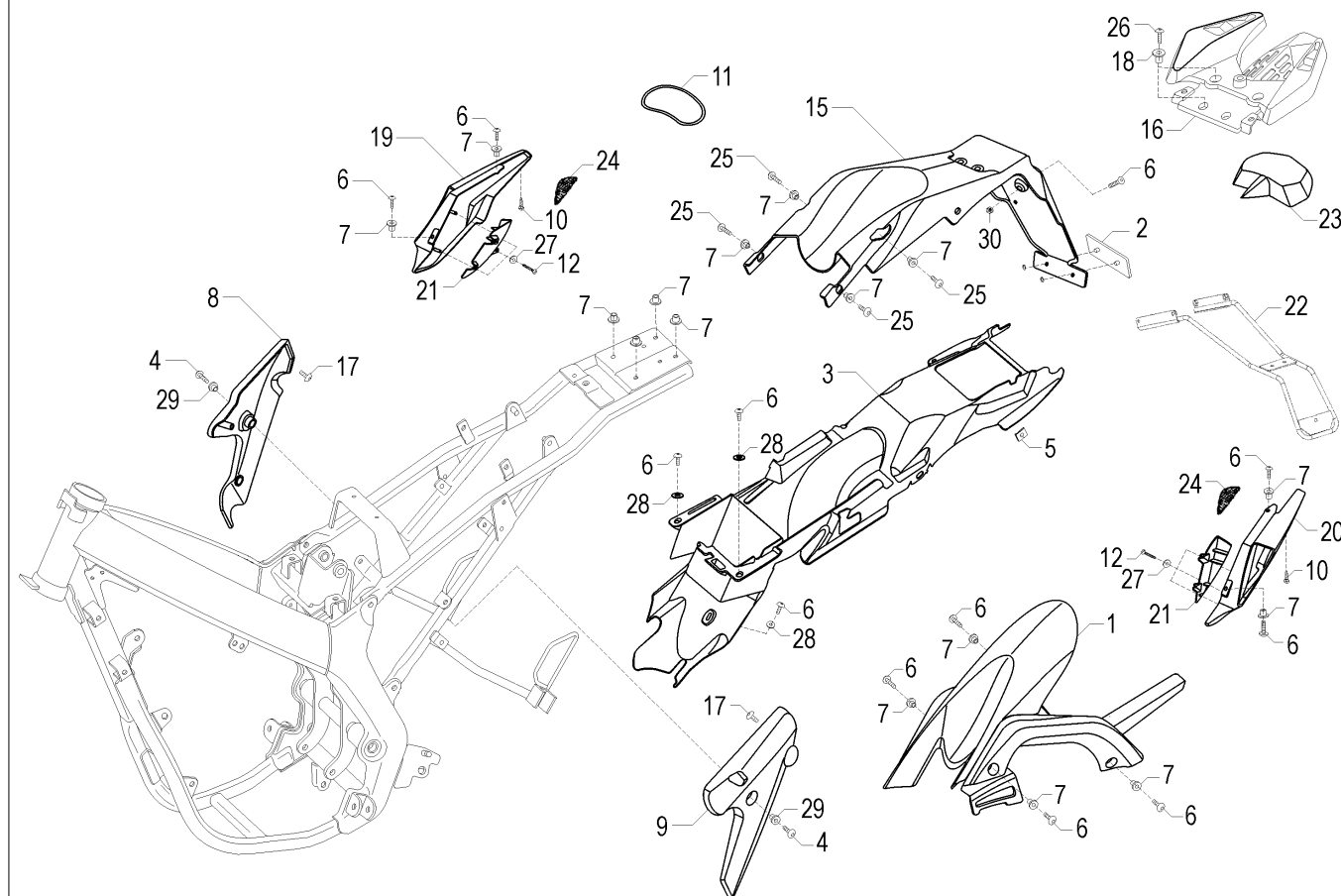
* Vedi tav. N° OO Colori

* Refer to N° OO Colour table



Nr.	Codice	Q.tà	Descrizione
25	184.114.13	1	Dado
26	184.051.13	3	Rondella
27	150.210.13	2	Boccola
28	184.255.15	2	Vite
29	310.797.15	1	Piastra serbatoio
30	184.152.00	1	Prestola M 5
--	181.424. --	1	Serie marche CNK 50 Drakon *

Nr.	Code	Q.ty	Description
25	184.114.13	1	Nut
26	184.051.13	3	Washer
27	150.210.13	2	Collar
28	184.255.15	2	Screw
29	310.797.15	1	Fuel tank plate
30	184.152.00	1	Clamp
--	181.424. --	1	CNK 50 Drakon label set *

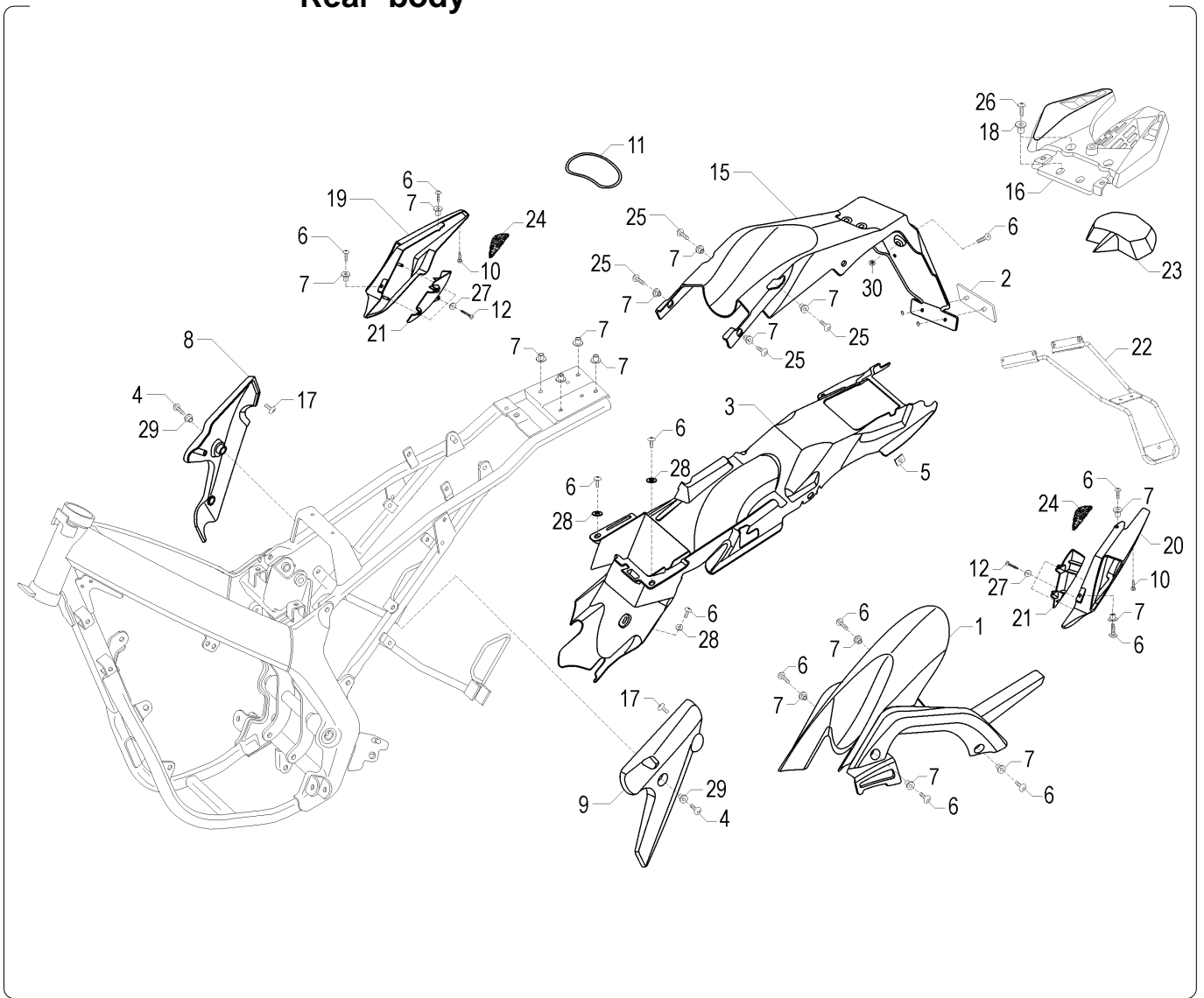
Carrozzeria posteriore
Rear body


Nr.	Codice	Q.tà	Descrizione
1	056.077.03	1	Parafango posteriore
2	071.117.01	1	Catadiottro rosso
3	071.650.03	1	Bancalina protezione ammortizzatore
4	184.255.15	2	Vite
5	184.201.00	14	Prestola M 6
6	184.254.15	15	Vite
7	150.148.14	16	Boccola
8	060.118. --	1	Portanumero laterale dx *
9	060.119. --	1	Portanumero laterale sx *
10	184.041.15	6	Vite
11	072.167.00	1	Elastico fissaggio batteria
12	184.067.13	6	Vite
13	072.217.00	1	Protezione termica
14	184.253.15	3	Vite
15	008.007.00	1	Portatarga
16	063.249.93	1	Maniglione
17	071.152.03	10	Paracolpi
18	184.326.00	4	Boccola maniglione
19	063.246. --	1	Codino dx *
20	063.247. --	1	Codino sx *
21	071.698.03	1	Kit coperture interne fianchetti
22	156.125.99	1	Rinforzo portatarga
23	071.648. --	1	Copertura fanale posteriore *

Nr.	Code	Q.ty	Description
1	056.077.03	1	Rear mudguard
2	071.117.01	1	Red reflector
3	071.650.03	1	Shock absorber protection
4	184.255.15	2	Screw
5	184.201.00	14	Clamp
6	184.254.15	15	Screw
7	150.148.14	16	Collar
8	060.118. --	1	R/h number holder *
9	060.119. --	1	L/h number holder *
10	184.041.15	6	Screw
11	072.167.00	1	Battery fixing belt
12	184.067.13	6	Screw
13	072.217.00	1	Thermic protection
14	184.253.15	3	Screw
15	008.007.00	1	License plate bracket
16	063.249.93	1	Rear handle
17	071.152.03	10	Full bump
18	184.326.00	4	Rear handle bush
19	063.246. --	1	R/h side cover *
20	063.247. --	1	L/h side cover *
21	071.698.03	1	R/h - L/h internal side cover set
22	156.125.99	1	License plate stiffening
23	071.648. --	1	Tail light cover *

* Vedi tav. N° OO Colori

* Refer to N° OO Colour table

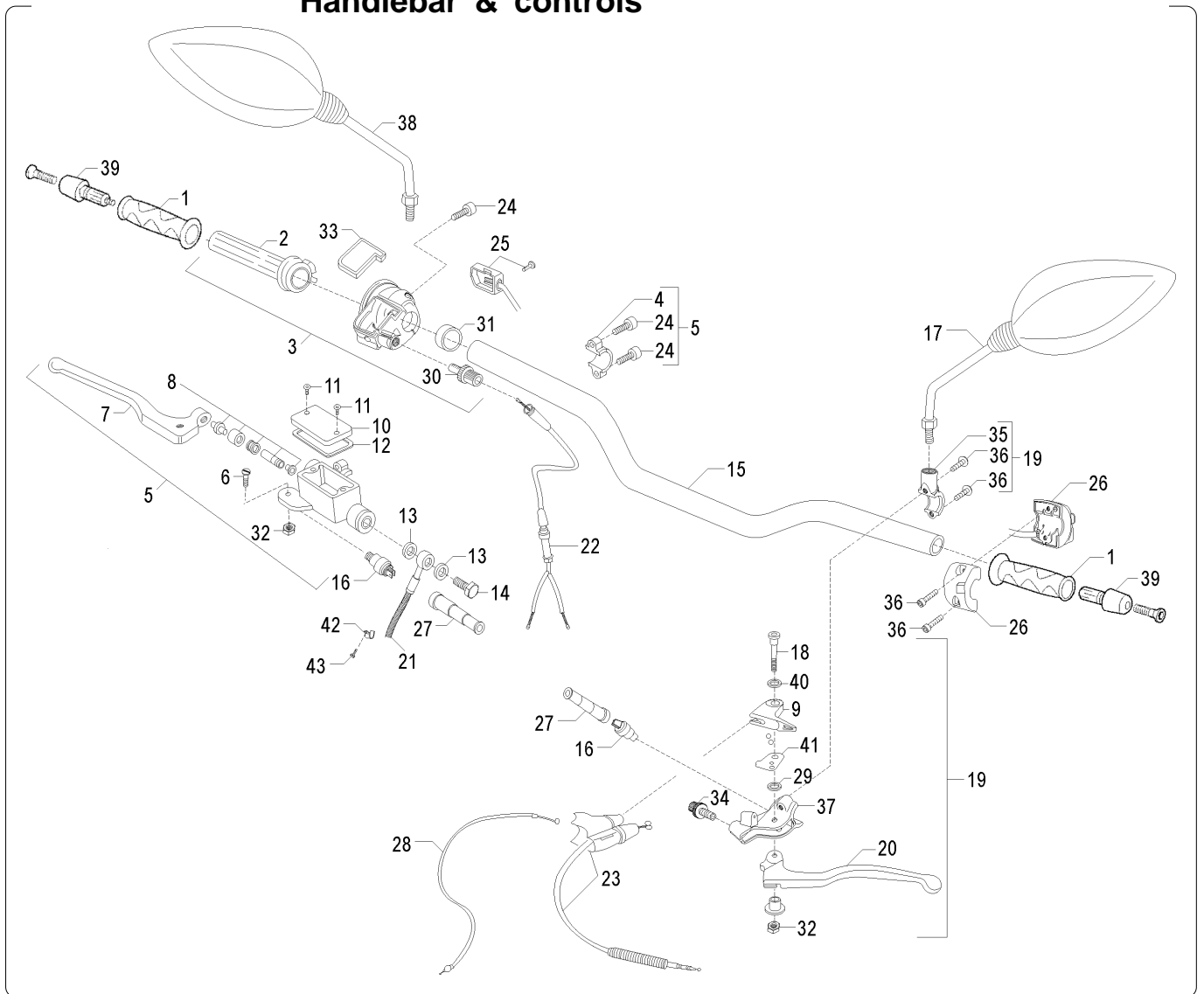


Nr.	Codice	Q.tà	Descrizione
24	071.699.03	1	Kit griglie
25	184.338.15	4	Vite
26	184.257.00	4	Vite
27	184.046.14	6	Rondella
28	184.051.13	3	Rondella
29	150.210.13	2	Boccola
30	184.078.13	1	Dado
--	181.424. --	1	Serie marche CNK 50 Drakon *

Nr.	Code	Q.ty	Description
24	071.699.03	1	L/h - R/h grid set
25	184.338.15	4	Screw
26	184.257.00	4	Screw
27	184.046.14	6	Washer
28	184.051.13	3	Washer
29	150.210.13	2	Collar
30	184.078.13	1	Nut
--	181.424.--	1	CNK 50 Drakon label set *

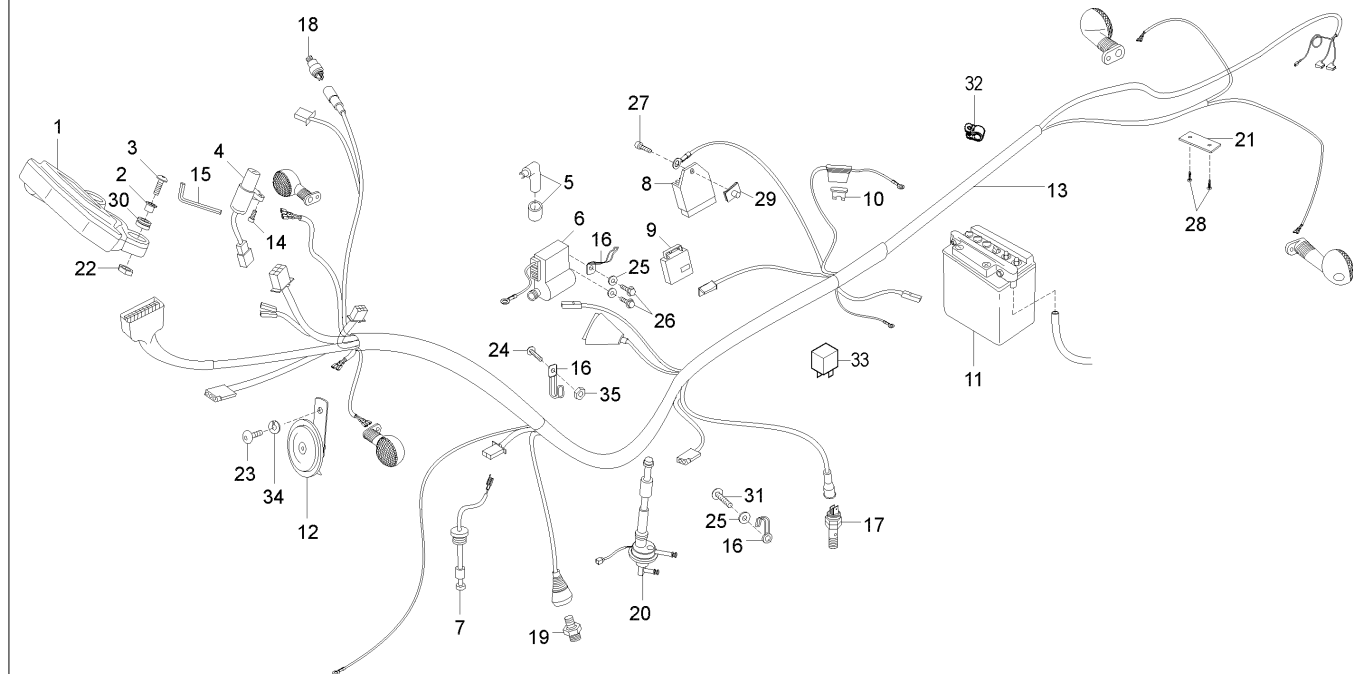
* Vedi tav. N° OO Colori

* Refer to N° OO Colour table

**Manubrio & comandi
 Handlebar & controls**


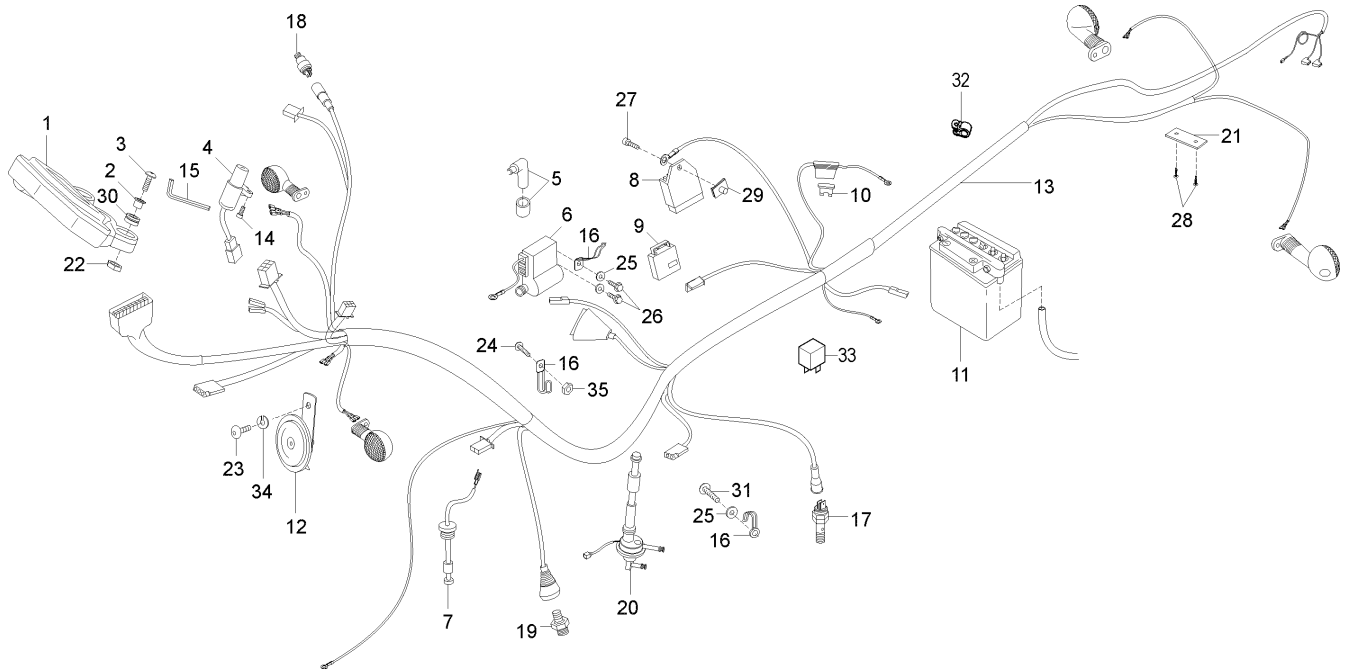
Nr.	Codice	Q.tà	Descrizione
1	097.020.03	1	Kit manopole (dx + sx)
2	121.160.00	1	Tubo comando gas
3	028.023.00	1	Comando gas senza manopole
4	121.155.00	1	Attacco pompa freno dx
5	030.028.03	1	Pompa freno completa + attacco
6	121.157.00	1	Vite fulcro leva freno dx
7	121.164.03	1	Leva freno dx
8	121.161.00	1	Pistone completo
9	121.173.00	1	Leva choke
10	121.156.00	1	Coperchio pompa freno
11	184.179.00	2	Vite coperchio pompa freno
12	121.159.00	1	Guarnizione coperchio pompa freno
13	190.006.00	2	Rasamento
14	150.024.14	1	Vite trasmissione idraulica
15	162.051.13	1	Manubrio
16	021.026.00	2	Interruttore stop leva dx - sx
17	088.046.03	1	Specchio sx
18	121.175.00	1	Vite fulcro leva frizione sx
19	121.172.00	1	Comando frizione sx completo
20	121.169.03	1	Leva frizione sx
21	033.066.00	1	Trasmissione idraulica
22	034.116.03	1	Trasmissione gas con sdoppiatore
23	048.044.03	1	Trasmissione frizione
24	184.247.00	2	Vite attacco pompa freno
25	020.075.00	1	Commutatore dx START

Nr.	Code	Q.ty	Description
1	097.020.03	1	Handgrip set
2	121.160.00	1	Throttle twist grip
3	028.023.00	1	Twist grip tube w/o handgrip set
4	121.155.00	1	R/h front brake pump bracket
5	030.028.03	1	Master cylinder assy
6	121.157.00	1	Lever bolt, r/h
7	121.164.03	1	R/h brake lever
8	121.161.00	1	Master cylinder assy
9	121.173.00	1	Choke lever
10	121.156.00	1	Pump cover
11	184.179.00	2	Pump cover screw
12	121.159.00	1	Pump cover gasket
13	190.006.00	2	Copper banjo washer
14	150.024.14	1	Brake hose bolt
15	162.051.13	1	Handlebar
16	021.026.00	2	Stop switch
17	088.046.03	1	L/h mirror
18	121.175.00	1	Lever bolt, l/h
19	121.172.00	1	L/h clutch control assy
20	121.169.03	1	Clutch lever
21	033.066.00	1	Front hydraulic brake hose
22	034.116.03	1	Throttle cable
23	048.044.03	1	Clutch cable
24	184.247.00	2	Screw
25	020.075.00	1	R/h switch with START

Impianto elettrico
Electrical system


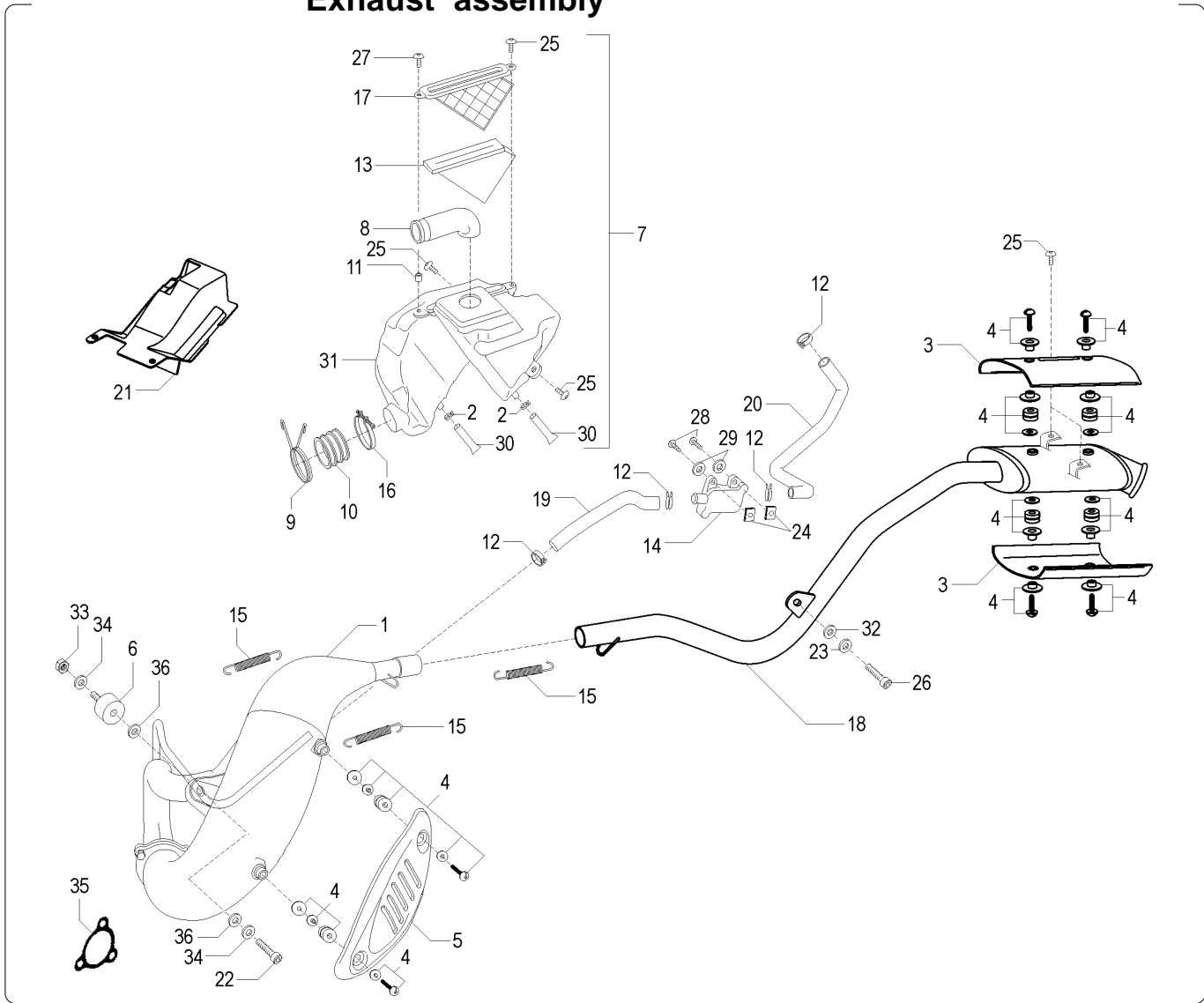
Nr.	Codice	Q.tà	Descrizione
1	196.169.00	1	Cruscotto digitale
2	150.210.13	2	Boccola fissaggio cruscotto
3	184.091.15	2	Vite fissaggio cruscotto
4	020.071.00	1	Commutatore di avviamento
5	073.007.00	1	Pipetta candela con cappuccio
6	024.022.00	1	Centralina CDI
7	093.032.00	1	Sonda livello olio
8	026.021.00	1	Regolatore
9	025.023.00	1	Intermittenza
10	025.010.00	1	Fusibile 10 A
11	074.032.00	1	Batteria 12 V - 5 Ah
12	018.072.00	1	Avvisatore acustico
13	017.412.00	1	Cablaggio centrale
14	184.273.00	2	Vite antimanomissione
15	086.066.00	1	Chiave vite antimanomissione
16	167.039.00	3	Fascetta ferma cablaggio
17	021.025.00	1	Interruttore stop posteriore
18	021.026.00	2	Interruttore stop anteriore
19	021.027.00	1	Bulbo temperatura acqua
20	093.080.00	1	Rubinetto benzina
21	071.542.03	1	Fermacavi frecce posteriori
22	184.078.13	2	Dado
23	184.253.15	1	Vite
24	184.258.00	1	Vite
25	184.051.13	3	Rondella

Nr.	Code	Q.ty	Description
1	196.169.00	1	Digital dashboard
2	150.210.13	2	Bush
3	184.091.15	2	Screw
4	020.071.00	1	Main switch
5	073.007.00	1	Spark plug cap
6	024.022.00	1	CDI
7	093.032.00	1	Oil level gauge
8	026.021.00	1	Regulator
9	025.023.00	1	Flasher relay
10	025.010.00	1	10 A fuse
11	074.032.00	1	12 V - 5 Ah battery
12	018.072.00	1	Horn
13	017.412.00	1	Main switch harness
14	184.273.00	2	Antitampering screw
15	086.066.00	1	Antitampering screw spanner
16	167.039.00	3	Clamp
17	021.025.00	1	Stop switch, rear
18	021.026.00	2	Stop switch, front
19	021.027.00	1	Water temperature sender
20	093.080.00	1	Fuel pet cock
21	071.542.03	1	Rear indicator harness clamp
22	184.078.13	2	Nut
23	184.253.15	1	Screw
24	184.258.00	1	Screw
25	184.051.13	3	Washer

Impianto elettrico
Electrical system


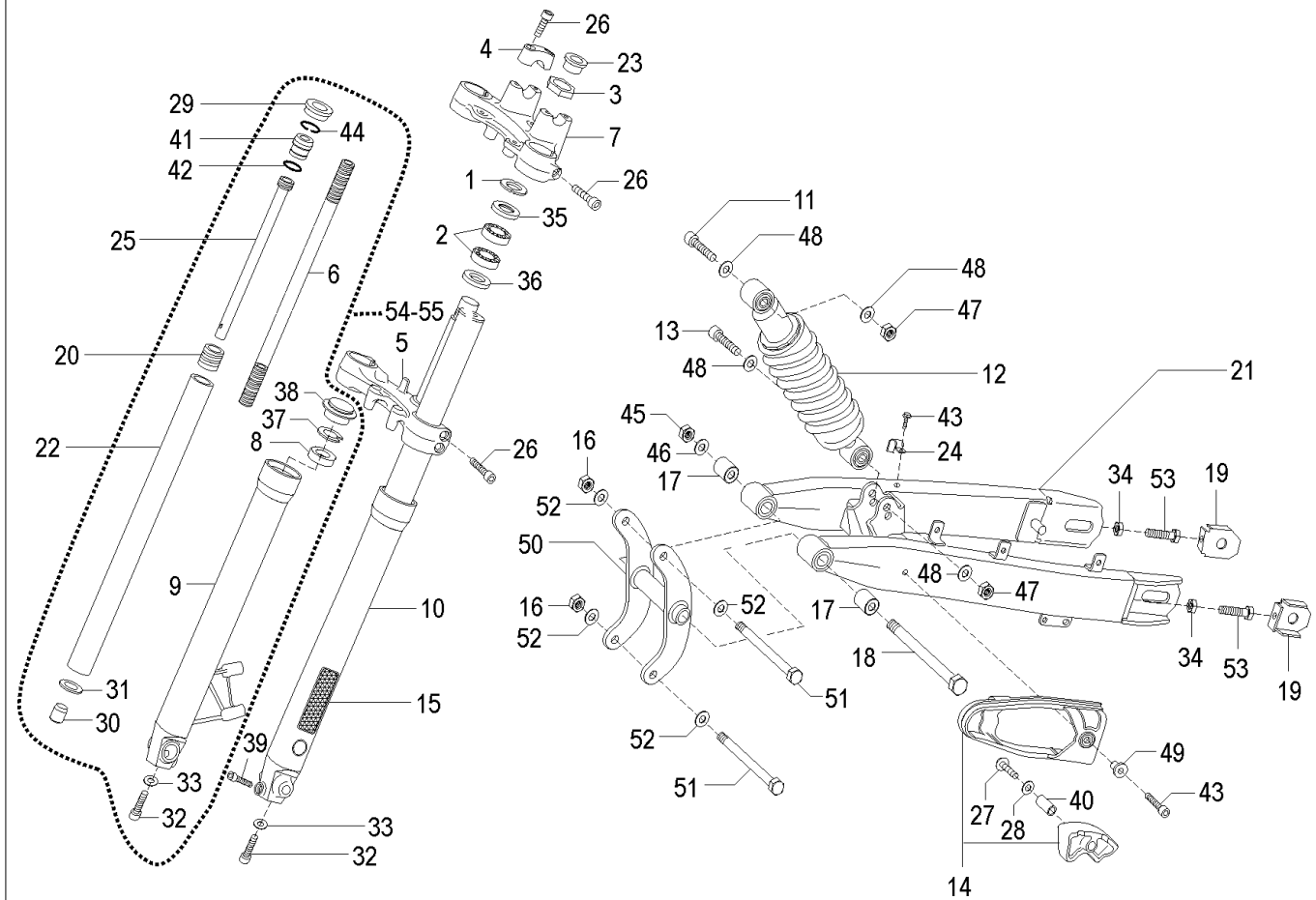
Nr.	Codice	Q.tà	Descrizione
26	184.171.15	2	Vite
27	184.104.13	1	Vite
28	184.047.15	2	Vite
29	184.201.00	1	Prestola M 6
30	080.002.00	2	Gommino
31	184.060.15	1	Vite
32	167.062.00	1	Fascetta
33	025.015.00	1	Relais avviamento
34	184.264.13	1	Rondella
35	184.153.14	1	Dado

Nr.	Code	Q.ty	Description
26	184.171.15	2	Screw
27	184.104.13	1	Screw
28	184.047.15	2	Screw
29	184.201.00	1	Clamp
30	080.002.00	2	Rubber grommet
31	184.060.15	1	Screw
32	167.062.00	1	Clamp
33	025.015.00	1	Starter relais
34	184.264.13	1	Washer
35	184.153.14	1	Nut



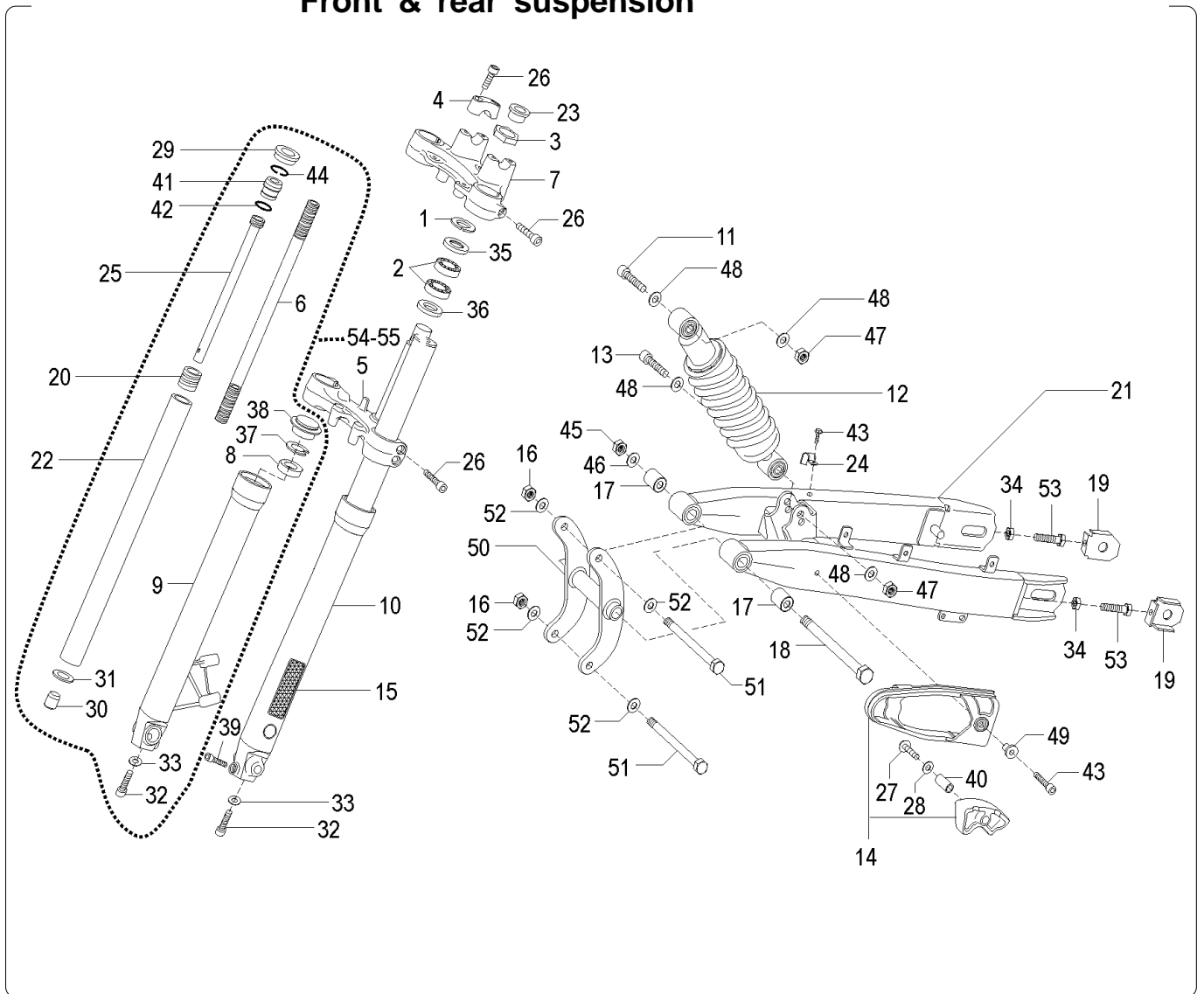
Nr.	Codice	Q.tà	Descrizione
1	165.205.99	1	Marmitta catalitica
2	167.018.13	2	Fascetta stringitubo
3	071.703.16	1	Protezione silenziatore
4	150.320.00	2	Kit fissaggio griglia marmitta
5	071.580.03	1	Protezione marmitta
6	075.042.00	1	Silentblock marmitta
7	066.139.03	1	Cassetta filtro completa
8	076.037.00	1	Manicotto cassetta aspirazione
9	147.157.13	1	Molla manicotto aspirazione
10	076.035.00	1	Manicotto aspirazione al carburatore
11	075.028.00	1	Boccola
12	167.049.00	4	Fascetta
13	066.140.00	1	Filtro aspirazione
14	094.023.00	1	Valvola aria AIS
15	147.026.14	3	Molla scarico
16	167.061.00	1	Fascetta manicotto aspirazione
17	066.142.03	1	Coperchio cassetta filtro
18	166.048.99	1	Silenziatore scarico
19	180.061.00	1	Tubo marmitta - valvola
20	180.062.00	1	Tubo valvola - cassetta filtro
21	071.651.03	1	Protezione cassetta aspirazione
22	184.272.13	1	Vite silentblock marmitta
23	184.264.13	1	Rondella
24	184.152.00	2	Prestola M 5
25	184.254.15	4	Vite

Nr.	Code	Q.ty	Description
1	165.205.99	1	Kat - exhaust system assy
2	167.018.13	2	Clamp
3	071.703.16	1	Silencer heat shield
4	150.320.00	2	Heat shield fixing screw
5	071.580.03	1	Exhaust heat shield
6	075.042.00	1	Exhaust silentblock
7	066.139.03	1	Air box assy
8	076.037.00	1	Air box intake sleeve
9	147.157.13	1	Air box spring clip
10	076.035.00	1	Air box carb. sleeve
11	075.028.00	1	Collar
12	167.049.00	4	Clamp
13	066.140.00	1	Air filter
14	094.023.00	1	AIS air valve
15	147.026.14	3	Exhaust spring
16	167.061.00	1	Clamp
17	066.142.03	1	Air box cover
18	166.048.99	1	Kat - silencer assy
19	180.061.00	1	Hose (exhaust - valve)
20	180.062.00	1	Hose (valve - air box)
21	071.651.03	1	Air box protection
22	184.272.13	1	Screw
23	184.264.13	1	Washer
24	184.152.00	2	Clamp
25	184.254.15	4	Screw



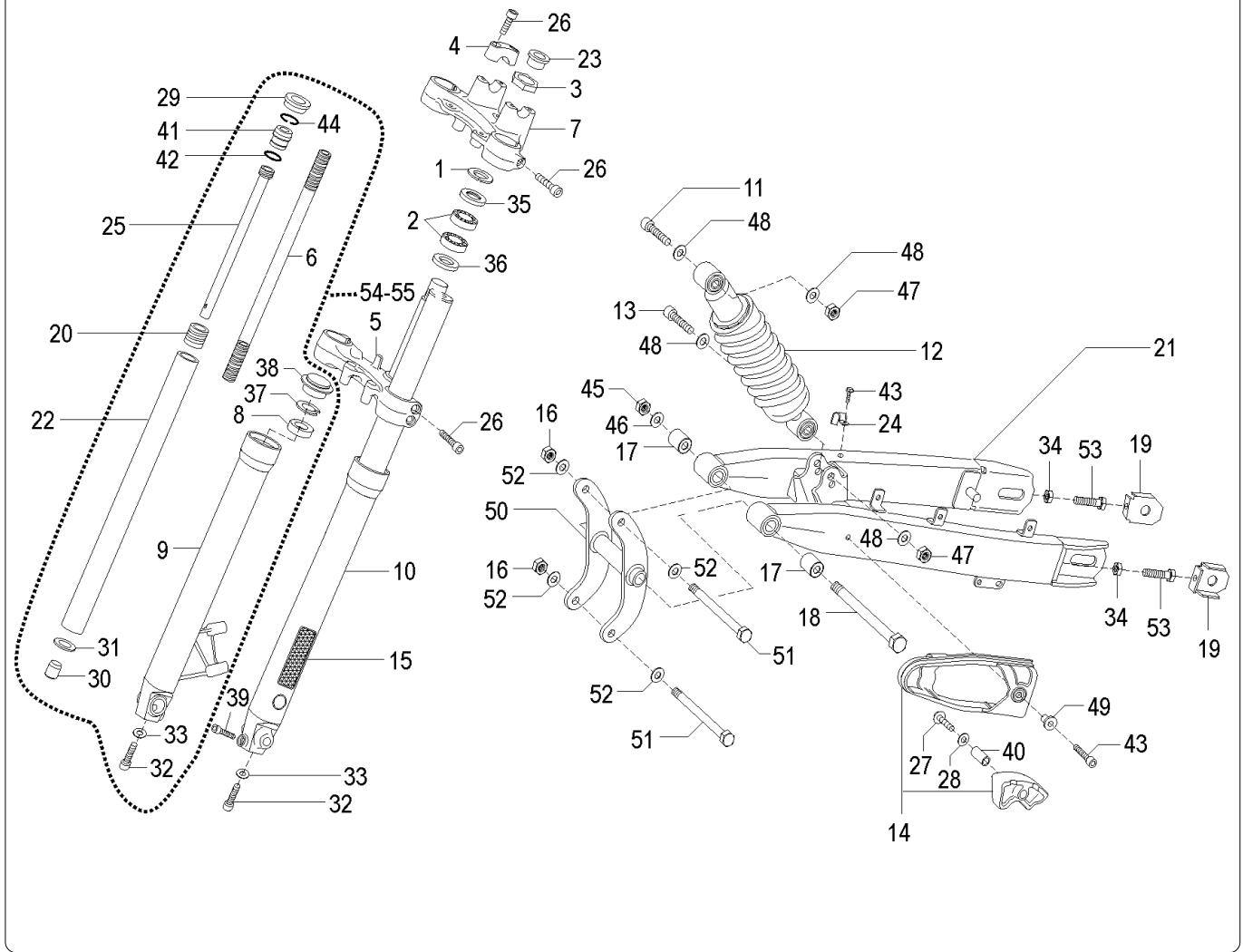
Nr.	Codice	Q.tà	Descrizione
1	185.119.01	1	Ghiera registro sterzo
2	104.040.01	2	Cuscinetto sterzo
3	185.120.01	1	Dado canotto sterzo
4	120.508.01	2	Morsetto superiore manubrio
5	120.510.01	1	Trapezio inferiore
6	120.507.01	2	Molla dx / sx
7	120.509.01	1	Trapezio superiore
8	120.447.01	2	Paraolio forcella
9	120.513.03	1	Fodero dx
10	120.514.03	1	Fodero sx
11	184.262.13	1	Vite fissaggio superiore
12	010.067.03	1	Ammortizzatore
13	184.182.13	1	Vite fissaggio inferiore
14	071.547.00	1	Pattino catena completo
15	071.649.00	1	Catadiottro ambra
16	184.148.13	2	Dado
17	075.040.00	2	Silentblock forcellone
18	100.019.13	1	Perno forcellone
19	189.021.00	2	Tendicatena
20	120.441.01	2	Molla fine corsa
21	157.072.03	1	Forcellone
22	120.433.01	2	Canna forcella dx / sx
23	120.429.01	1	Protezione canotto sterzo
24	167.059.00	1	Fascetta fissaggio tubo freno
25	120.511.01	2	Stelo pompante

Nr.	Code	Q.ty	Description
1	185.119.01	1	Steering nut set
2	104.040.01	2	Steering head bearing
3	185.120.01	1	Steering nut
4	120.508.01	2	Handlebar holder clamp
5	120.510.01	1	Steering bottom yoke
6	120.507.01	2	Spring, R/h - L/h
7	120.509.01	1	Steering top yoke
8	120.447.01	2	Fork oil seal
9	120.513.03	1	R/h tube outer
10	120.514.03	1	L/h tube outer
11	184.262.13	1	Upper fixing screw
12	010.067.03	1	Shock absorber
13	184.182.13	1	Lower fixing screw
14	071.547.00	1	Chain sliding shoe assy
15	071.649.00	1	Amber reflector
16	184.148.13	2	Nut
17	075.040.00	2	Swinging arm silentblock
18	100.019.13	1	Swinging arm pivot
19	189.021.00	2	Chain tightener
20	120.441.01	2	Spring
21	157.072.03	1	Swinging arm
22	120.433.01	2	Inner tube, R/h - L/h
23	120.429.01	1	Steering shaft plug
24	167.059.00	1	Brake hose fixing clamp
25	120.511.01	2	Piston tube



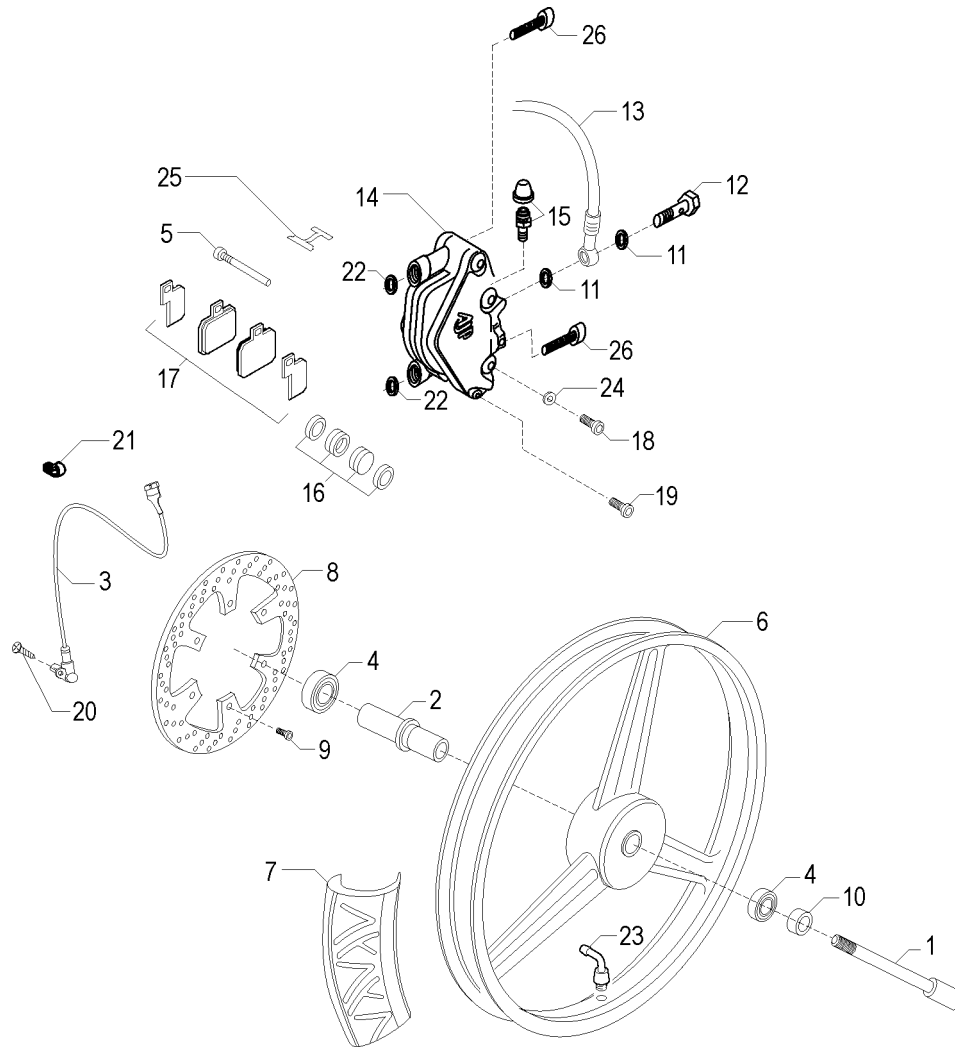
Nr.	Codice	Q.tà	Descrizione
26	184.248.01	10	Viti fissaggio trapezio
27	184.038.13	1	Vite
28	184.053.13	1	Rondella
29	120.431.01	2	Tappo tubo canna forcella
30	120.448.01	2	Cono fine corsa
31	184.252.01	2	Rondella cono fine corsa
32	184.250.01	2	Vite base cono
33	184.251.01	2	Rondella base cono
34	184.145.13	2	Dado
35	072.003.00	1	Parapolvere superiore
36	071.539.00	1	Parapolvere inferiore
37	120.455.01	2	Anello tenuta paraolio
38	120.456.01	2	Cuffia parapolvere
39	120.454.01	1	Vite base fodero
40	150.311.13	1	Distanziale pattino catena
41	120.523.01	2	Distanziale interno
42	120.432.01	2	O-Ring
43	184.171.15	2	Vite
44	120.452.01	2	Anello fissaggio tappo tubo
45	185.010.00	1	Dado
46	119.224.00	1	Rondella
47	184.263.14	2	Dado
48	184.094.13	4	Rondella
49	150.148.14	1	Boccola
50	174.039.99	1	Attacco motore

Nr.	Code	Q.ty	Description
26	184.248.01	10	Fixing screw
27	184.038.13	1	Screw
28	184.053.13	1	Washer
29	120.431.01	2	Plug inner tube
30	120.448.01	2	Taper spindle
31	184.252.01	2	Washer
32	184.250.01	2	Screw
33	184.251.01	2	Washer
34	184.145.13	2	Nut
35	072.003.00	1	Dust seal upper
36	071.539.00	1	Dust seal lower
37	120.455.01	2	Clip oil seal
38	120.456.01	2	Dust seal
39	120.454.01	1	Screw
40	150.311.13	1	Chain slidin shoe spacer
41	120.523.01	2	Inner spacer
42	120.432.01	2	O-Ring
43	184.171.15	2	Screw
44	120.452.01	2	Plug inner tube ring
45	185.010.00	1	Nut
46	119.224.00	1	Washer
47	184.263.14	2	Nut
48	184.094.13	4	Washer
49	150.148.14	1	Collar
50	174.039.99	1	Engine bracket



Nr.	Codice	Q.tà	Descrizione
51	184.261.13	2	Vite
52	184.053.13	4	Rondella
53	184.271.13	2	Vite
54	120.517.03	1	Portaruota dx
55	120.516.03	1	Portaruota sx
--	013.060.50	1	Forcella idraulica

Nr.	Code	Q.ty	Description
51	184.261.13	2	Screw
52	184.053.13	4	Washer
53	184.271.13	2	Screw
54	120.517.03	1	Fork leg assy, r/h
55	120.516.03	1	Fork leg assy, l/h
--	013.060.50	1	Front fork assy



Nr.	Codice	Q.tà	Descrizione
1	190.070.13	1	Perno ruota anteriore
2	119.640.00	1	Distanziale cuscinetti
3	178.185.00	1	Rinvio contakm elettronico Hall
4	119.478.00	2	Cuscinetto ruota
5	119.632.00	1	Perno fissaggio pastiglie
6	109.080.03	1	Ruota anteriore
7	053.007.00	1	Copertura 100 / 80 - 17
8	119.641.00	1	Disco freno anteriore
9	119.642.00	7	Vite disco freno
10	150.346.13	1	Distanziale
11	190.006.00	2	Rasamenti
12	150.024.14	1	Vite trasmissione idraulica
13	033.066.00	1	Trasmissione idraulica anteriore
14	031.036.11	1	Pinza freno anteriore
15	119.630.00	1	Valvola di sfiato
16	119.634.00	2	Pistoncini + anelli di tenuta
17	119.643.00	1	Kit pastiglie freno + piastrine
18	119.568.00	2	Bullone corpo pinza freno
19	119.631.00	2	Bullone pinza freno
20	184.256.00	1	Vite
21	167.062.00	3	Fascetta trasmissione contakm
22	150.348.13	2	Distanziale pinza freno
23	094.021.00	1	Valvola tubeless
24	119.563.00	2	Rondella corpo pinza freno
25	119.629.00	1	Piastrina ferma pastiglie
26	184.166.13	2	Vite fissaggio pinza freno

Nr.	Code	Q.ty	Description
1	190.070.13	1	Front wheel spindle
2	119.640.00	1	Bearing spacer
3	178.185.00	1	Speedo drive, Hall
4	119.478.00	2	Wheel bearing
5	119.632.00	1	Pin
6	109.080.03	1	Front wheel
7	053.007.00	1	Tyre 100 / 80 - 17
8	119.641.00	1	Front brake disc
9	119.642.00	7	Front brake fixing screw
10	150.346.13	1	Spacer
11	190.006.00	2	Copper banjo washer
12	150.024.14	1	Brake hose bolt
13	033.066.00	1	Front hydraulic brake hose
14	031.036.11	1	Front brake caliper
15	119.630.00	1	Bleeding overhaul set
16	119.634.00	1	Brake pistons & seal ring caliper
17	119.643.00	1	Brake pads & damper plate set
18	119.568.00	2	Bolt
19	119.631.00	2	Bolt
20	184.256.00	1	Screw
21	167.062.00	3	Speedo drive clamp
22	150.348.13	2	Front brake caliper spacer
23	094.021.00	1	Wheel valve
24	119.563.00	2	Washer
25	119.629.00	1	Brake pads plate
26	184.166.13	2	Screw

**Colori moto
Colour table**

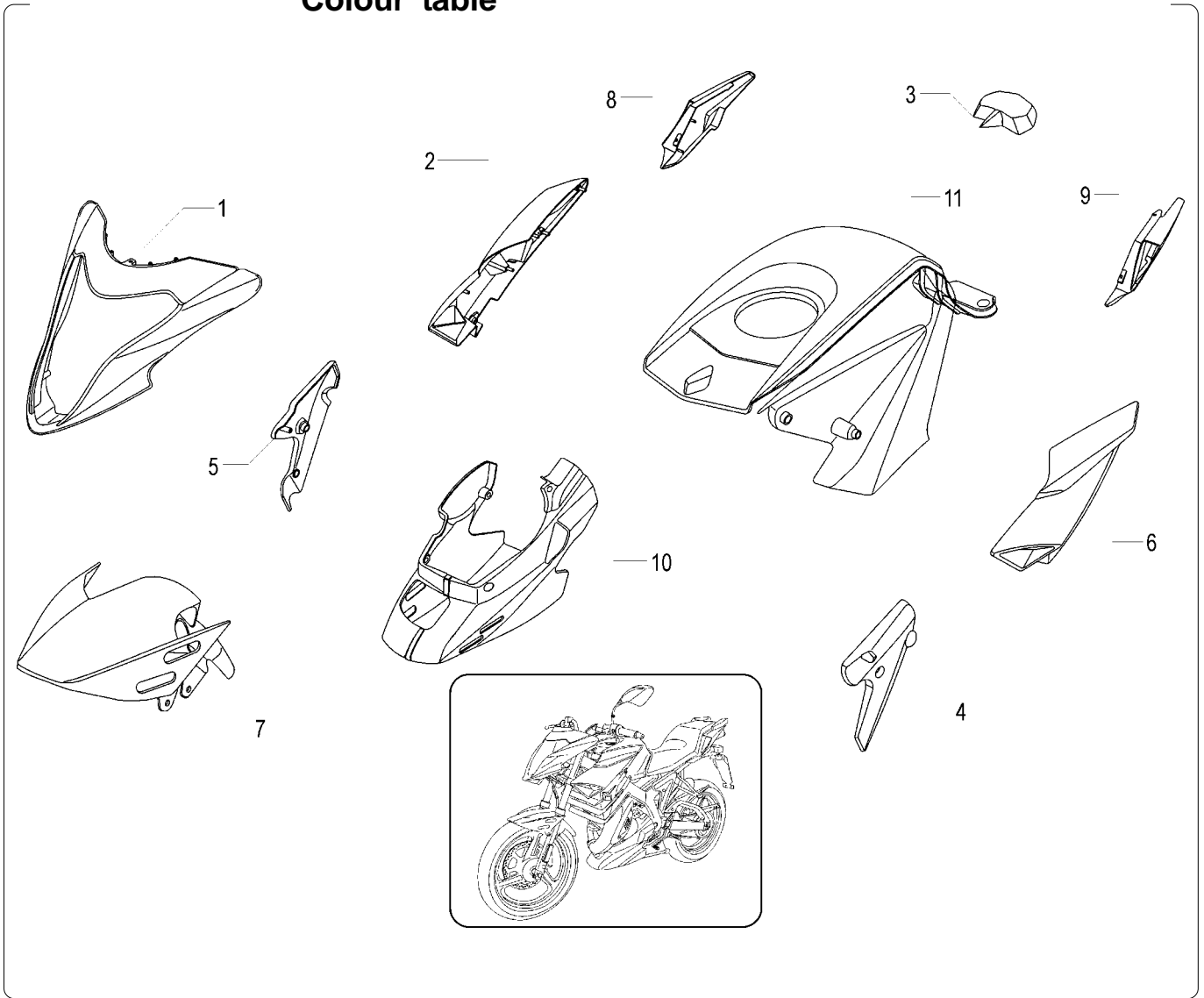


TABELLA COLORI - COLOUR CODES

Colori - Colours

N° Nr.	Codice Code	70 Giallo Yellow Race	71 Rosso Corsa Racing Red	93 Nero Velvet Mat Black				
1	058.050.	70	71	93				
2	060.118.	93	93	93				
3	071.648	93	93	93				
4	060.119.	93	93	93				
5	062.076.	93	93	93				
6	062.077.	93	93	93				
7	055.067.	70	71	93				
8	063.246.	70	71	93				
9	063.247.	70	71	93				
10	063.248.	70	71	93				
11	063.250.	70	71	93				
--	181.424.	70	71	93				

CNK 50 NAKED Kat Euro 2

Motore AM 6

AM 6 engine parts

Nr.	Codice	Q.tà	Descrizione
15	715.109.00	1	Carburatore DELL'ORTO PHBN 16 - NS / R 3156
19	771.203.00	1	Cilindro completo + pistone Ø 40.3 standard
48	024.113.00	1	Motorino avviamento
62	771.177.00	1	Pistone completo Ø 40.3 standard
77	777.022.00	1	Testa con resche
82	782.027.00	1	Volano magnete
99	709.008.00	1	Desmodromico
111	711.011.00	1	Candela
212	721.093.00	1	Coperchio frizione completo
213	721.095.00	1	Coperchio pompa olio
214	721.094.00	1	Coperchio volano
332	733.010.00	1	Forchetta selettore con perni
333	733.011.00	1	Forchetta comando con perno
334	733.012.00	1	Forchetta comando con perno
335	733.013.00	1	Forchetta comando con perno
381	771.196.00	1	Imbiellaggio + gabbia
382	771.197.00	1	Biella completa
435	743.021.00	1	Leva frizione completa
582	758.023.00	1	Pignone rinvio Z = 11
606	760.063.00	1	Collettore aspirazione
641	764.012.00	1	Pompa olio completa
657	765.010.00	1	Ponte registro filo pompa olio
658	765.011.00	1	Ponte cavo frizione
681	771.181.00	1	Serie segmenti Ø 40 standard
701	770.031.00	1	Coppia carter
911	701.062.00	1	Albero primario
914	701.064.00	1	Albero secondario
915	701.065.00	1	Albero selettore con piastrina
916	082.011.00	1	Leva cambio
917	701.066.00	1	Contralbero
2430	724.076.00	1	Gommino registro filo pompa olio
2467	724.040.00	1	Manicotto entrata acqua
2472	760.066.00	1	Inserto valvola a lamelle
2478	724.077.00	1	Gommino passatubi pompa olio
2492	724.033.00	1	Tappo alimentazione olio
2607	715.107.00	1	Tubetto deviatore
2655	726.049.00	2	Piastrina passatubo
3511	735.021.00	1	Spingidisco frizione
3540	735.018.00	3	Disco frizione condotto
3551	735.022.00	4	Disco frizione conduttore
4001	771.108.00	1	Coppia frizione Z = 20 / 71
4017	740.107.00	1	Tamburo frizione
4022	740.162.00	1	Ingranaggio 2° velocità su primario
4023	740.163.00	1	Ingranaggio 3° - 4° velocità su primario

Nr.	Code	Q.ty	Description
15	715.109.00	1	Carburettor DELL'ORTO PHBN 16 - NS / R 3156
19	771.203.00	1	Cylinder assy Ø 40.3 standard
48	024.113.00	1	Starter motor
62	771.177.00	1	Piston assy Ø 40.3 standard
77	777.022.00	1	Cylinder head assy
82	782.027.00	1	Magneto flywheel
99	709.008.00	1	Shift cam assy
111	711.011.00	1	Spark plug
212	721.093.00	1	Clutch cover assy
213	721.095.00	1	Oil pump cover
214	721.094.00	1	Magneto flywheel cover
332	733.010.00	1	Shift fork
333	733.011.00	1	Shift fork 1° - 3°
334	733.012.00	1	Shift fork 2° - 4°
335	733.013.00	1	Shift fork 5° - 6°
381	771.196.00	1	Crankshaft
382	771.197.00	1	Connecting rod
435	743.021.00	1	Clutch lever assy
582	758.023.00	1	Sprocket Z = 11
606	760.063.00	1	Intake manifold
641	764.012.00	1	Oil pump assy
657	765.010.00	1	Oil cable holder
658	765.011.00	1	Clutch cable holder
681	771.181.00	1	Piston ring assy Ø 40 standard
701	770.031.00	1	Crankcase set
911	701.062.00	1	Main shaft
914	701.064.00	1	Counter shaft
915	701.065.00	1	Gear selector shaft
916	082.011.00	1	Gear lever
917	701.066.00	1	Balancer shaft
2430	724.076.00	1	Oil pump rubber
2467	724.040.00	1	Water manifold
2472	760.066.00	1	Reed valve insert
2478	724.077.00	1	Oil pump rubber
2492	724.033.00	1	Oil plug
2607	715.107.00	1	Pipe
2655	726.049.00	2	Pipe plate
3511	735.021.00	1	Clutch pressure disc
3540	735.018.00	3	Clutch plate driven
3551	735.022.00	4	Clutch plate drive
4001	771.108.00	1	Gear set Z = 20 / 71
4017	740.107.00	1	Clutch drum
4022	740.162.00	1	Gear 2 nd drive
4023	740.163.00	1	Gear 3 rd - 4 th drive

Motore AM 6
AM 6 engine parts

Nr.	Codice	Q.tà	Descrizione
4025	740.164.00	1	Ingranaggio 5° velocità su primario
4026	740.165.00	1	Ingranaggio 6° velocità su primario
4031	740.166.00	1	Ingranaggio 1° velocità su secondario
4032	740.167.00	1	Ingranaggio 2° velocità su secondario
4033	740.168.00	1	Ingranaggio 3° velocità su secondario
4034	740.169.00	1	Ingranaggio 4° velocità su secondario
4035	740.170.00	1	Ingranaggio 5° velocità su secondario
4036	740.171.00	1	Ingranaggio 6° velocità su secondario
4040	740.111.00	1	Ingranaggio doppio intermedio
4048	740.113.00	1	Ingranaggio condotto pompa acqua
4049	740.039.00	1	Ingranaggio condotto pompa olio - acqua
4060	740.173.00	1	Coppia ingranaggi contralbero
4620	746.036.00	4	Molla frizione
4635	746.061.00	1	Molla sfera segnamarce
4639	746.065.00	1	Molla protezione tubo olio
4650	746.013.00	1	Molla richiamo forchetta selettore
4655	746.014.00	1	Molla richiamo leva comando cambio
4660	746.038.00	1	Molla richiamo leva frizione
4680	746.030.00	1	Molla a disco reggispinta 17.3 x 27.7 x 0.35
5101	751.001.00	2	Astuccio a rullini DB 14 - 12
5106	751.038.00	1	Boccola guida molla selettore
5113	751.008.00	1	Gabbia KBK Ø 12 x 15 x 15
5146	751.005.00	1	Cuscinetto Ø 15 x 35 x 11 (6202)
5148	104.028.00	1	Cuscinetto Ø 17 x 40 x 12 (6203)
5156	751.087.00	1	Cuscinetto Ø 20 x 47 x 14 (6204)
5172	104.028.00	1	Cuscinetto Ø 17 x 40 x 12 (6203)
5178	751.040.00	2	Cuscinetto Ø 17 x 47 x 14
5181	120.261.00	1	Sfera 3 / 16
5182	751.037.00	1	Sfera Ø 9
5303	753.002.00	1	Anello di tenuta O.R. Ø 12.5 x 1.5
5310	753.166.00	1	Anello di tenuta O.R. Ø 25.07 x 2.62
5315	753.167.00	1	Anello di tenuta O.R. Ø 15.1 x 2.7
5318	753.048.00	1	Anello di tenuta O.R. Ø 11.8 x 2.4
5320	753.097.00	1	Guarnizione base cilindro
5327	753.098.00	1	Guarnizione coperchio frizione
5330	753.186.00	1	Guarnizione coperchio volano
5341	753.100.00	1	Guarnizione corpo pompa acqua
5357	753.028.00	1	Guarnizione vite arresto scorrevole
5358	753.058.00	1	Guarnizione vite livello olio
5359	753.029.00	2	Guarnizione vite scarico olio
5361	753.030.00	1	Guarnizione vite scarico acqua
5362	753.169.00	1	Guarnizione
5371	753.031.00	1	Paraolio Ø 12 x 22 x 7
5372	753.170.00	1	Paraolio Ø 15 x 24 x 5

Nr.	Code	Q.ty	Description
4025	740.164.00	1	Gear 5 th drive
4026	740.165.00	1	Gear 6 th drive
4031	740.166.00	1	Gear 1 st driven
4032	740.167.00	1	Gear 2 nd driven
4033	740.168.00	1	Gear 3 rd driven
4034	740.169.00	1	Gear 4 th driven
4035	740.170.00	1	Gear 5 th driven
4036	740.171.00	1	Gear 6 th driven
4040	740.111.00	1	Idle gear assy
4048	740.113.00	1	Water pump gear
4049	740.039.00	1	Oil pump gear
4060	740.173.00	1	Balancer shaft gear set
4620	746.036.00	4	Clutch spring
4635	746.061.00	1	Gear spring
4639	746.065.00	1	Oil pipe protection spring
4650	746.013.00	1	Fork spring
4655	746.014.00	1	Gear lever spring
4660	746.038.00	1	Clutch lever spring
4680	746.030.00	1	Spring
5101	751.001.00	2	Needle bearing DB 14 - 12
5106	751.038.00	1	Selector bush
5113	751.008.00	1	Roller bearing KBK Ø 12 x 15 x 15
5146	751.005.00	1	Bearing Ø 15 x 35 x 11 (6202)
5148	104.028.00	1	Bearing Ø 17 x 40 x 12 (6203)
5156	751.087.00	1	Bearing Ø 20 x 47 x 14 (6204)
5172	104.028.00	1	Bearing Ø 17 x 40 x 12 (6203)
5178	751.040.00	2	Bearing Ø 17 x 47 x 14
5181	120.261.00	1	Cage 3 / 16
5182	751.037.00	1	Cage Ø 9
5303	753.002.00	1	Oil seal O.R. Ø 12.5 x 1.5
5310	753.166.00	1	Oil seal O.R. Ø 25.07 x 2.62
5315	753.167.00	1	Oil seal O.R. Ø 15.1 x 2.7
5318	753.048.00	1	Oil seal O.R. Ø 11.8 x 2.4
5320	753.097.00	1	Base cylinder gasket
5327	753.098.00	1	Clutch cover gasket
5330	753.186.00	1	Magneto flywheel cover gasket
5341	753.100.00	1	Water pump body gasket
5357	753.028.00	1	Gasket
5358	753.058.00	1	Oil level screw gasket
5359	753.029.00	2	Oil drain screw gasket
5361	753.030.00	1	Water hose gasket
5362	753.169.00	1	Neutral switch gasket
5371	753.031.00	1	Oil seal Ø 12 x 22 x 7
5372	753.170.00	1	Oil seal Ø 15 x 24 x 5

Motore AM 6
AM 6 engine parts

Nr.	Codice	Q.tà	Descrizione
5376	753.171.00	1	Paraolio B1B Ø 17 x 35 x 8
5395	753.172.00	1	Paraolio BADUO Ø 10 x 18 x 8
5398	753.102.00	1	Paraolio BAVI U3 24 x 35 x 7
5603	756.060.00	1	Perno pompa acqua con girante
5605	743.022.00	1	Asta frizione
5609	021.027.00	1	Bulbo temperatura acqua
5611	756.104.00	1	Busta porta sfera segnamarce
5612	756.080.00	1	Termostato
5615	756.015.00	2	Grano riferimento carter
5616	756.016.00	2	Grano riferimento coperchi
5636	756.064.00	1	Perno guida forchetta
5637	756.105.00	1	Perno guida forchetta
5645	756.035.00	1	Interruttore spia folle
5650	756.106.00	1	Perno pompa olio
5653	756.107.00	1	Perno
5661	756.024.00	2	Rullo per ingranaggio
5663	756.038.00	2	Rullo riferimento corpo pompa
5665	756.013.00	1	Asta spingidisco frizione completa
5670	756.055.00	1	Spinotto Ø 12 x 34.5
6013	760.076.00	1	Corpo pompa acqua
6015	760.065.00	1	Valvola lamelle completa
6050	094.023.00	1	Valvola aria AIS - (vedi Tav. I - Fig. 14)
9323	703.002.00	2	Anello fermo spinotto Ø 12
9351	703.003.00	3	Anello seeger per albero Ø 8
9352	703.036.00	2	Anello seeger per albero Ø 12
9355	703.037.00	2	Anello seeger per albero Ø 18
9362	703.039.00	3	Anello seeger per albero Ø 20
9363	703.040.00	2	Anello seeger per albero Ø 14
9365	703.041.00	3	Anello seeger per albero Ø 20
15270	715.056.00	1	Raccordo sfiato olio
24107	077.058.00	2	Tubo raccordo testa - carburatore
49001	749.298.00	1	Fascetta supporto motorino avviamento
49004	749.148.00	1	Fascetta tubo pompa olio
49005	749.180.00	1	Fascetta collettore aspirazione
49007	749.147.00	1	Fascetta tubo entrata olio
49009	749.285.00	1	Chiavetta ingranaggio contralbero
49010	749.170.00	1	Chiavetta pignone
49015	749.003.00	1	Chiavetta volano magnete
49022	749.220.00	4	Fascetta
49035	749.074.00	1	Dado M 7 x 5.5 - (CH = 12)
49037	749.209.00	4	Dado M 7 x 1 autobloccante cieco
49040	749.158.00	1	Dado M 10 x 1.25 - (CH = 15)
49041	749.052.00	1	Dado M 12 x 1.25 - (CH = 17) - H = 7
49042	749.009.00	1	Dado M 14 x 1.25 - (CH = 19) - H = 6

Nr.	Code	Q.ty	Description
5376	753.171.00	1	Oli seal B1B Ø 17 x 35 x 8
5395	753.172.00	1	Oil seal BADUO Ø 10 x 18 x 8
5398	753.102.00	1	Oil seal BAVI U3 24 x 35 x 7
5603	756.060.00	1	Water pump impeller
5605	743.022.00	1	Clutch push rod
5609	021.027.00	1	Water temperature switch
5611	756.104.00	1	Gear cage housing
5612	756.080.00	1	Thermostat
5615	756.015.00	2	Cranckcase pin
5616	756.016.00	2	Cover pin
5636	756.064.00	1	Fork pin
5637	756.105.00	1	Fork pin
5645	756.035.00	1	Neutral switch
5650	756.106.00	1	Oil pump pivot
5653	756.107.00	1	Pivot
5661	756.024.00	2	Gear pin
5663	756.038.00	2	Water pump body pin
5665	756.013.00	1	Clutch push rod
5670	756.055.00	1	Piston pin Ø 12 x 34.5
6013	760.076.00	1	Water pump body
6015	760.065.00	1	Reed valve assy
6050	094.023.00	1	Air valve AIS - (See Tav. I - draw 14)
9323	703.002.00	2	Piston pin circlip Ø 12
9351	703.003.00	3	Seeger shaft Ø 8
9352	703.036.00	2	Seeger shaft Ø 12
9355	703.037.00	2	Seeger shaft Ø 18
9362	703.039.00	3	Seeger shaft Ø 20
9363	703.040.00	2	Seeger shaft Ø 14
9365	703.041.00	3	Seeger shaft Ø 20
15270	715.056.00	1	Oil drain joint
24107	077.058.00	2	Head - carburettor hose joint
49001	749.298.00	1	Starter motor bracket clamp
49004	749.148.00	1	Oil pump pipe clamp
49005	749.180.00	1	Intake manifold clamp
49007	749.147.00	1	Clamp
49009	749.285.00	1	Balancer shaft key
49010	749.170.00	1	Sprocket key
49015	749.003.00	1	Woodruff key
49022	749.220.00	4	Clamp
49035	749.074.00	1	Nut M 7 x 5.5 - (CH = 12)
49037	749.209.00	4	Nut M 7 x 1
49040	749.158.00	1	Nut M 10 x 1.25 - (CH = 15)
49041	749.052.00	1	Nut M 12 x 1.25 - (CH = 17) - H = 7
49042	749.009.00	1	Nut M 14 x 1.25 - (CH = 19) - H = 6

Motore AM 6
AM 6 engine parts

Nr.	Codice	Q.tà	Descrizione
49049	749.111.00	1	Dado M 12 x 1 - (CH = 19) - H = 5
49056	749.272.00	1	Dado M 12 x 1.25 - (CH = 17) - H = 11
49068	749.077.00	1	Distanziale forchetta
49070	749.286.00	1	Distanziale cuscinetto paraolio frizione
49074	749.115.00	1	Distanziale inferiore tamburo frizione
49084	749.078.00	4	Prigioniero M 7 x 115
49095	749.287.00	4	Rondella bisellata Ø 7.4 x 14 x 1.6
49099	749.288.00	1	Dado M 5 x 0.75
49101	749.079.00	1	Rondella dentellata Ø 7
49120	749.054.00	2	Rondella rasamento Ø 10 x 16 x 0.6
49122	749.273.00	1	Rondella Ø 12 x 17 x 0.6
49124	749.025.00	2	Rondella Ø 12.3 x 22
49132	749.275.00	1	Rondella Ø 17.2 x 30 x 0.8
49135	749.276.00	3	Rondella Ø 20.45 x 28 x 0.4
49139	749.277.00	2	Rondella Ø 14.5 x 27 x 0.4
49151	749.161.00	3	Rondella Ø 8.4 x 16 x 0.6
49155	749.120.00	3	Rondella Ø 8.2 x 15 x 1
49175	749.061.00	1	Rondella Ø 12.75 x 28 x 1.5
49191	749.127.00	4	Rondella Ø 5 x 15 x 2
49192	749.128.00	1	Rondella Ø 12
49193	749.129.00	1	Rondella Ø 14 x 26 x 0.5
49200	749.063.00	1	Vite registro frizione
49226	749.278.00	3	Vite M 4 x 10 con flangia
49227	749.035.00	2	Vite M 6 x 7
49228	749.138.00	4	Vite M 5 x 20
49230	749.088.00	2	Vite M 4 x 10
49236	749.141.00	2	Vite M 5 x 16
49238	749.065.00	5	Vite M 5 x 20
49244	749.279.00	2	Vite M 6 x 22
49245	749.068.00	2	Vite M 6 x 25
49246	749.038.00	7	Vite M 6 x 30
49248	749.280.00	13	Vite M 6 x 40
49251	749.281.00	1	Vite M 6 x 55
49255	749.176.00	1	Vite M 6 x 12
49256	749.153.00	1	Vite M 5 x 12
49281	749.069.00	1	Vite M 8 x 10 - (CH = 13) scarico olio
49290	749.070.00	1	Vite M 12 x 1.25 arresto scorrevole M.M.
49292	749.282.00	2	Vite M 6 x 20
49401	749.177.00	1	Rondella acciaio Ø 15 x 25
49405	749.255.00	1	Rondella Ø 6 x 11 x 1.2
49514	749.299.00	2	Vite M 6 x 25
49528	749.283.00	1	Vite tendifilo
49840	749.284.00	2	Vite M 5 x 35
53309	753.174.00	1	Guarnizione testa esterna

Nr.	Code	Q.ty	Description
49049	749.111.00	1	Nut M 12 x 1 - (CH = 19) - H = 5
49056	749.272.00	1	Nut M 12 x 1.25 - (CH = 17) - H = 11
49068	749.077.00	1	Fork spacer
49070	749.286.00	1	Bearing spacer
49074	749.115.00	1	Lower spacer
49084	749.078.00	4	Stud bolt M 7 x 115
49095	749.287.00	4	Washer Ø 7.4 x 14 x 1.6
49099	749.288.00	1	Nut M 5 x 0.75
49101	749.079.00	1	Washer Ø 7
49120	749.054.00	2	Washer Ø 10 x 16 x 0.6
49122	749.273.00	1	Washer Ø 12 x 17 x 0.6
49124	749.025.00	2	Washer Ø 12.3 x 22
49132	749.275.00	1	Washer Ø 17.2 x 30 x 0.8
49135	749.276.00	3	Washer Ø 20.45 x 28 x 0.4
49139	749.277.00	2	Washer Ø 14.5 x 27 x 0.4
49151	749.161.00	3	Washer Ø 8.4 x 16 x 0.6
49155	749.120.00	3	Washer Ø 8.2 x 15 x 1
49175	749.061.00	1	Washer Ø 12.75 x 28 x 1.5
49191	749.127.00	4	Washer Ø 5 x 15 x 2
49192	749.128.00	1	Washer Ø 12
49193	749.129.00	1	Washer Ø 14 x 26 x 0.5
49200	749.063.00	1	Clutch adjusting screw
49226	749.278.00	3	Screw M 4 x 10
49227	749.035.00	2	Screw M 6 x 7
49228	749.138.00	4	Screw M 5 x 20
49230	749.088.00	2	Screw M 4 x 10
49236	749.141.00	2	Screw M 5 x 16
49238	749.065.00	5	Screw M 5 x 20
49244	749.279.00	2	Screw M 6 x 22
49245	749.068.00	2	Screw M 6 x 25
49246	749.038.00	7	Screw M 6 x 30
49248	749.280.00	13	Screw M 6 x 40
49251	749.281.00	1	Screw M 6 x 55
49255	749.176.00	1	Screw M 6 x 12
49256	749.153.00	1	Screw M 5 x 12
49281	749.069.00	1	Screw M 8 x 10 - (CH = 13)
49290	749.070.00	1	Screw M 12 x 1.25
49292	749.282.00	2	Screw M 6 x 20
49401	749.177.00	1	Washer Ø 15 x 25
49405	749.255.00	1	Washer Ø 6 x 11 x 1.2
49514	749.299.00	2	Screw M 6 x 25
49528	749.283.00	1	Screw
49840	749.284.00	2	Screw M 5 x 35
53309	753.174.00	1	External head gasket

CNK 50 NAKED Kat Euro 2

Motore AM 6

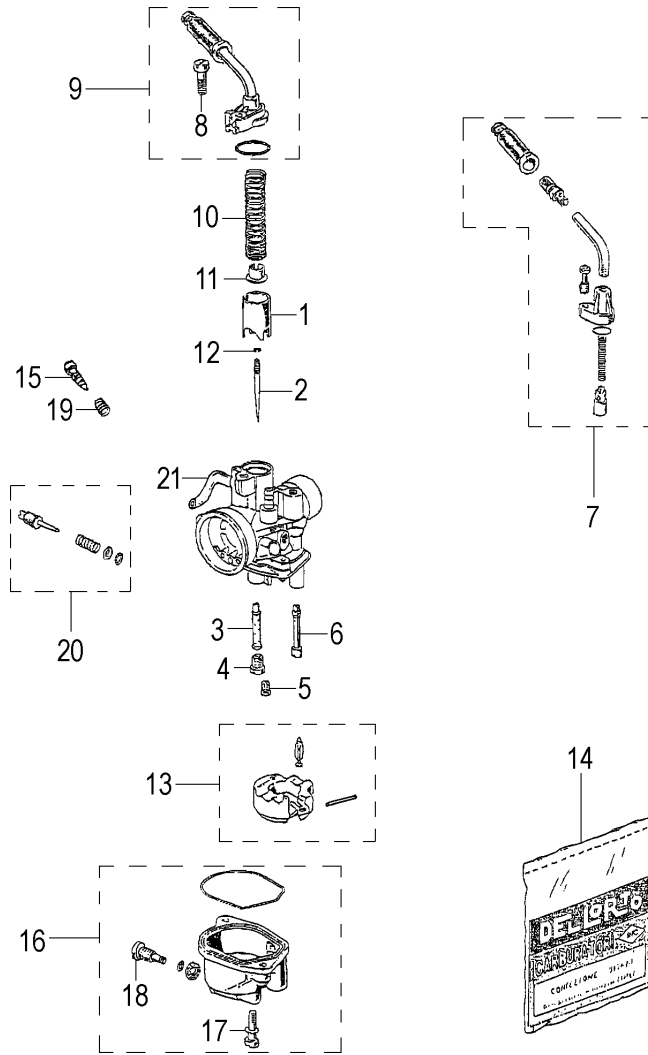
AM 6 engine parts

Nr.	Codice	Q.tà	Descrizione
-----	--------	------	-------------

53310	753.175.00	1	Guarnizione testa interna
53508	753.173.00	1	Paraolio BASL Ø 20 x 35 x 7
--	701.067.00	1	Albero primario completo
--	701.068.00	1	Albero secondario completo
--	701.069.00	1	Albero selettore completo
--	721.096.00	1	Coperchio frizione completo
--	740.174.00	1	Cambio completo 6 velocità
--	799.116.00	1	Serie guarnizioni AM 6
--	771.110.00	1	Serie paraolio AM 6
--	771.176.00	1	Pistone completo Ø 40.3 - 1° maggiorazione
--	771.175.00	1	Serie segmenti Ø 40.3 - 1° maggiorazione
--	142.131.03	1	Motore completo (174.129) Euro 2

Nr.	Code	Q.ty	Description
-----	------	------	-------------

53310	753.175.00	1	Internal head gasket
53508	753.173.00	1	Oil seal BASL Ø 20 x 35 x 7
--	701.067.00	1	Main shaft assy
--	701.068.00	1	Counter shaft assy
--	701.069.00	1	Gear selector shaft assy
--	721.096.00	1	Clutch cover assy
--	740.174.00	1	Gear assy 6 speed
--	799.116.00	1	Gasket set AM 6
--	771.110.00	1	Oil seal set AM 6
--	771.176.00	1	Piston assy Ø 40.3 - 1° oversized
--	771.175.00	1	Piston ring assy Ø 40.3 - 1° oversized
--	142.131.03	1	Engine assy (174.129) Euro 2

**Carburatore
Carburettor**


Nr.	Codice	Q.tà	Descrizione
01	623.266.00	1	Valvola gas completa Ø 40
02	623.323.00	1	Spillo conico A 39
03	623.322.00	1	Polverizzatore HA 210
04	623.321.00	1	Getto massimo Ø 76
05	623.127.00	1	Getto minimo Ø 34
06	623.267.00	1	Getto avviamento Ø 45
07	623.268.00	1	Kit starter avviamento
08	623.263.00	1	Vite coperchio valvola gas
09	623.262.00	1	Coperchio valvola gas
10	623.241.00	1	Molla richiamo valvola gas
11	623.053.00	1	Fermo spillo conico
12	623.054.00	1	Seeger spillo conico
13	623.134.00	1	Galleggiante completo
14	623.281.00	1	Busta guarnizioni
15	623.073.00	1	Vite regolazione aria minimo
16	623.260.00	1	Vaschetta completa
17	623.060.00	2	Vite fissaggio vaschetta
18	623.261.00	1	Vite spurgo vaschetta
19	623.076.00	1	Molla vite regolaz. aria minimo
20	623.250.00	1	Kit vite regolazione valvola gas
21	623.280.00	1	Tubo aria vaschetta
--	715.109.00	1	Carburatore completo Dell'Orto PHBN 16 - NS / R 3156

Nr.	Code	Q.ty	Description
01	623.266.00	1	Throttle valve assy Ø 40
02	623.323.00	1	Needle A 39
03	623.322.00	1	Spray nozzle HA 210
04	623.321.00	1	Max jet Ø 76
05	623.127.00	1	Idle jet Ø 34
06	623.267.00	1	Starter jet Ø 45
07	623.268.00	1	Starter kit
08	623.263.00	1	Carburettor panel screw
09	623.262.00	1	Carburettor panel
10	623.241.00	1	Throttle valve spring
11	623.053.00	1	Needle ring
12	623.054.00	1	Needle seeger
13	623.134.00	1	Float assy
14	623.281.00	1	Gasket set
15	623.073.00	1	Idle adj. screw
16	623.260.00	1	Float chamber assy
17	623.060.00	2	Float chamber fixing screw
18	623.261.00	1	Float chamber drain screw
19	623.076.00	1	Idle screw spring
20	623.250.00	1	Throttle valve adj. screw kit
21	623.280.00	1	Float chamber pipe
--	715.109.00	1	Carburettor assy Dell'Orto PHBN 16 - NS / R 3156