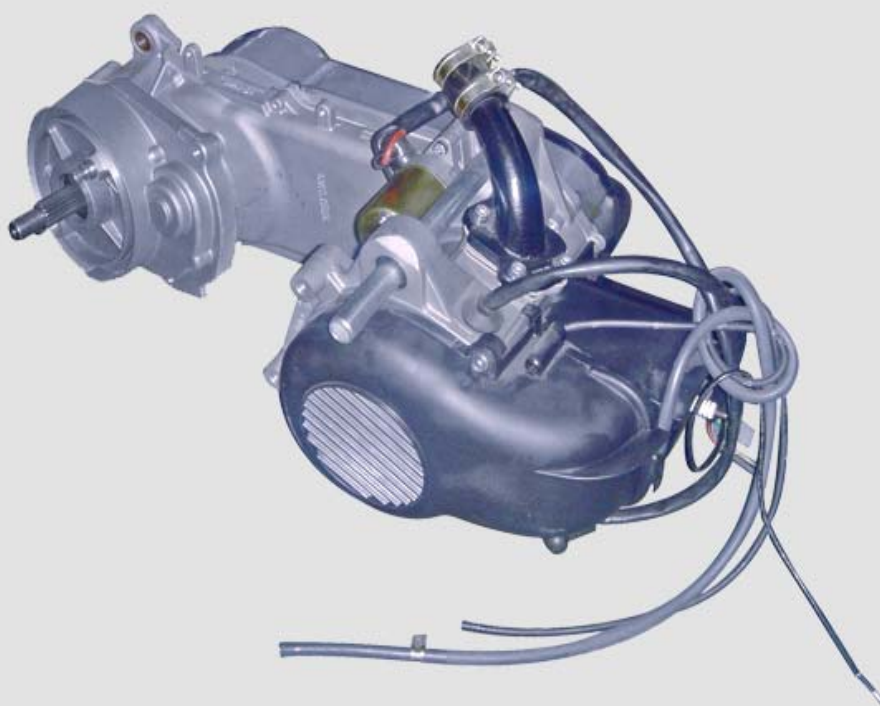




两冲50CC发动机(长箱短轴)

Two Storke 50CC Engine (LongCrankcase-ShortShaft)



浙江永源摩托车制造有限公司

Zhejiang Jonway Motorcycle Manufacturing Co.,Ltd.

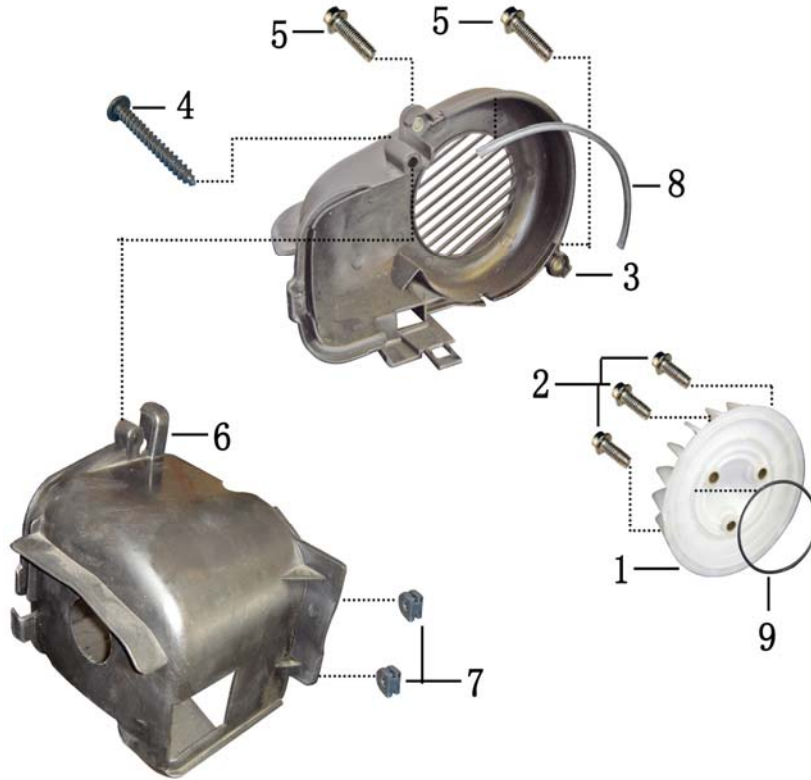
目录

1	图1 Draft 1	风扇及导风系统	VENTILATION SYSTEM
2	图2 Draft 2	气缸头盖	CYLINDER HEAD COVER COMP
3	图3 Draft 3	气缸头	CYLINDER HEAD COMP
4	图4 Draft 4	气缸体	CYLINDER COMP
5	图5 Draft 5	右盖	RIGHT COVER COMP
6	图6 Draft 6	右箱体	RIGHT CRANKCASE COMP
7	图7 Draft 7	左箱体	LEFT CRANKCASE COMP
8	图8 Draft 8	左盖	LEFT CRANKCASE COVER
9	图9 Draft 9	活塞连杆曲轴	PISTON, CONNECTING ROD AND CRANKSHAFT COMP
10	图10 Draft 10	CVT	CVT
11	图11 Draft 11	起动系统	STARTER IDLE SHAFT COMP
12	图12 Draft 12	机油泵	OIL PUMP COMP
13	图13 Draft 13	起动电机	STARTER MOTOR
14	图14 Draft 14	磁电机	GENERATOR

图1

Draft 1

风扇及导风系统
VENTILATION SYSTEM



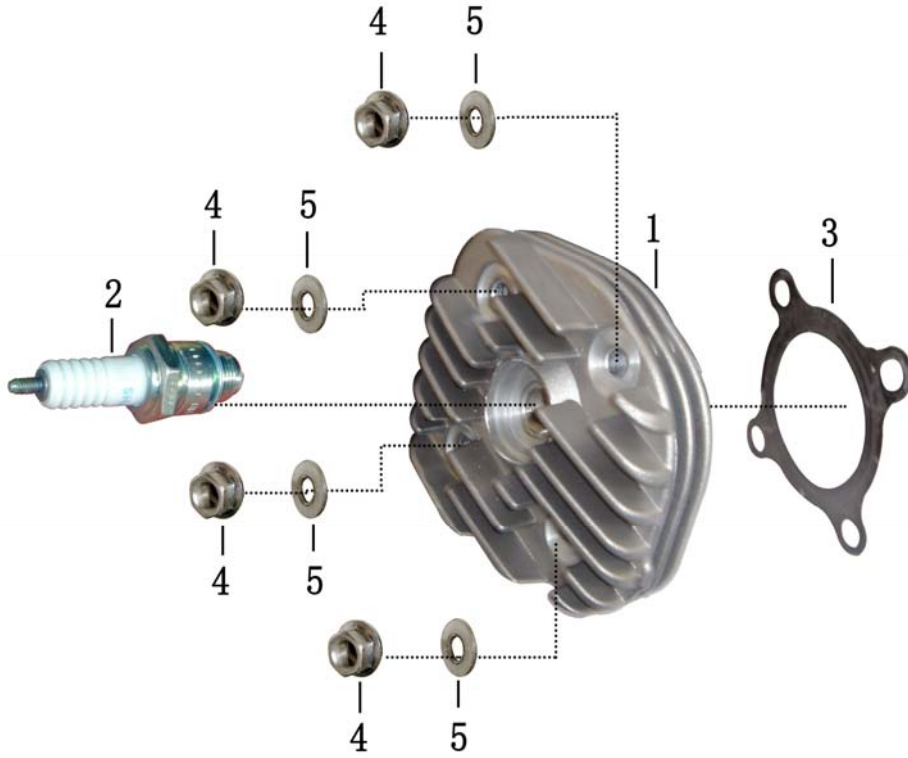
NO.	Part NO.	New NO.	Old NO.	Chinese Name	Description	QTY	特性	Feature	Price
1	31131001	[704160	704160	风扇叶轮 (二冲50CC)	Fan	1			
2	3112190202	[700186	700072	六角法兰面螺栓GB/T5787-M6×16	Screw, M6×16	3	白锌	white zinc	
3	31131002	[704161	704161	风扇罩	Cover, Fan	1			
4	3113190801	[700057	700057	自攻螺钉GB/T845-ST4. 8×40	Screw, Tapping ST4.8×40	1	黑色	Black	
5	3112190205	[700184	700073	六角法兰面螺栓GB/T5787-M6×22	Screw, M6×22	2	白锌	white zinc	
6	31131003	[704162	704162	导流罩	Shroud	1			
7	31131506	[704163	704163	导流罩橡胶块	Fixed plate (ruber)	2			
8	31131004	[704164	704164	风扇罩压条	Fixed plate of fan cover	1			
9	31131508	[704253		O型圈 $\phi 64 \times \phi 3$	Seal O-Ring $\phi 64 \times \phi 3$	1			

图2

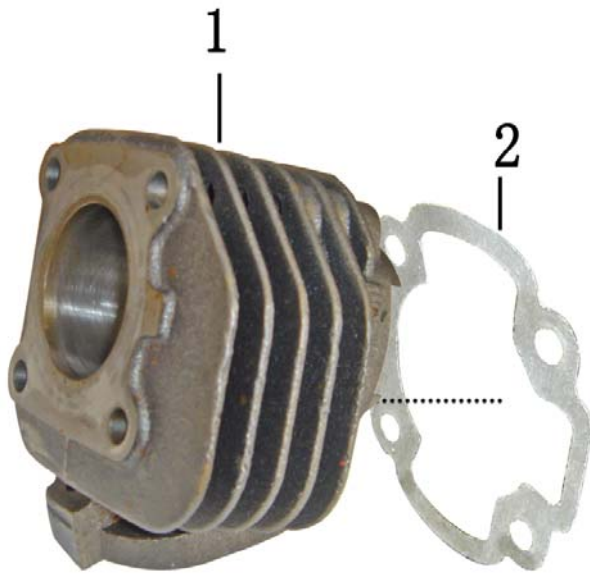
气缸头盖

Draft 2

CYLINDER HEAD COVER COMP



NO.	Part NO.	New NO.	Old NO.	Chinese Name	Description	QTY	特性	Feature	Price
1	31130105	[704165	704165	气缸头盖 (BJ05-02)	Cover, Cylinder Head, BJ05-02	1			
2	31130401	[704166	704166	火花塞 NGK (BPR7HS)	Spark Plug, NGK (BPR7HS)	1			
3	31131603	[704167	704167	气缸头盖垫片	Breather Plate	1			
4	3111190402	[703945	700099	六角法兰面螺母GB/T6177.1-M7	Flange Bolt, M7	4	白锌	white zinc	
5	31131814-2	[703975	700022	平垫圈GB/T95-φ14×φ7.2×1.5	Plain Washer, φ14×φ7.2×1.5	4	白锌	white zinc	



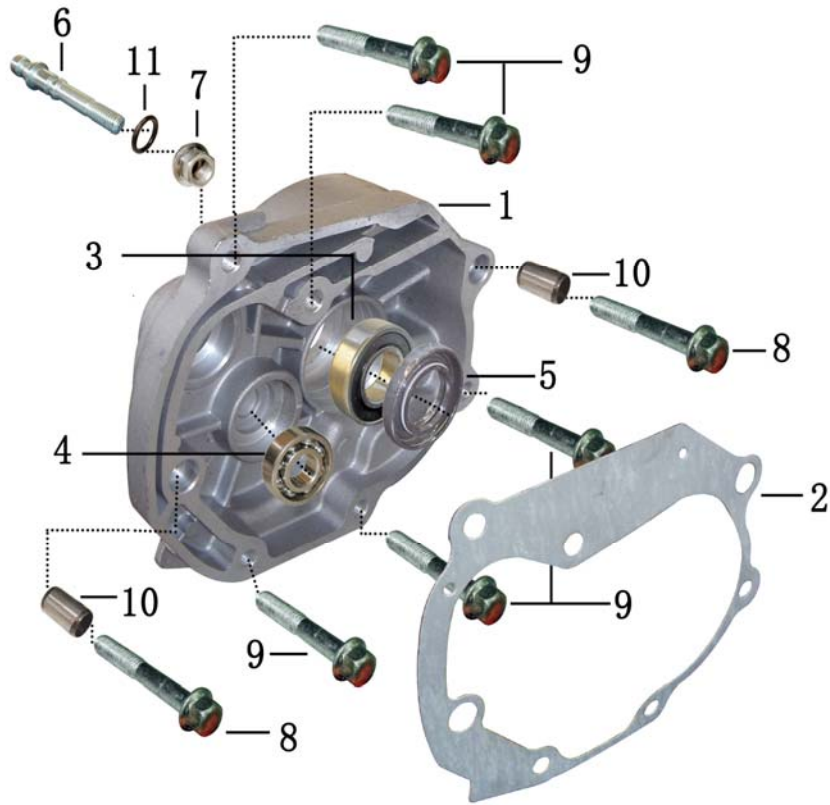
NO.	Part NO.	New NO.	Old NO.	Chinese Name	Description	QTY	特性	Feature	Price
1	31130201	[704168	704168	气缸体 (BJ05-03)	Cylinder, BJ05-03	1			
2	31131604	[704169	704169	气缸体纸垫	Paper Gasket, Cylinder	1			

图4

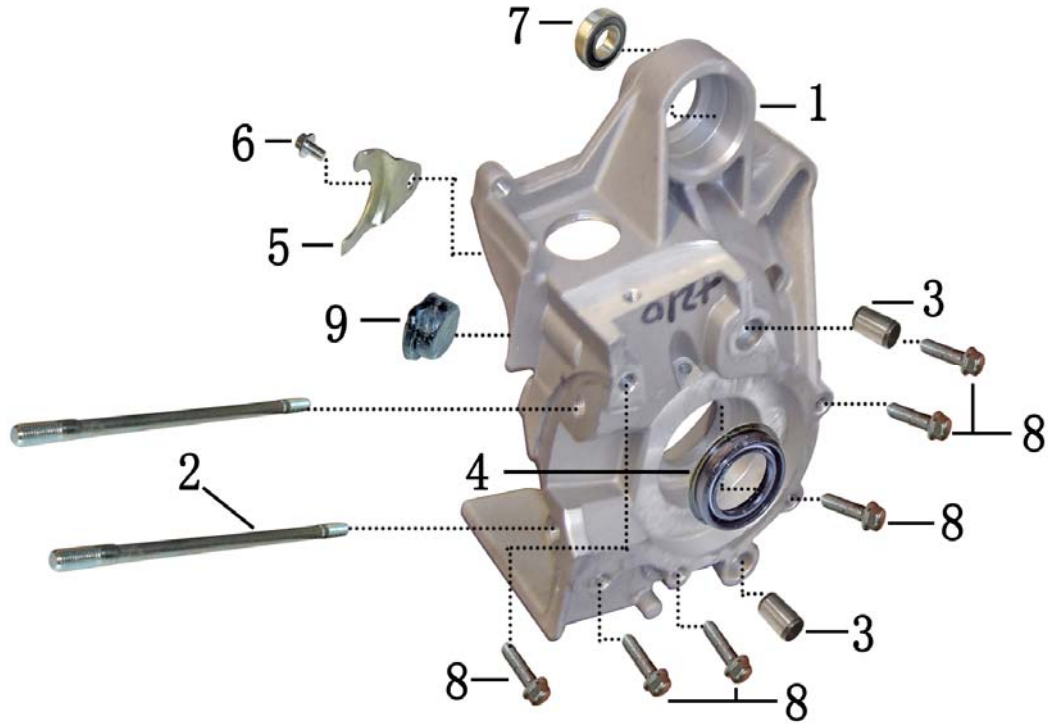
Draft 4

齿轮室

GEAR BOX



NO.	Part NO.	New NO.	Old NO.	Chinese Name	Description	QTY	特性	Feature	Price
1	31130103	[704170]	704170	齿轮室盖(毅刹)	Gear Box Cover	1			
2	31131601	[704171]	704171	齿轮室纸垫	Paper Gasket, Gear Box	1			
3	31121303	[700214]	700214	深沟球轴承GB/T276-6004-2RS	Bearing,6004-2RS	1			
4	31131304	[703972]	700215	深沟球轴承GB/T276-6200	Bearing, 6200	1			
5	31131404	[704172]	704172	油封(φ44×φ25×7)	Oil Seal, Gear Box Cap,	1			
6	3113191301	[704175]	704175	刹车销(二冲)	Rocker Arm, Rear Brake(2stroke)	1			
7	3112191101	[703914]	700098	六角法兰面锁紧螺母GB/T6187-M8	Flange Nut, M8	1	白锌	white zinc	
8	3113190304	[703968]	700175	六角法兰面螺栓GB/T5787-M8×55	Flange Bolt, M8×55	2	白锌	white zinc	
9	3113190305	[703967]	700176	六角法兰面螺栓GB/T5787-M8×50	Flange Bolt, M8×50	5	白锌	white zinc	
10	31131803-2	[704263]	704026	定位销(φ12×φ9.5×16)	Pin, Dowel,φ12×φ9.5×16	2			
11	31121503	[704449]		O型圈(φ7.5×φ1.5)	Seal O-Ring, φ7.5×1.5	1			



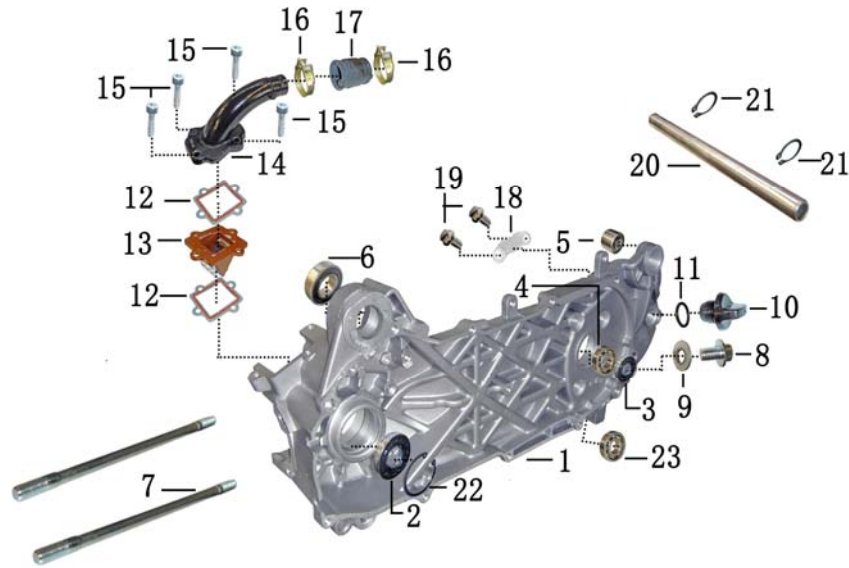
NO.	Part NO.	New NO.	Old NO.	Chinese Name	Description	QTY	特性	Feature	Price
1	31130102	[704176	704176	右箱体	Right Crankcase Assy	1			
2	3113190603	[704177	704177	双头螺栓 (M7×107)	Bolt, M7×107	2	白锌	white zinc	
3	31131803-1	[704263	704026	定位销 (φ12×φ9.5×16)	Pin, Dowel , φ12×φ9.5×16	2			
4	31131402	[704178	704178	油封 φ30/33.5×φ20×6	Seal of crank, φ30/33.5×φ20×6	1			
5	31131701	[704179	704179	油封压板	FIXED PLATE OF SEAL	1			
6	3112190301	[700188	700188	六角法兰面螺栓GB/T5787-M6×12	Flange Bolt, M6×12	1	白锌	white zinc	
7	31131302	[700215	700215	深沟球轴承GB/T276-6003-2RS	Bearing, 6003-2RS	1			
8	3112190304	[700181	700074	六角法兰面螺栓GB/T5787-M6×35	Screw, M6×35	6	白锌	white zinc	
9	3113010-1	[704281	704281	橡胶塞	Dust proof piug	1			

图6

Draft 6

左箱体

LEFT CRANKCASE COMP



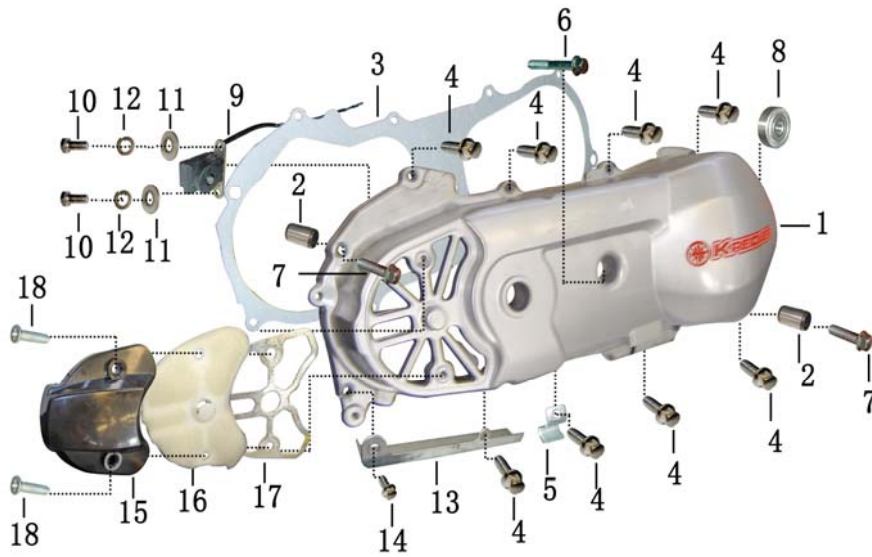
NO.	Part NO.	New NO.	Old NO.	Chinese Name	Description	QTY	特性	Feature	Price
1	31130101-1	[704180]	704180	左箱体	Left Crankcase	1			
2	31131403	[703977]	700004	油封(φ42×φ20×8)	Oil Seal, φ42×φ20×8	1			
3	31131401	[700005]	700005	油封(φ35×φ17×7)	Oil Seal, φ35×φ17×7	1			
4	311213305	[703971]	700209	深沟球轴承 GB/T276-6203	Bearing, 6203	1			
5	31120901	[704343]	704181	缓冲套(φ20×φ8.2×17)	Cushion Collar(φ20×φ8.2×17)	1			
6	31131302	[700215]	700215	深沟球轴承GB/T276-6003-2RS	Bearing, GB/T276-6003-2RS	1			
7	3113190603	[704177]	704177	双头螺栓 (M7×107)	Bolt, M7×107	2	白锌	white zinc	
8	3112190312	[703917]	700259	六角法兰面螺栓GB/T5789-M8×12	Flange Bolt, Filling Gear Oil, M8×12	1	白锌	white zinc	
9	31121805	[703918]	704182	平垫圈 (φ8×1.5)	Sealed Bush, φ8×1.5	1	铝		
10	31131101	[704183]	704183	注油螺栓	Flange Bolt, Draining Gear Oil,	1			
11	31131502	[704184]	704184	O型圈 (φ14×φ2.5)	Sealed Bush, φ14×φ2.5	1			
12	31131606	[704185]	704185	簧片阀纸垫	Papery Bush	2			
13	31130418	[704186]	704186	簧片阀	Spring Valve	1			
14	31130415-01	[704187]	704187	进气管 (BJ05-06)	Intake Tube, BJ05-06	1			
15	3113190202	[703969]	700219	内六角圆柱头螺栓GB/T70.1-M6×25	Inner Hex Bolt, M6×25	4	白锌	white zinc	
16	31130415-02	[704188]	704188	进气管卡箍φ(35-30mm)	Fixing Ring, φ(35-30mm)	2			
17	31130415-02	[704261]		进气管接头		1			
18	31131701	[704264]		轴承压板		1			
19	3112190301	[700188]		六角法兰面螺栓GB/T5787-M6×12	Flange Bolt, M6×12	2			
20	31130409-1	[704256]		吊架管φ17×256(光阳50)	JIGGER 50	1			
20A	31130409-2	[704272]		吊架管φ17×250(小帅哥50)	Hiker 50	1			
21	31130408	[703962]		弹性挡圈GB/T894-φ16	Pin, φ16	2			
22	31130411-1	[703965]		弹性挡圈GB/T893-φ44	Pin, φ44	1	黑色	Black	
23	31121304	[700210]		深沟球轴承 GB/T276-6202	Bearing, 6202	1			

图7

Draft 7

左盖

LEFT CRANKCASE COVER



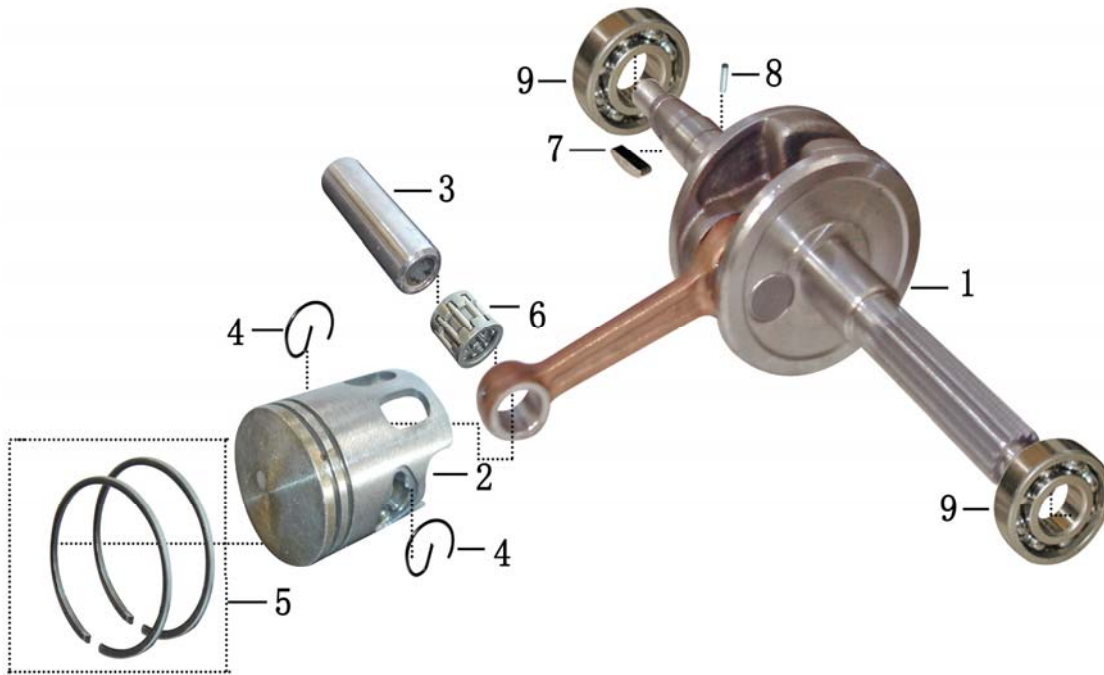
NO.	Part NO.	New NO.	Old NO.	Chinese Name	Description	QTY	特性	Feature	Price
1	31130106-1	[704189	704189	左侧盖	Left Crankcase Cover	1			
2	31131802-2	[704264	704026	定位销(φ8.5×φ10×14)	Pin, Dowel φ18.5×φ10×14	2			
3	31131602-1	[704190	704190	左侧盖纸垫	Gasket, L. Crankcase Cover	1			
4	3112190206	[700183	700075	六角法兰面螺栓GB/T5787-M6×25	Screw, M6×25	8	白锌	white zinc	
5	3113190301	[704191	704191	刹车导线夹	Clip, Brake Hose/Cable	1			
6	3112190307	[703921	700074	六角法兰面螺栓GB/T5787-M6×65	Screw, M6×65	1	白锌	white zinc	
7	3112190303	[703909	700074	六角法兰面螺栓GB/T5787-M6×32	Screw, M6×32	2	白锌	white zinc	
8	31131301	[700202	700260	深沟球轴承GB/T276-638Z	Bearing, 638Z	1			
9	31210805-07	[700250	700250	触发器	trigger	1			
10	3111191005	[703875	700191	十字盘头螺栓GB/T818-M5×12	Bolt, M5×12	2	彩锌	Color zinc	
11	3111191006	[703956		弹簧垫圈 GB/T93-φ5	Spring Washer, φ5	2	黑色	Black	
12	3111191007	[703954		平垫圈(φ10×φ5×1)	Plain Washer, φ10×φ5×1	2	白锌	white zinc	
13	31131706	[704266		主支架制止板	Retrain Plate, Main Stand	1			
14	3112190301	[700188		六角法兰面螺栓GB/T5787-M6×12	Screw, M6×12	1	白锌	white zinc	
15	31130110-3	[704257		进风口盖		1			
16	31130106-2	[704259		进风口海绵		1			
17	31131705	[704260		海绵挡板		1			
18	3113190602	[703966		十字沉头螺栓GB/T819.1-M6×22	Screw, M6×22	2	白锌	white zinc	

图8

活塞连杆曲轴

Draft 8

PISTON, CONNECTING ROD AND CRANKSHAFT COMP



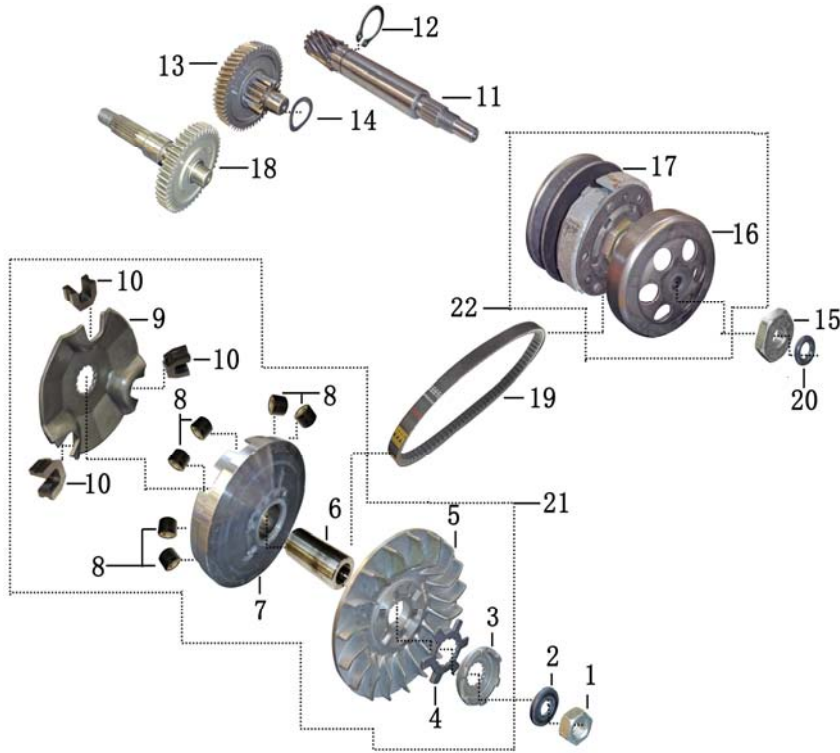
NO.	Part NO.	New NO.	Old NO.	Chinese Name	Description	QTY	特性	Feature	Price
1	31130801	[704192	704192	曲轴	Crankshaft & Connecting Rod Comp	1			
2	31130202	[704193	704193	活塞 (φ40)	Piston, φ40	1			
3	31130204	[704194	704194	活塞销 (φ10×33)	Pin, Piston φ, 10×33	1			
4	31130205	[704195	704195	活塞销卡簧 φ11.5(1mm)	Circlip, Piston Pin, φ11.5(1mm)	2			
5	31130203	[704196	704196	活塞环 (套)	Steel Ring (1st Ring), Piston	1			
6	31131308	[704197	704197	滚针轴承 (K101413)	Bearing, K101413	1			
7	3113191501	[704198	704198	半圆键 (3×12×5)	Semi-circle Key, 3×12×5	1			
8	31131804	[704199	704199	曲柄销 (3×13)	Pin of Crank, 3×13	1			
9	31121306	[700208	700208	深沟球轴承GB/T276-6204	Bearing, 6204	2			

图9

Draft 9

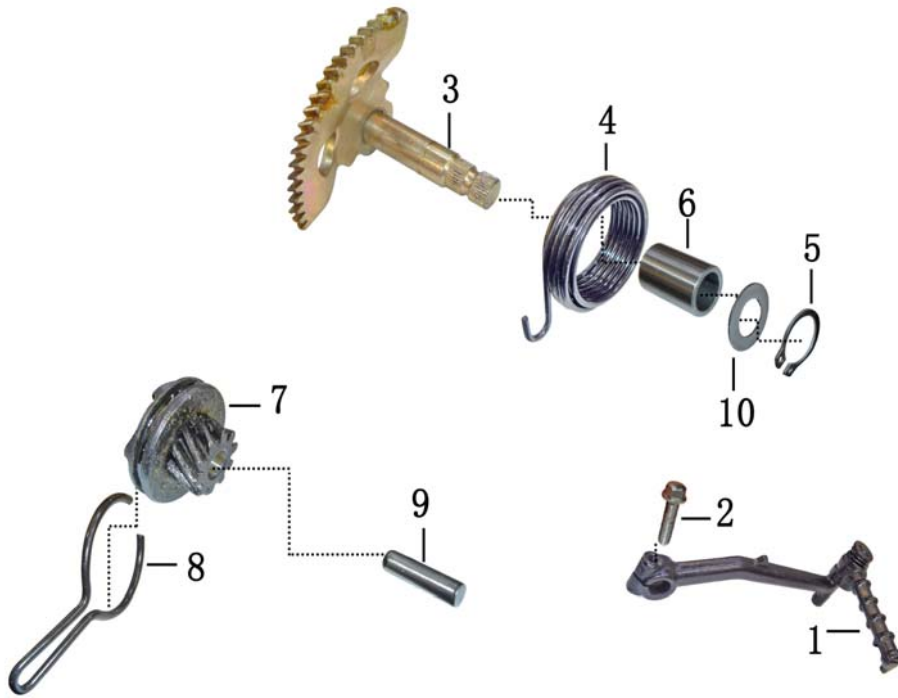
CVT

CVT



NO.	Part NO.	New NO.	Old NO.	Chinese Name	Description	QTY	特性	Feature	Price
1	3113190101	[703974]	700266	六角螺母 (GB/T6170-M10)	Nut ,M10	1	白锌	white zinc	
2	31131801	[704200]	704200	锥型垫圈 ($\phi 24 \times \phi 10 \times 2.5$)	Undee Bush, $\phi 24 \times \phi 10 \times 2.5$	1	黑色	Black	
3	31130504	[704201]	704201	脚起动从动齿轮	Gear	1			
4	31131814-3	[704202]	704202	花键垫圈	Bearing	1			
5	31230501-01	[704203]	704203	主动轮风叶 ($\phi 95$)	Impeller, Primary Driving System, $\phi 95$	1			
6	31230601-02	[704204]	704204	衬套 ($\phi 21 \times \phi 16 \times 39.2$)	Collar, $\phi 21 \times \phi 16 \times 39.2$	1			
7	31230501-02	[704205]	704205	主动轮盘	Primary Driving System	1			
8	31230501-03	[704206]	704206	变速滚珠 ($\phi 15 \times 12 - 6.5g$)	Roll Rod, Speed Shift, $\phi 15 \times 12 - 6.5g$	6			
9	31230501-04	[704207]	704207	变速盘	Speed Shift Tray	1			
10	31230502-18	[704208]	704208	主动轮缓冲块 (二冲)	Cushion Rubber	3			
11	31130304	[704209]	704209	驱动轴齿轮 (13T)	Driven Mainshaft, 13T	1			
12	31230502-22	[703963]	704210	弹性挡圈 GB/T894- $\phi 16.5$	Pin $\phi 16.5$	1	黑色	Black	
13	31130303	[704211]	704211	副轴组齿轮 (13T/52T)	Center Gear, 13T/52T	1			
14	31131810	[704212]	704212	波型垫圈 $\phi 20 \times \phi 14.2 \times 0.5$	Undee Bush, $\phi 20 \times \phi 14.2 \times 0.5$	1	黑色	Black	
15	31131402	[704213]	704213	六角螺母 M10 (对角22mm)	Nut M10 (22mm)	1	白锌	white zinc	
16	31230502-09	[704215]	704215	从动轮盖 (带凸台)	Subordinate Driven Cover, (yikelun $\phi 136.5$)	1			
17	31130502-1	[704216]	704216	从动轮	Subordinate Driven System	1			
18	31130301-2	[704217]	704217	最终轴 (L=141mm)	Final Shaft, L=141mm	1			
19	31130503-1	[704219]	704219	皮带 (788 \times 18.1mm)	Belt, CVT (788 \times 18.1mm)	1			
20	31131503	[704254]		O型圈 ($\phi 7 \times 2.8 \phi$)	Seal O-Ring, $\phi 7 \times \phi 2.8$	1			
21	31130501	[704265]		主动轮总成 ($\phi 95$)	Primary Driving System Comp ($\phi 95$)	1			
22	31130502	[704255]		从动轮总成 ($\phi 120$)	Subordinate Driven System Comp ($\phi 120$)	1			

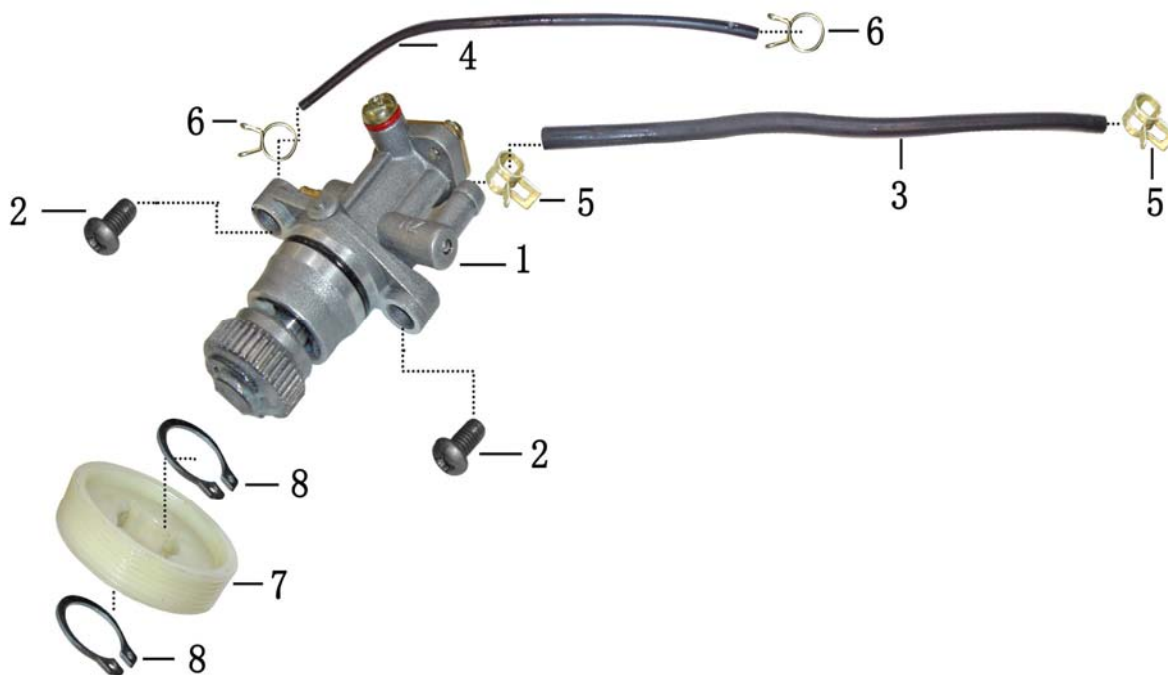
图10
Draft 10



NO.	Part NO.	New NO.	Old NO.	Chinese Name	Description	QTY	特性	Feature	Price
1	31130603	[704220]	704220	启动杆	Kick Start Pedal	1			
2	3112190206	[700183]	700219	六角法兰面螺栓GB/T5787-M6×25	Inner Hex Bolt, M6×25	1	白锌	white zinc	
3	31130601	[704221]	704221	启动轴 (21T)	Kick Start Spindle Assy, 21T	1			
4	31130405	[704222]	704222	启动回位弹簧	Spring, Kick Return	1			
5	31130410	[703961]	704210	弹性挡圈GB/T894-φ15	Pin φ15	1	黑色	Black	
6	31230601-01	[704223]	704223	衬套 (φ20×φ15×30)	Collar, φ20×φ15×30	1			
7	31130602	[704224]	704224	惰性齿轮 (10T)	Starter Idle Gear, 10T	1			
8	31130406	[704225]	704225	启动摩擦弹簧	Friction Spring, Starter Idle Gear	1			
9	31131812-2	[704226]	704226	齿轮定位销 (φ8×31)	Pin of Idle Gear (φ8×31)	1			
10	31131805	[703976]		平垫圈 (φ29×φ15.5×1)	Plain Washer, φ29×φ15.5×1	1	黑色	Black	

图11
Draft 11

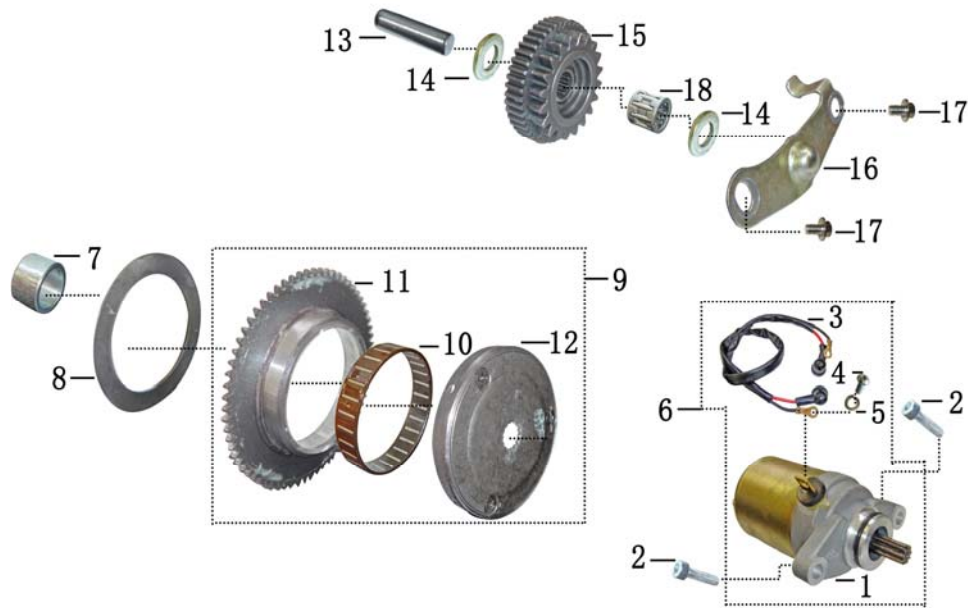
机油泵
OIL PUMP COMP



NO.	Part NO.	New NO.	Old NO.	Chinese Name	Description	QTY	特性	Feature	Price
1	31131201	[704227	704227	机油泵	Oil Pump	1			
2	3113190601	[703973	700065	十字盘头螺栓GB/T818-M5×16	Screw, M5×16	2	白锌	white zinc	
3	31130417	[704228	704228	进油管(φ9×φ5×950)	Fuel Pipe Intake ,φ9×φ5×950	1			
4	31130416	[704229	704229	出油管(φ5×φ2)	Fuel Pipe Outtake ,φ5×φ2	1			
5	31130403	[704231	704231	进油管卡箍(φ9)	Pin of Fuel Pipe Intake ,φ9	2			
6	31130404	[704233	704233	出油管卡箍 φ4.5 (0.7mm)	Sprocket, Oil Pump,φ4.5(0.7mm)	2			
7	31130902	[704234	704234	机油泵蜗轮	Turbine of Oil pump	1			
8	31130407	[703964	700022	弹性挡圈GB/T893-φ19	Pin, φ19	2	黑色	Black	

图12
Draft 12

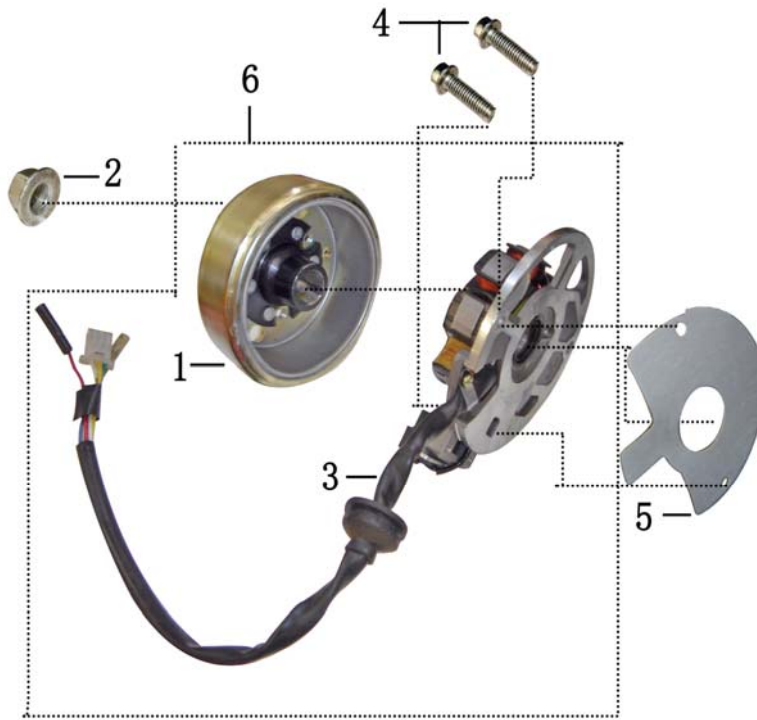
起动电机
STARTER MOTOR



NO.	Part NO.	New NO.	Old NO.	Chinese Name	Description	QTY	特性	Feature	Price
1	31130703	[704235	704235	起动电机(9T)	Start Motor	1			
2	3113190201	[703970	700219	内六角圆柱头螺栓GB/T70.1-M6×22	Inner Hex Bolt, M6×22	2	白锌	white zinc	
3	31230702-02	[704236	704236	起动电机正极线	Positive Cable, Start Motor	1			
4	31220702-05	[703935	700058	十字盘头螺栓GB/T818-M4×8	Nut, M4×8	1	彩锌	Color zinc	
5	31220602-3	[700013	700013	弹簧垫圈GB/T93-φ4	Spring Washer, φ4	1	彩锌	Color zinc	
6	31130703	[704262		启动电机总成	Start Motor Assy	1			
7	31131811	[704238	704238	衬套(φ21×φ16×13)	Collar, φ21×φ16×13	1			
8	31131808	[704239	704239	平垫圈(φ76×φ56×0.5)	Steel Bush, φ76×φ56×0.5	1	钢	Steel	
9	31130102-1	[704240	704240	超越离合器组件	Clutch Assy	1			
10	31230501-01	[704241	704241	超越离合器滚针轴承	Bearing of Clutch	1			
11	31230501-02	[704242	704242	超越离合器齿轮(68T)	Upper of Clutch(68T)	1			
12	31230501-03	[704243	704243	超越离合器下体	Bottom of Clutch	1			
13	31131812-2	[704226	704244	齿轮定位销(φ8×31)	Pin of Idle Gear, φ8×31	1			
14	31131809	[700022	700022	平垫片(φ16×φ8.5×2)	Plain Washer, φ16×φ8.5×2	2	白锌	white zinc	
15	31130701	[704245	704245	减速齿轮20T/46T	Idle Gear	1			
16	31131702	[704246	704246	过渡齿轮压板	Fixed Plate of Idel Gear	1			
17	3112190301	[700188	700071	六角法兰面螺栓GB/T5787-M6×12	Screw, M6×12	2	白锌	white zinc	
18	31131309	[704258		滚针轴承(HK0810)	Needle Roller Bearings(HK0810)	1			

图13
Draft 13

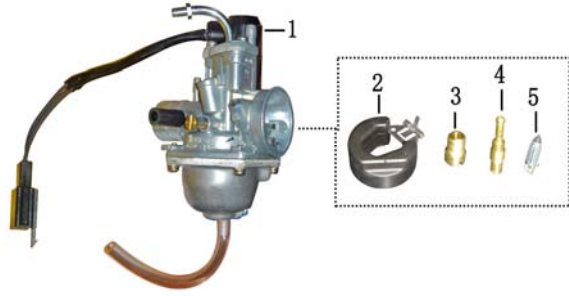
磁电机
GENERATOR



NO.	Part NO.	New NO.	Old NO.	Chinese Name	Description	QTY	特性	Feature	Price
1	31230805-01	[704247	704247	磁电机飞轮	Generator Assy	1			
2	3112191003	[703924	700103	六角法兰面螺母GB/T6177.1-M12 (11mm)	Flange Nut, M12(11mm)	1	白锌	white zinc	
3	31230805-02	[704248	704248	磁电机线圈	Magneto Coil, (Stator)	1			
4	3112190204	[700185	700192	六角法兰面螺栓GB/T5787-M6×20	Flange Bolt, M6×20	2	白锌	white zinc	
5	31131605	[704263		纸垫		1			
6	31130802	[704267		磁电机总成		1			

图15
Draft 15

化油器
Carburetor Assy



NO.	Part NO.	New NO.	Old NO.	Chinese Name	Description	QTY	特性	Feature	Price
1	31130413-1	[704249	704249	化油器	Carburetor Assy	1			
2	31230412-14	[704268		浮子	Floater	1			
3	31230412-04	[704269		主量孔	Main fuel flux hole	1			
4	31230412-13	[704270		怠速量孔	Idle fuel flux hole	1			
5	31230412-15	[704271		油针	Needle	1			
6	33301	[704250	704250	发动机总成	Engine Assy	1			



Company Brief

浙江永源摩托车制造有限公司

Zhejiang Jonway Motorcycle Manufacturing Co., Ltd.

地址: 318050 浙江省台州市路桥区路南后阮村

Address: 318050 Houruan Village, Luqiao District, Taizhou City,
Zhejiang Province, China

网址/Website: www.jonway.com

邮箱/E-mail: GROUP@jonway.com

电话/TEL: 0086-576-82555888

传真/FAX: 0086-576-82555888