

DIAMO® VELOCITY 50cc ENGINE

PARTS CATALOG

First Edition January 2008





Copyright © 2004-2008 LS MotorSports, LLC. Reproduction without written permission is completely forbidden.

The information and diagrams included in this catalog are the exclusive property of LS MotorSports, LLC and may not be reproduced in any media without the express written consent of LS MotorSports, LLC.

For more information contact:


LS MotorSports, LLC
12505 Reed Rd, Suite 145
Sugar Land, TX 77478
281-277-6140

Information contained in this publication is subject to change without notice.

For the most up to date information please contact DIAMO USA or an Authorized Dealer



www.DIAMOUSA.com



Copyright © 2004-2008 LS MotorSports, LLC. Reproduction without written permission is completely forbidden.

CONTENTS

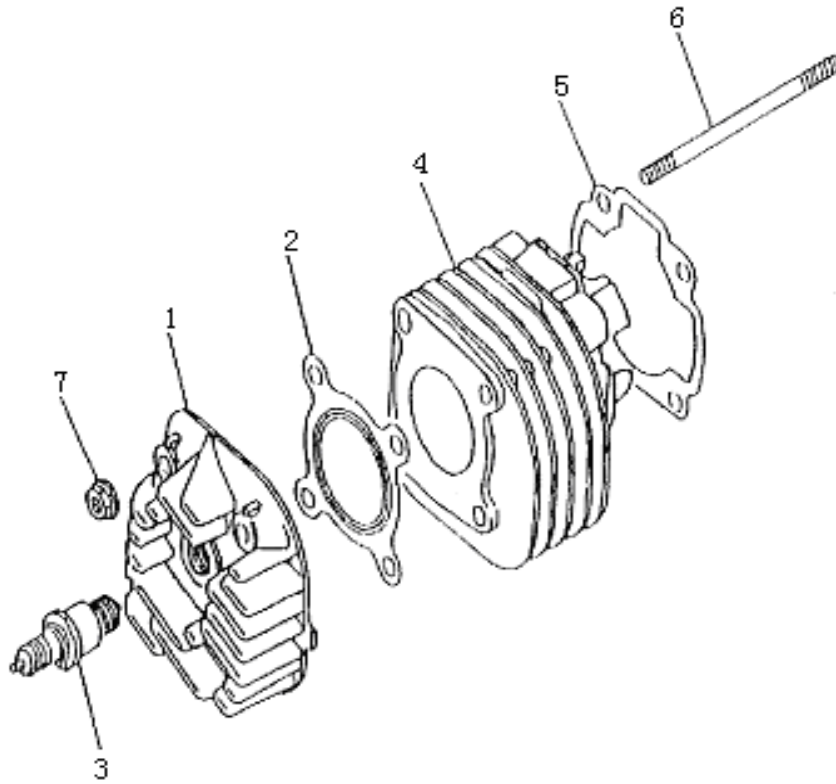
PAGE

4
5
6
7
8
9
10
11
12
13
14
15

TITLE

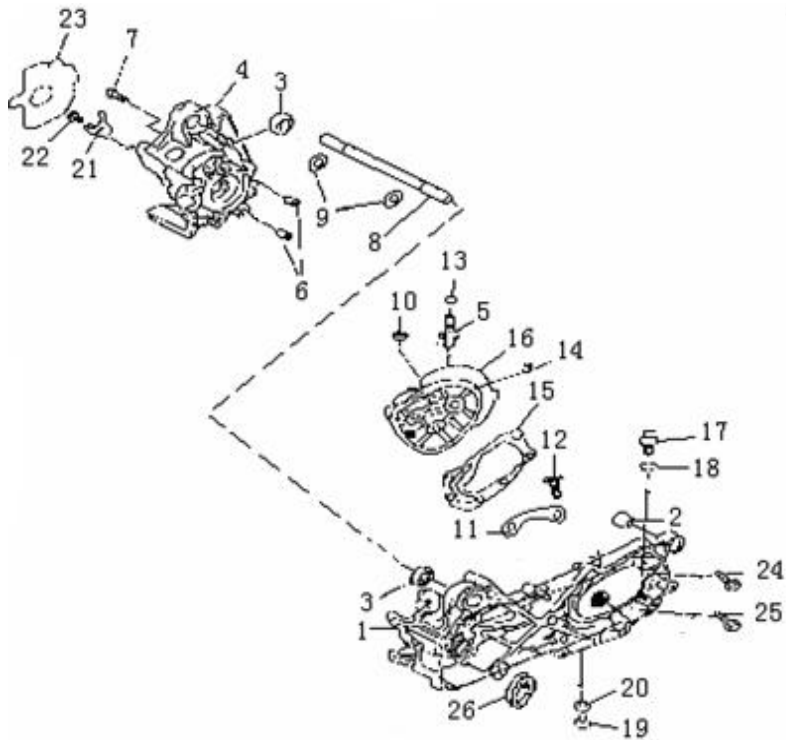
CYLINDER AND HEAD
CRANKCASE
LEFT CRANKCASE COVER
PISTON CRANKSHAFT CONNECTING ROD
OIL PUMP
AIR COOLING SYSTEM
STARTER
CLUTCH
TRANSMISSION
REED VALVE AND INTAKE
MAGNETO
CARBURETOR

Fig. 01 Cylinder and Head Assy



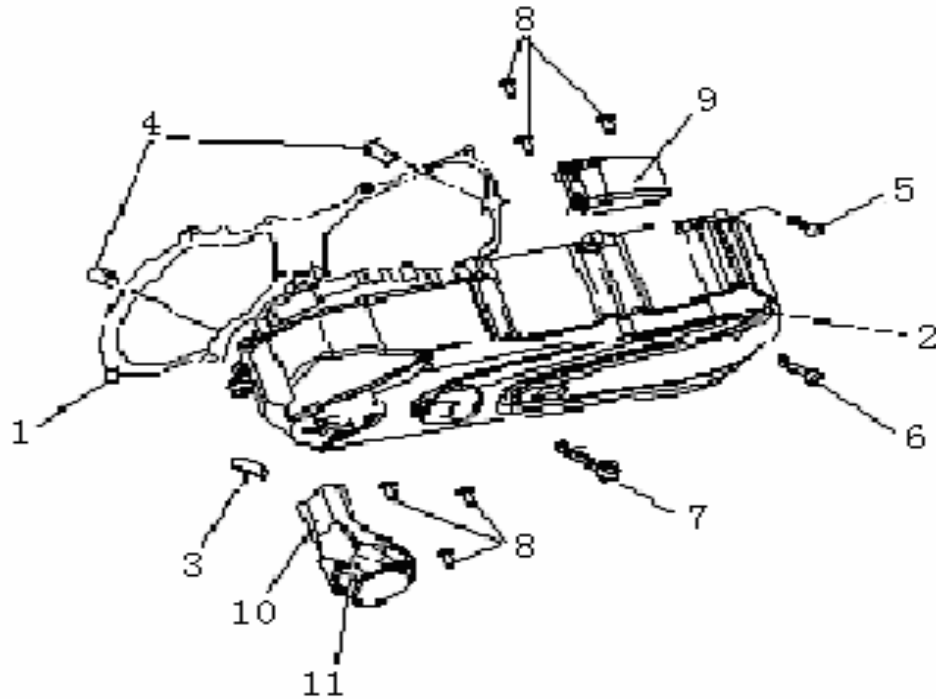
Ref	Code	Part Number	Description	Qty
1	201200.066000	07-020-0101	HEAD, CYLINDER	1
2	30507B01F000	07-020-0102	GASKET, CYLINDER HEAD	1
3	201204.015000	07-020-0103	SPARK PLUG	1
4	204200.041000	07-020-0104	CYLINDER	1
5	204204.001000	07-020-0105	GASKET, CYLINDER	1
6	26107B01F910	07-020-0106	STUD BOLT	4
7	304290700063	07-020-0107	NUT	4

Fig. 02 Crankcase



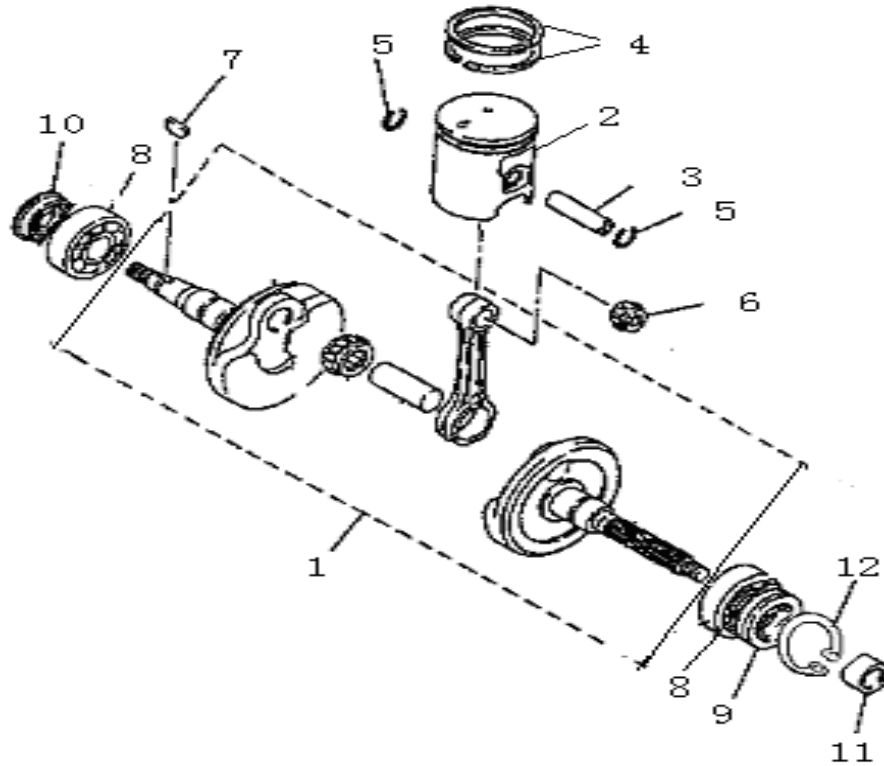
Ref	Code	Part Number	Description	Qty
1	206200.057000	07-020-0201	CRANKCASE,LH	1
2	26108G02F000	07-020-0202	BUSH,ENGINE MOUNTING	1
3	B12016600300	07-020-0203	BEARING	2
4	26211B09F001	07-020-0204	CRANKCASE,RH	1
5	26142G02F000	07-020-0205	BRAKE SHOE	1
6	26123G02F000	07-020-0206	DOWEL PIN	2
7	301310603565	07-020-0207	PAN HEAD SCREW	6
8	26109B09F000	07-020-0208	BOLT, ENGINE MOUNT	1
9	B08010001700	07-020-0209	CIRCLIP	2
10	B04070812553	07-020-0210	NUT	1
11	26214B09F000	07-020-0211	BEARING HOLDER	1
12	B02000601262	07-020-0212	PAN HEAD SCREW	2
13	14222J01F000	07-020-0213	O-RING	1
14	26123G02F000	07-020-0214	DOWEL PIN	2
15	214201.004000	07-020-0215	GASKET, GEAR BOX COVER	1
16	18101B09F000	07-020-0216	COVER, GEAR BOX	1
17	206407.004081	07-020-0217	OIL FILL PLUG	1
18	26102G02F000	07-020-0218	O RING	1
19	301310801605	07-020-0219	FLANGE BOLT	1
20	18105H03F000	07-020-0220	PLATE WASHER	1
21	26214G02F910	07-020-0221	OIL SEAL HOLDER	1
22	301310601263	07-020-0222	PAN HEAD SCREW	1
23	206321.001000	07-020-0223	GASKET	1
24	301310805565	07-020-0224	SCREW M8X55	2
25	301310805065	07-020-0225	SCREW M8X50	5
26	207234.001000	07-020-0226	BUSH	1

Fig. 03 Left Crankcase Cover



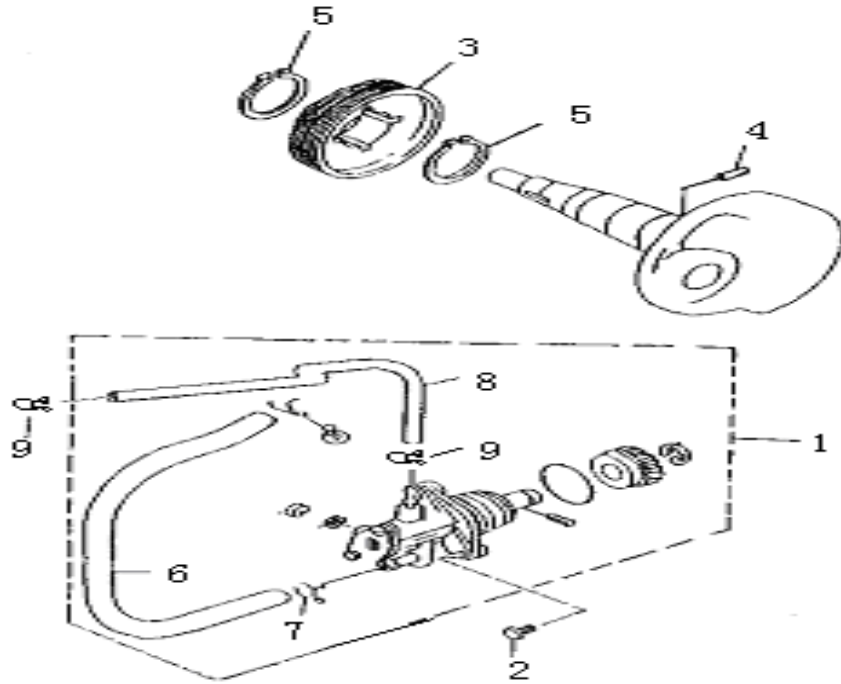
Ref	Code	Part Number	Description	Qty
1	207208.017000	07-020-0301	GASKET,L CRANKCASE COVER	1
2	207200.120082	07-020-0302	L CRANKCASE COVER	1
3	26128G02F000	07-020-0303	IDLE GEAR	1
4	26208J01F000	07-020-0304	DOWEL PIN	2
5	301310602565	07-020-0305	PAN HEAD SCREW M6X25	8
6	301310603565	07-020-0306	PAN HEAD SCREW M6X35	1
7	301310606565	07-020-0307	PAN HEAD SCREW M6X65	1
8	3052035014F5	07-020-0308	SCREW ST3.5X14	6
9	14149B09F000	07-020-0309	AIR DUCT-OUTLET	1
10	14148B09F000	07-020-0310	AIR DUCT-INLET	1
11	14150B09F000	07-020-0311	FILTER ASSY	1

Fig. 04 Piston Crankshaft Connecting Rod



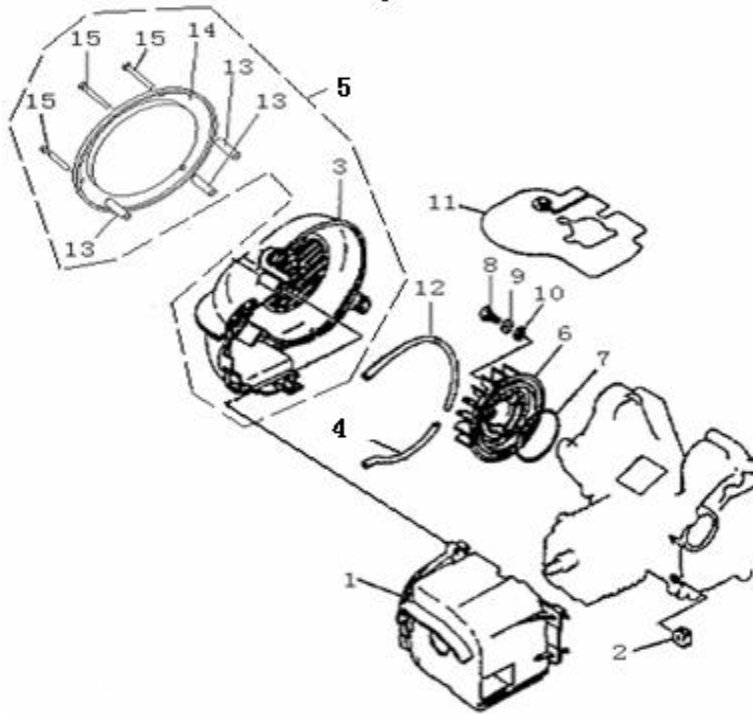
Ref	Code	Part Number	Description	Qty
1	208100.022000	07-020-0401	CRANKSHAFT ASSY	1
2	15100B09F000	07-020-0402	PISTON ASSY	1
3	15105B16F000	07-020-0403	PISTON PIN	1
4	15103B09F000	07-020-0404	PISTON RING ASSY	2
5	15111G02F000	07-020-0405	CIRCLIP	2
6	15110B16F000	07-020-0406	NEEDLE BEARING	1
7	15101B01F000	07-020-0407	WOODRUFF KEY	1
8	B12016620453	07-020-0408	BEARING	2
9	15213G02F000	07-020-0409	OIL SEAL	1
10	26215G02F000	07-020-0410	OIL SEAL	1
11	15214G02F000	07-020-0411	COLLAR	1
12	17308G02F000	07-020-0412	CIRCLIP	1

Fig. 05 Oil Pump



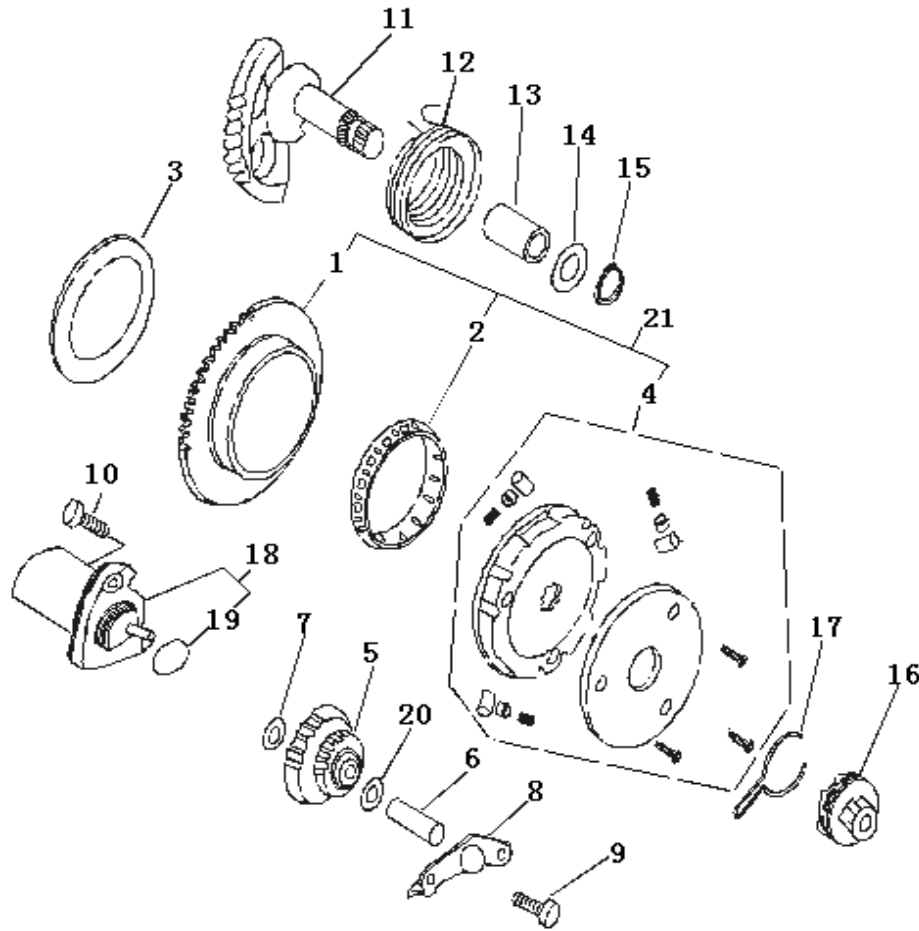
Ref	Code	Part Number	Description	Qty
1	219101.008000	07-020-0501	OIL PUMP ASSY	1
2	B02000501463	07-020-0502	SCREW	2
3	15211G02F000	07-020-0503	PUMP DRIVE GEAR	1
4	B090103014C0	07-020-0504	PIN	1
5	15106G02F910	07-020-0505	CIRCLIP	2
6	221405.100000	07-020-0506	HOSE,OIL INLET	1
7	19213G02F00A	07-020-0507	HOSE CLIP	2
8	221405.101000	07-020-0508	HOSE,OIL OUTLET	1
9	19217G02F00A	07-020-0509	HOSE CLIP	2

Fig. 06 Air Cooling System



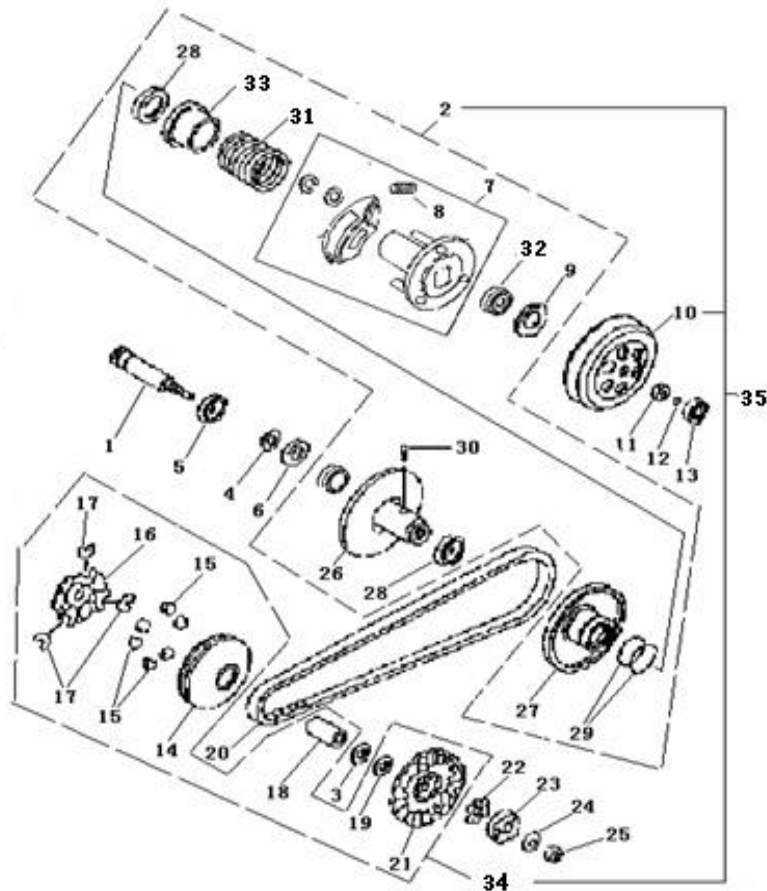
Ref	Code	Part Number	Description	Qty
1	20301B01F000	07-020-0601	COWLING,CYLINDER	1
2	20303G02F000	07-020-0602	GROMMET	2
3	20201B09F000	07-020-0603	COVER, COOLING FAN	1
4	20208G02F000	07-020-0604	SEAL 1,COWLING	1
5	222103.014000	07-020-0605	COVER ASSY, COOLING ASSY	1
6	20401B01F000	07-020-0606	FAN ASSY	1
7	20402G02F000	07-020-0607	RUBBER RING	1
8	B02000601663	07-020-0608	SCREW	3
9	B07000000600	07-020-0609	SPRING WASHER	3
10	B07030000600	07-020-0610	WASHER	3
11	20102G02F000	07-020-0611	PLATE	1
12	20206G02F000	07-020-0612	SEAL 2,COWLING	1
13	20208B09F000	07-020-0613	COLLAR	3
14	222304.101000	07-020-0614	COVER	1
15	B02000403524	07-020-0615	SCREW	3

Fig. 07 Starter



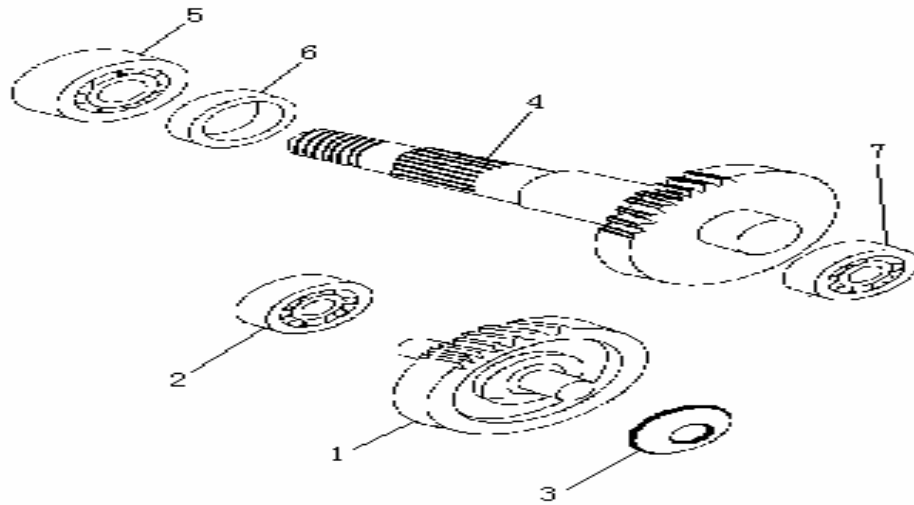
Ref	Code	Part Number	Description	Qty
1	34120G02F000	07-020-0701	STARTER GEAR	1
2	34121G02F000	07-020-0702	NEEDLE BEARING	1
3	34123G02F000	07-020-0703	THRUST WASHER	1
4	34110G02F00A	07-020-0704	CLUTCH, STARTER	1
5	34126G02F000	07-020-0705	DRIVEN GEAR, STARTER	1
6	26128G02F000	07-020-0706	IDLE GEAR SHAFT	1
7	34122G02F000	07-020-0707	PLATE WASHER	1
8	34125G02F000	07-020-0708	IDLE GEAR HOLDER	1
9	B02000601063	07-020-0709	SCREW	2
10	302040602065	07-020-0710	SCREW	2
11	216100.003000	07-020-0711	SHAFT, KICK STARTER	1
12	17407G02F000	07-020-0712	SPRING	1
13	216217.004000	07-020-0713	BUSH	1
14	307991005552	07-020-0714	WASHER, KICK STARTER	1
15	308090150003	07-020-0715	CIRCLIP	1
16	17415G02F000	07-020-0716	KICK STARTER PINION ASSY	1
17	17418G02F930	07-020-0717	CLIP	1
18	218100.017472	07-020-0718	STARTING MOTOR ASSY	1
19	B190102120B0	07-020-0719	O-RING	1
20	34130G02F000	07-020-0720	PLATE WASHER	1
21	217100.100000	07-020-0721	STARTER CLUTCH ASSY	1

Fig. 08 Clutch



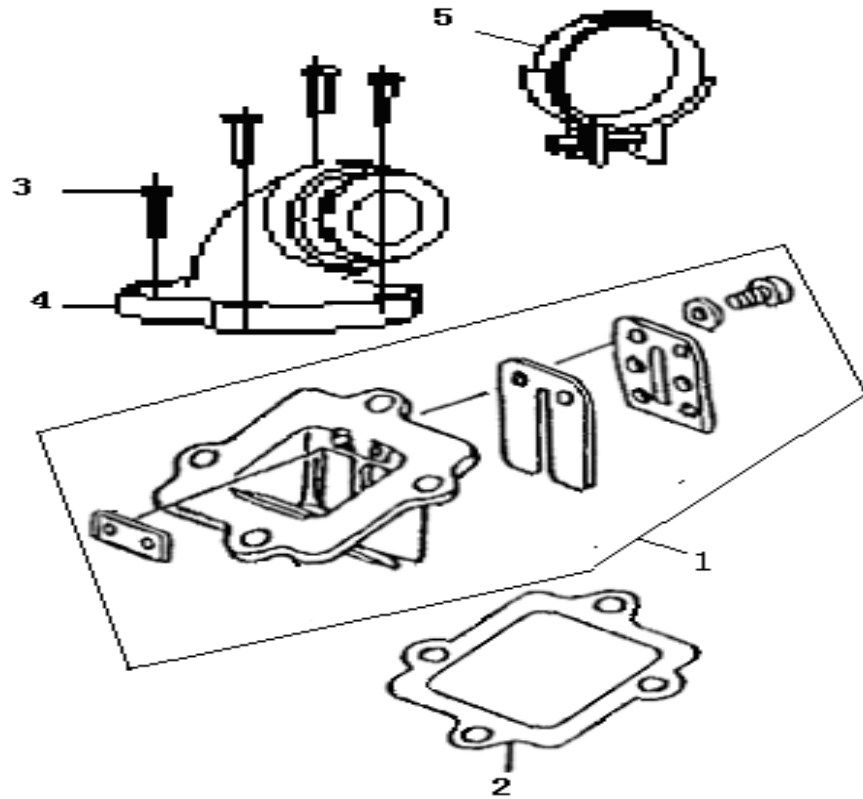
Ref	Code	Part Number	Description	Qty
1	24201B09F000	07-020-0801	PRIMARY DRIVE SHAFT	1
2	24200B01F000	07-020-0802	DRIVEN PULLEY AND CLUTCH ASSY	1
3	24106B09F00F	07-020-0803	WASHER	1
4	B08010001700	07-020-0804	CIRCLIP	1
5	B12016620300	07-020-0805	ROLLER BEARING 6203	1
6	24203B09F000	07-020-0806	OIL SEAL	1
7	24301B01F000	07-020-0807	CLUTCH ASSY SHOE	3
8	24302B01F000	07-020-0808	SPRING	3
9	24303G02F000	07-020-0809	NUT	1
10	24700G02F000	07-020-0810	HOUSING	1
11	24305G02F940	07-020-0811	NUT	1
12	24243G02F000	07-020-0812	O-RING	1
13	24209G02F000	07-020-0813	BEARING 638Z	1
14	24101B09F000	07-020-0814	FACE, FIXED PRIMARY DRIVE	1
15	213119.005000	07-020-0815	ROLLER	6
16	24103G02F000	07-020-0816	PLATE, PRIMARY DRIVE	1
17	24104G02F000	07-020-0817	DAMPER	3
18	24105G02F000	07-020-0818	COLLER	1
19	24106B01F000	07-020-0819	WASHER	1
20	24107B01F000	07-020-0820	V BELT	1
21	24108B09F000	07-020-0821	FACE, MOVEABE PRIMARY DRIVE	1
22	24109G02F000	07-020-0822	PLATE WOODRUFF KEY	1
23	213203.001161	07-020-0823	STARTING DISC	1
24	15112G02F010	07-020-0824	WASHER SPRING	1
25	B04031212553	07-020-0825	NUT	1
26	24204G02F000	07-020-0826	FACE, FIXED DRIVEN	1
27	24205G02F000	07-020-0827	FACE, MOVABLE DRIVEN	1
28	24206G02F000	07-020-0828	OIL SEAL	1
29	24207G02F000	07-020-0829	O-RING	2
30	24208G02F000	07-020-0830	PIN GUIDE	2
31	24308B01F000	07-020-0831	SPRING	1
32	24245G02F000	07-020-0832	ROLLER BEARING	1
33	24309G02F930	07-020-0833	SEAT SPRING	1
34	24100B09F000	07-020-0834	PRIMARY DRIVE ASSY	1
35	213100.022000	07-020-0835	NA	1

Fig. 09 Transmission



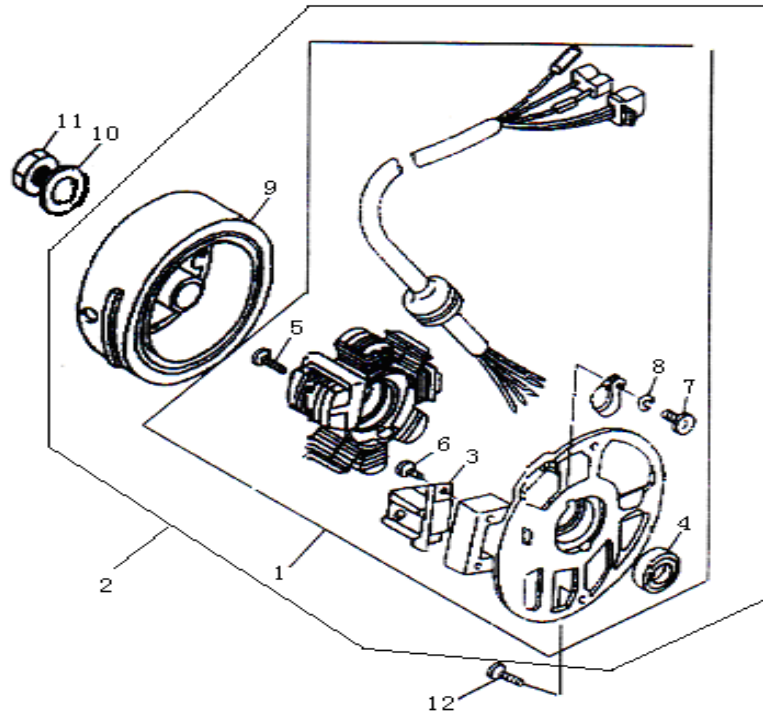
Ref	Code	Part Number	Description	Qty
1	17800B09F000	07-020-0901	SHAFT IDLE	1
2	B12016620000	07-020-0902	BEARING 6200	1
3	17732J01F000	07-020-0903	WASHER THRUST	1
4	17300B09F000	07-020-0904	SHAFT REAR BOX	1
5	B12016600400	07-020-0905	NEEDLE BEARING	1
6	17317B09F000	07-020-0906	OIL SEAL	1
7	B12016620200	07-020-0907	NEEDLE BEARING	1

Fig. 10 Reed Valve and Intake



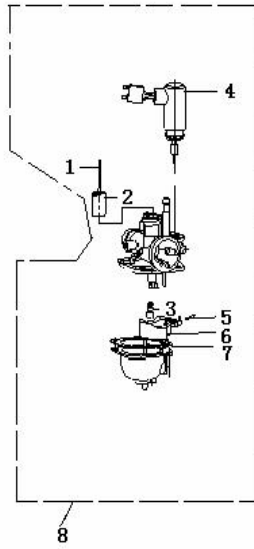
Ref	Code	Part Number	Description	Qty
1	32300G02F000	07-020-1001	REED VALVE ASSY	1
2	202306.002000	07-020-1002	GASKET, REED VALVE SEAT	1
3	302040602065	07-020-1003	SCREW	3
4	32200G02F000	07-020-1004	INTAKE MANIFOLD	1
5	202104.006472	07-020-1005	CLIP	1
6	206412.001472	07-020-1006	SCREW	1

Fig. 11 Magneto



Ref	Code	Part Number	Description	Qty
1	223102.104000	07-020-1101	STATOR ASSY	1
2	223100.101000	07-020-1102	MAGNETO ASSY	1
3	34330G02F000	07-020-1103	PULSE TRIGGER	1
4	34350G02F000	07-020-1104	OIL SEAL	1
5	B02000502522	07-020-1105	SCREW	2
6	B02000501262	07-020-1106	SCREW	2
7	B02000400622	07-020-1107	SCREW	1
8	B07000000400	07-020-1108	SPRING WASHER	1
9	223101.022000	07-020-1109	FLYWHEEL ASSY	1
10	B07030001200	07-020-1110	WASHER	1
11	15228H03F000	07-020-1111	NUT	1
12	B02270601664	07-020-1112	BOLT	2

Fig. 12 Carburetor



Ref	Code	Part Number	Description	Qty
1	32510B01F000	07-020-1201	NEEDLE, JET	1
2	32511B01F000	07-020-1202	VALVE, PISTON	1
3	224202.006000	07-020-1203	JET, MAIN	1
4	32612B01F000	07-020-1204	ENRICH VALVE	1
5	32619B01F000	07-020-1205	PIN, FLOAT	1
6	32620B01F000	07-020-1206	FLOAT	1
7	32701B01F000	07-020-1207	GASKET	1
8	224100.047000	07-020-1208	CARBURETOR ASSY	1