

# **DIAMO® VELOCITY 150 ENGINE**

## **PARTS CATALOG**

*First Edition January 2008*



---

Copyright © 2004-2008 LS MotorSports, LLC. Reproduction without written permission is completely forbidden.

*The information and diagrams included in this catalog are the exclusive property of LS MotorSports, LLC and may not be reproduced in any media without the express written consent of LS MotorSports, LLC.*

*For more information contact:*

LS MotorSports, LLC  
10215 S Sam Houston Pkwy W, Suite 100  
Houston, TX 77071  
281-277-6140

*Information contained in this publication is subject to change without notice.  
For the most up to date information please contact DIAMO USA or an Authorized Dealer*



[www.DIAMOUSA.com](http://www.DIAMOUSA.com)



Copyright © 2004-2008 LS MotorSports, LLC. Reproduction without written permission is completely forbidden.

**CONTENTS****PAGE**

4

5

6

7

8

9

10

11

12

13

14

15

16

17

18

19

20

21

**TITLE**

CYLINDER HEAD COVER ASSY

CYLINDER HEAD ASSY

AIR MIX DEVICE

AM CHAIN &amp; TENSIONER ASSY

CYLINDER ASSY

CRANKSHAFT &amp; CONNECTING ROD &amp; PISTON ASSY

CRANKCASE ASSY

OIL PUMP ASSY

CLUTCH ASSY

ELECTRIC STARTER ASSY

KICK STARTER ASSY

COVER LH ASSY

COVERCASE RH ASSY

COVER GEAR BOX ASSY

SHROUD ASSY

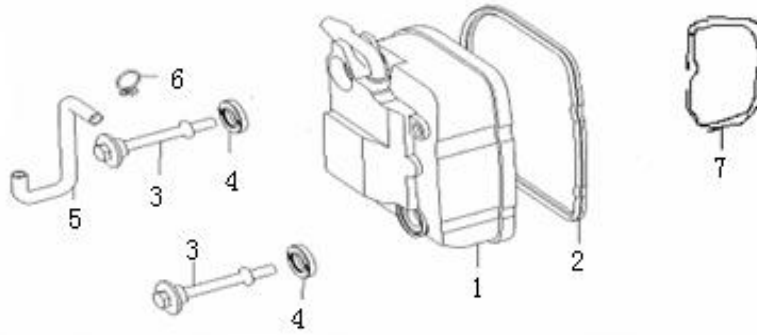
COVER FAN ASSY

MAGNETO ASSY

CARBURETOR ASSY

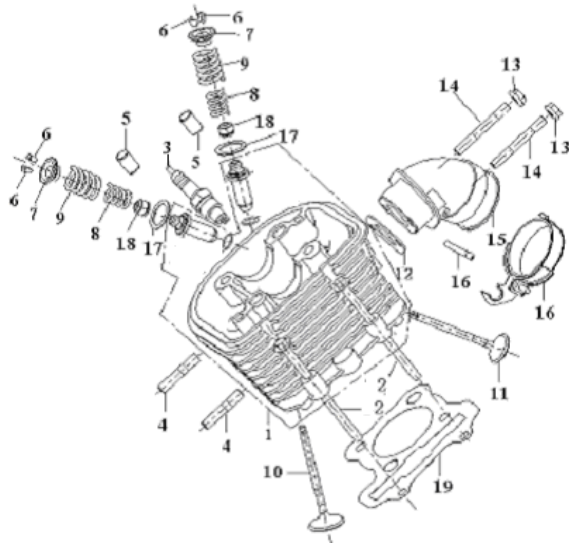


Fig. 01 Cylinder Head Cover



Ref	Code	Part Number	Description	Qty
1	30700J05F000	07-020150-0101	COVER ,CYLINDER HEAD	1
2	30704J05F000	07-020150-0102	GASKET, CYLINDER HEAD COVER	1
3	201313.005472	07-020150-0103	SCREW,CYLINDER HEAD COVER	2
4	30707J05F000	07-020150-0104	GASKET	2
5	201110.003000	07-020150-0105	HOSE,OIL	1
6	201227.002472	07-020150-0106	CLIP,HOSE	1
7	30718J05F000	07-020150-0107	SEAL, RUBBER	1

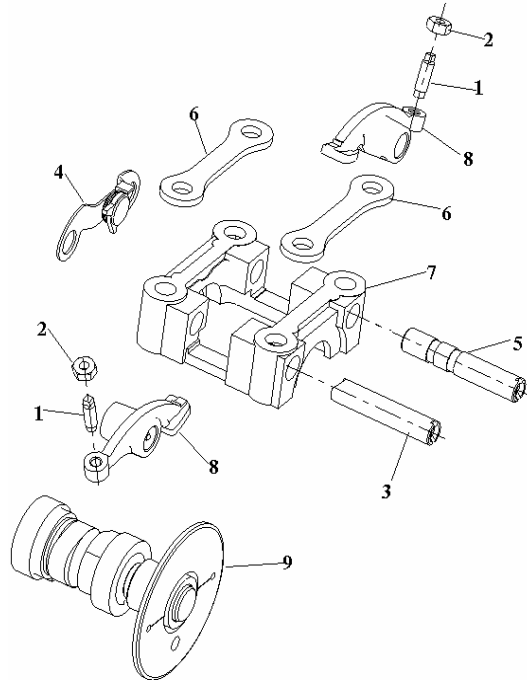
Fig. 02 Cylinder Head



Ref	Code	Part Number	Description	Qty
1	30500K03F000	07-020150-0201	CYLINDER HEAD	1
2	30504H03F000	07-020150-0202	BOLT	2
3	201204.014000	07-020150-0203	SPARK PLUG	1
4	201216.005472	07-020150-0204	STUD BOLT, EXHAUST	2
5	14107J05F000	07-020150-0205	PIN DOWEL	2
6	30108J05F000	07-020150-0206	COTTER, VALVE	4
7	30106J05F930	07-020150-0207	UPPER SEAT, VALVE SPRING	2
8	30102J05F930	07-020150-0208	SPRING, INNER	2
9	30101J05F930	07-020150-0209	SPRING, OUTER	2
10	30201J05F000	07-020150-0210	EXHAUST VALVE	1
11	30103J05F000	07-020150-0211	INTAKE VALVE	1
12	30112J05F000	07-020150-0212	GASKET, INSULATOR	1
13	304290600065	07-020150-0213	NUT	2
14	201216.006472	07-020150-0214	STUD BOLT, INTAKE	2
15	202100.001000	07-020150-0215	INSULATOR, CARBURETOR	1
16	202104.002472	07-020150-0216	CLAMP	1
17	30105J05F000	07-020150-0217	SEAT, SPRING	1
18	30205H03F000	07-020150-0218	OIL SEAL	2
19	30506K03F000	07-020150-0219	GASKET, CYLINDER HEAD	1

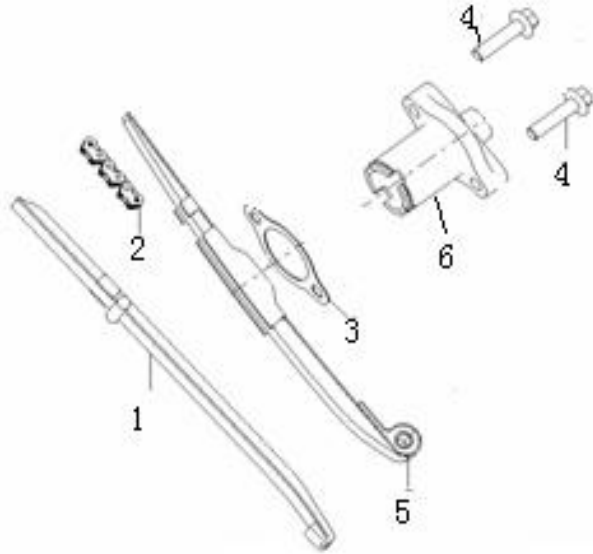


Fig. 03 Camshaft



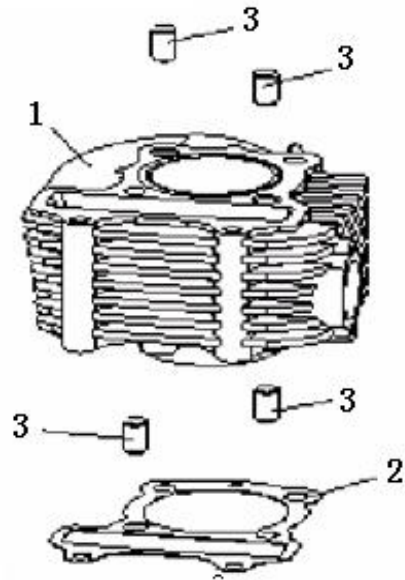
Ref	Code	Part Number	Description	Qty
1	30303H03F000	07-020150-0301	SCREW,TAPPET ADJUSTING	2
2	30302H03F930	07-020150-0302	NUT,TAPPET ADJUSTING	2
3	203306.013063	07-020150-0303	SHAFT, EXHAUST ROCKER ARM	1
4	30600H03F000	07-020150-0304	PLATE, STOPPER	1
5	203102.002063	07-020150-0305	SHAFT, INTAKE ROCKER ARM	1
6	30310J05F000	07-020150-0306	GASKET, CAM SHAFT HOLDER	2
7	30304J05F000	07-020150-0307	HOLDER,CAM SHAFT	1
8	30301J05F000	07-020150-0308	ARM,ROCKER	2
9	30420J05F000	07-020150-0309	CAMSHAFT ASSY	1

Fig. 04 Cam Chain &amp; Tensioner



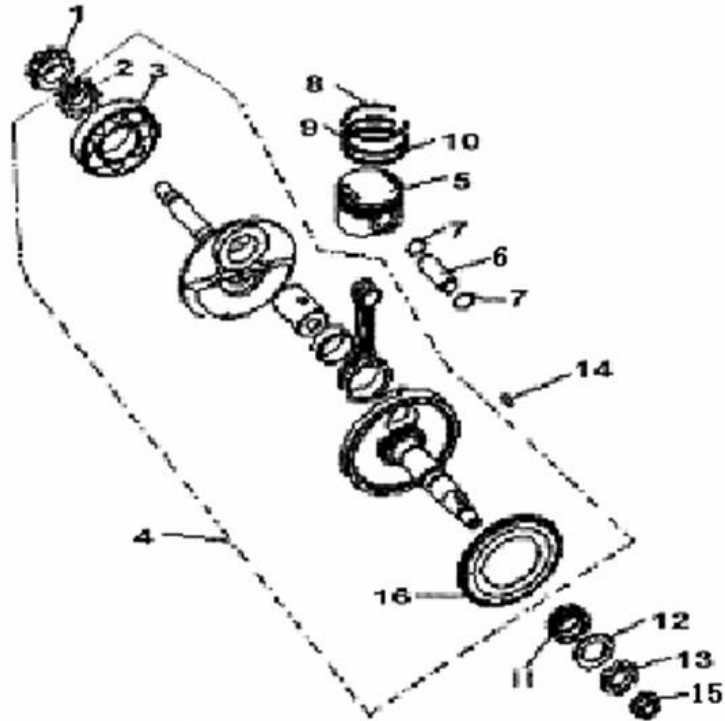
Ref	Code	Part Number	Description	Qty
1	27421J05F000	07-020150-0401	GUIDE, CAM CHAIN	1
2	27327J05F000	07-020150-0402	CAM CHAIN	1
3	205300.002000	07-020150-0403	GASKET, TENSIONER	1
4	B01070602563	07-020150-0404	SCREW	2
5	27200J05F000	07-020150-0405	GUIDE ASSY	1
6	27300J05F000	07-020150-0406	TENSIONER COMP	1

Fig. 05 Cylinder



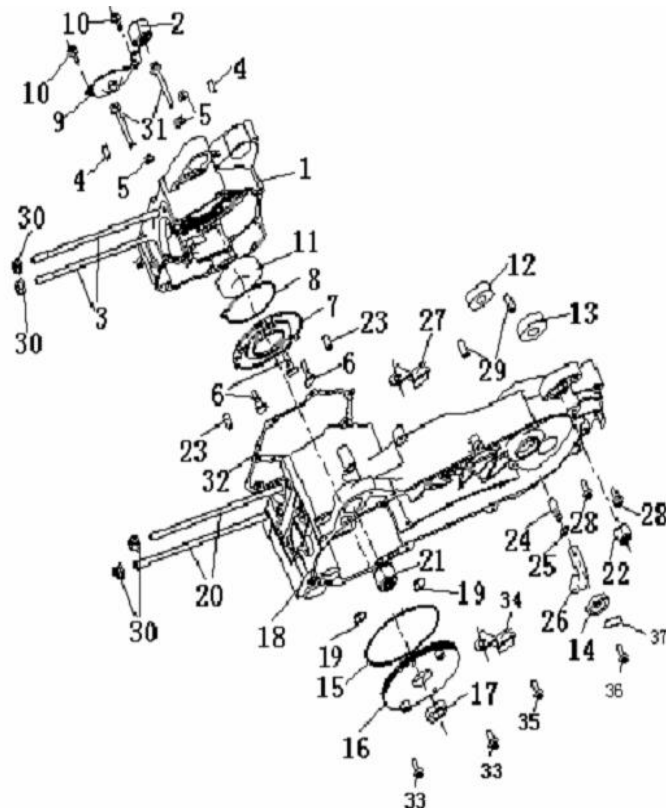
Ref	Code	Part Number	Description	Qty
1	27100K03F000	07-020150-0501	CYLINDER	1
2	204204.026000	07-020150-0502	GASKET,CYLINDER	1
3	14107J05F000	07-020150-0503	PIN DOWEL	4

Fig. 06 Crankshaft, Connecting Rod &amp; Piston



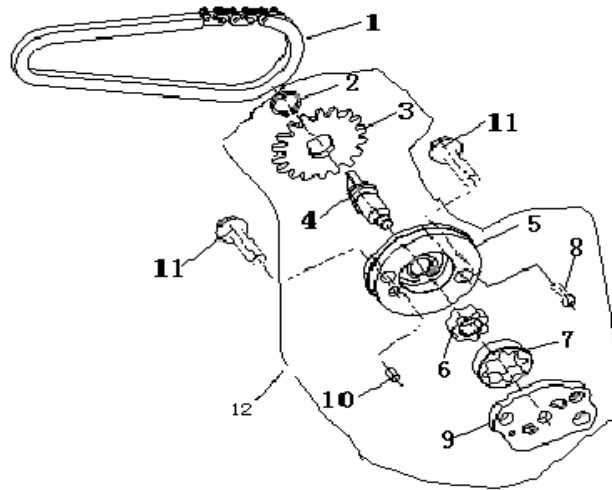
Ref	Code	Part Number	Description	Qty
1	15231J05F000	07-020150-0601	GEAR, STARTER DRIVE	1
2	15232J05F000	07-020150-0602	SPROCKET, CAM CHAIN	1
3	15210J05F000	07-020150-0603	ROLLING BEARING	1
4	15200J05F000	07-020150-0604	CRANKSHAFT & CONNECTING ROD ASSY	1
5	208300.046062	07-020150-0605	PISTON	1
6	15105K03F000	07-020150-0606	PIN, PISTON	1
7	208308.004161	07-020150-0607	CLIP	2
8	15305K03F940	07-020150-0608	RING, FIRST	1
9	15304K03F000	07-020150-0609	RING, SECOND	1
10	15303K03F000	07-020150-0610	RING SET, OIL	2
10A		07-020150-06110A	RING SET	
11	15208J05F000	07-020150-0611	SPROCKET	1
12	15209J05F000	07-020150-0612	WASHER	1
13	208224.001161	07-020150-0613	NUT	1
14	15101J01F000	07-020150-0614	KEY	1
15	15206J05F000	07-020150-0615	NUT, LOCK	1
16	15227J05F000	07-020150-0616	PLATE, OIL REVERSE	1

Fig. 07 Crankcase



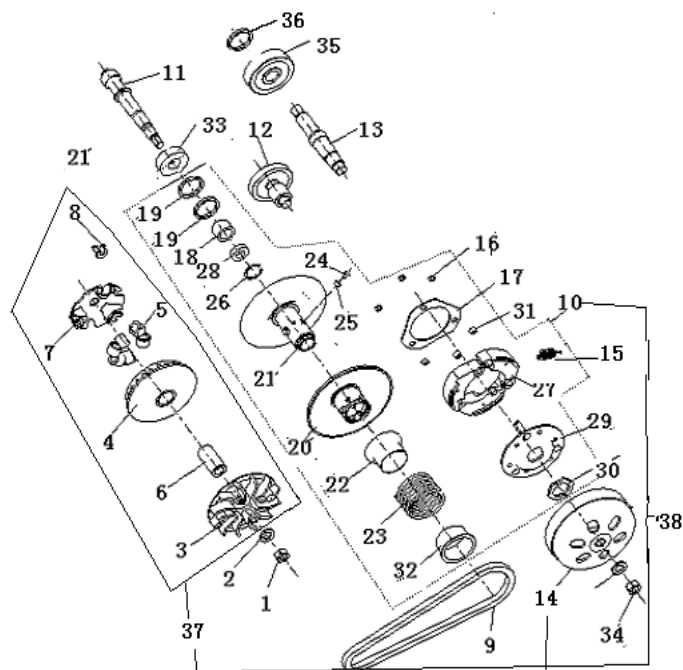
Ref	Code	Part Number	Description	Qty
1	26210K03F000	07-020150-0701	CRANKCASE ASSY RH	1
2	26501H03F000	07-020150-0702	BUSH	2
3	26206J05F910	07-020150-0703	BOLT	2
4	14206J01F000	07-020150-0704	PIN DOWEL	2
5	B04170000653	07-020150-0705	NUT	3
6	26313J05F930	07-020150-0706	SCREW	3
7	26314J05F910	07-020150-0707	PLATE, STAINER	1
8	26209J05F000	07-020150-0708	O RING	1
9	26311J05F000	07-020150-0709	CAP, OIL PUMP	1
10	B01090601583	07-020150-0710	BOLT	2
11	26217J05F000	07-020150-0711	ROLLER BEARING	1
12	B12016620350	07-020150-0712	ROLLER BEARING	1
13	B12016620250	07-020150-0713	ROLLER BEARING	1
14	26106H03F000	07-020150-0714	OIL SEAL	1
15	26102G03F000	07-020150-0715	O RING	1
16	26101J05F000	07-020150-0716	COVER LH, SMALL	1
17	26130J05F000	07-020150-0717	OIL SEAL	1
18	26110K03F000	07-020150-0718	CRANKCASE ASSY, LH	1
19	26116G03F000	07-020150-0719	O RING	2
20	26107J05F910	07-020150-0720	BOLT	2
21	26501H03F000	07-020150-0721	BUSH	1
22	26502G02F000	07-020150-0722	BUSH, ENGINE MOUNTING	1
23	26128J05F000	07-020150-0723	PIN DOWEL	2
24	26105J05F000	07-020150-0724	PIPE, BREATHER	1
25	201227.002371	07-020150-0725	CLIP	1
26	26402J05F000	07-020150-0726	HOSE, BREATHER	1
27	207224.003472	07-020150-0727	CLIP	1
28	B01090801583	07-020150-0728	BOLT	2
29	26123G02F000	07-020150-0729	PIN DOWEL	2
30	B04070000853	07-020150-0730	NUT	4
31	B01090605083	07-020150-0731	BOLT	2
32	206210.001000	07-020150-0732	GASKET, CRANKCASE	1
33	301310601865	07-020150-0733	BOLT	2
34	B01070601463	07-020150-0734	BOLT	1
35	216216.001271	07-020150-0735	PLATE, STOPPER	1
36	B01890801563	07-020150-0736	SCREW	2
37	18105H03F000	07-020150-0737	BOLT	2

Fig. 08 Oil Pump



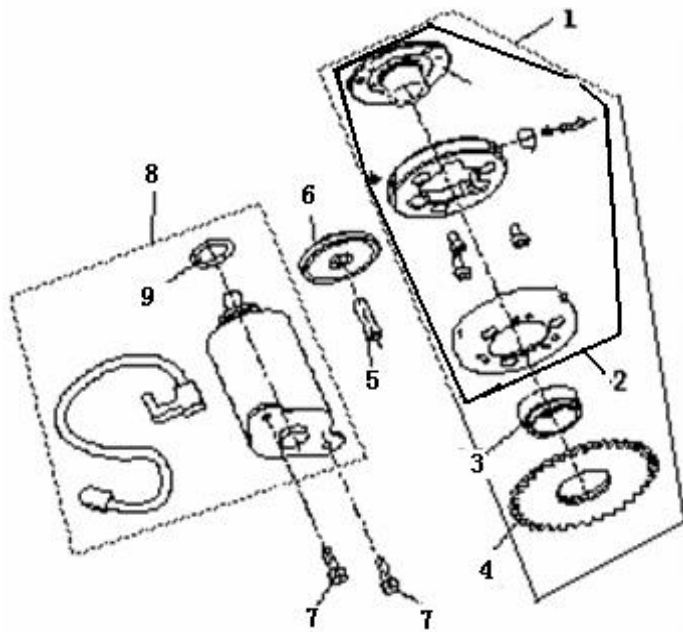
Ref	Code	Part Number	Description	Qty
1	19114J05F000	07-020150-0801	CHAIN, OIL PUMP	1
2	B08010001000	07-020150-0802	WASHER	1
3	19110J05F000	07-020150-0803	SPROCKET,OIL PUMP DRIVEN	1
4	19107J05F000	07-020150-0804	SHAFT,OIL PUMP	1
5	19102J05F000	07-020150-0805	BODY,OIL PUMP	1
6	19108H03F000	07-020150-0806	ROTOR,OIL PUMP INNER	1
7	19105H03F000	07-020150-0807	ROTOR,OIL PUMP OUTER	1
8	B02000301223	07-020150-0808	SCREW	1
9	19103J05F000	07-020150-0809	CAP,OIL PUMP	1
10	19109J05F000	07-020150-0810	PIN DOWEL	1
11	301310602565	07-020150-0811	BOLT	2
12	19000J05F000	07-020150-0812	OIL PUMP ASSY	1

Fig. 09 Clutch



Ref	Code	Part Number	Description	Qty
1	15206H03F000	07-020150-0901	NUT	1
2	B07010001200	07-020150-0902	WASHER, SPRING	2
3	24111J05F000	07-020150-0903	SHEAVE, FIXED DRIVE	1
4	24101J05F000	07-020150-0904	PRIMARY SLIDING SHEAVE, FIXED DRIVE	1
5	24120J05F000	07-020150-0905	ROLLER SET	6
6	24140J05F000	07-020150-0906	COLLAR	1
7	24151J05F930	07-020150-0907	CAM, VARIABLE DRIVE	1
8	24130J05F000	07-020150-0908	DAMPER	3
9	24160J05F000	07-020150-0909	V BELT	1
10	24210J05F000	07-020150-0910	DRIVEN PULLEY AND CLUTCH ASSY	1
11	214300.003000	07-020150-0911	SHAFT, DRIVE	1
12	214103.009000	07-020150-0912	SHAFT, IDLE	1
13	17201J05F000	07-020150-0913	SHAFT, REAR AXLE	1
14	24230H03F000	07-020150-0914	HOUSING, CLUTCH	1
15	24224H03F000	07-020150-0915	SPRING	3
16	B08030000600	07-020150-0916	CIRCLIP	3
17	24266H03F920	07-020150-0917	PLATE, CLUTCH	1
18	24203J05F000	07-020150-0918	BEARING	1
19	24216H03F000	07-020150-0919	OIL SEAL	2
20	24211H03F000	07-020150-0920	SECONDARY SLIDING SHEAVE	1
21	24212J05F000	07-020150-0921	SECONDARY FIXED SHEAVE	1
22	24213H03F930	07-020150-0922	SEAT, SPRING	1
23	24240H03F000	07-020150-0923	SPRING	1
24	24246H03F000	07-020150-0924	AXLE	3
25	24217H03F000	07-020150-0925	BEARING	3
26	B08000002600	07-020150-0926	CIRCLIP	1
27	24231H03F000	07-020150-0927	CLUTCH SHOE	3
28	24245H03F000	07-020150-0928	BEARING	1
29	24211H03F000	07-020150-0929	DRIVER PLATE	1
30	24242H03F000	07-020150-0930	NUT	1
31	24225H03F000	07-020150-0931	RUBBER CLUTCH	3
32	24244H03F000	07-020150-0932	SEAT, SPRING	1
33	B12016620450	07-020150-0933	BEARING	1
34	18330H03F930	07-020150-0934	NUT	1
35	17217J05F000	07-020150-0935	GEAR	1
36	B08010002000	07-020150-0936	CIRCLIP	1
37	24100J05F000	07-020150-0937	VARIATOR ASSY	1
38	24001J05F000	07-020150-0938	CLUTCH ASSY	1

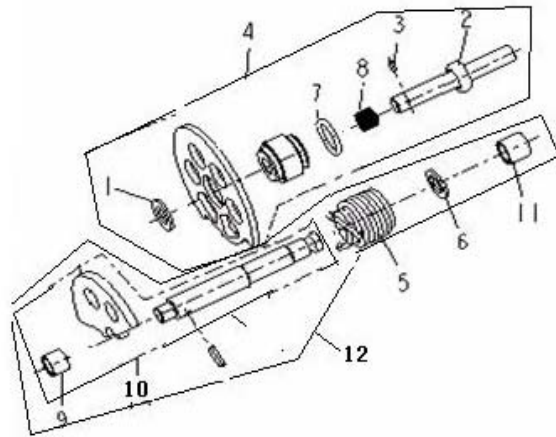
Fig. 10 Electric Starter



Ref	Code	Part Number	Description	Qty
1	34400J05F000	07-020150-1001	STARTER CLUTCH ASSY	1
2	34110J05F000	07-020150-1002	STARTER CLUTCH	1
3	34124H03F000	07-020150-1003	BEARING, NEEDLE	1
4	218100.011371	07-020150-1004	GEAR COMP, STARTER CLUTCH	1
5	34146J05F000	07-020150-1005	SHAFT, STARTER IDLE GEAR	1
6	34141J05F000	07-020150-1006	GEAR, STARTER IDLE	1
7	301310601865	07-020150-1007	BOLT	2
8	218100.011472	07-020150-1008	STARTER MOTOR	1
9	34254J05F000	07-020150-1009	O RING	1

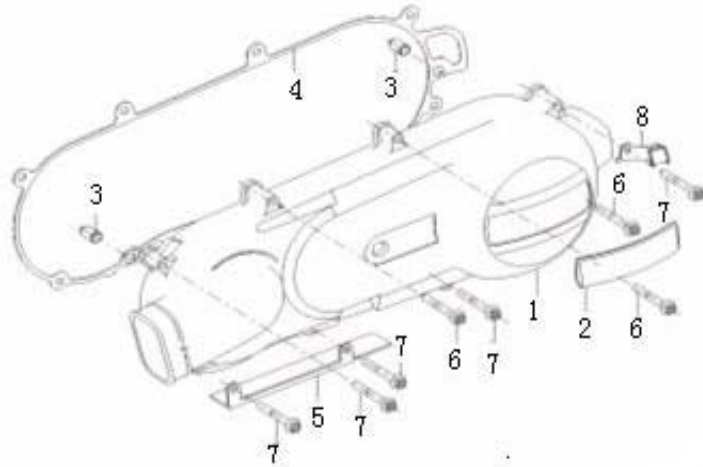


Fig. 11 Kick Starter



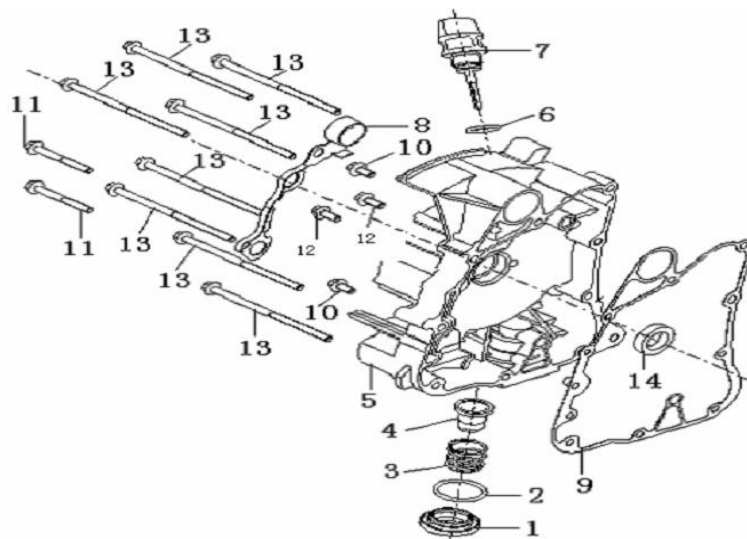
Ref	Code	Part Number	Description	Qty
1	17805H03F000	07-020150-1101	WASHER	1
2	17811J05F000	07-020150-1102	GEAR SHAFT	1
3	B090103008B0	07-020150-1103	PIN	1
4	17806H03F000	07-020150-1104	GEAR ASSY, STARTER	1
5	17718J05F930	07-020150-1105	SPRING, KICK START SHAFT	1
6	17402H03F000	07-020150-1106	PLATE	1
7	17809H03F000	07-020150-1107	SPRING	1
8	17412H03F000	07-020150-1108	SPRING	1
9	17433H03F000	07-020150-1109	BEARING COVER, STARTER	1
10	17400J05F000	07-020150-1110	SHAFT ASSY, STARTER	1
11	17434H03F000	07-020150-1111	BEARING COVER, STARTER	1
12	216100.101000	07-020150-1112	KICK STARTER ASSY	1

Fig. 12 Crankcase Cover LH



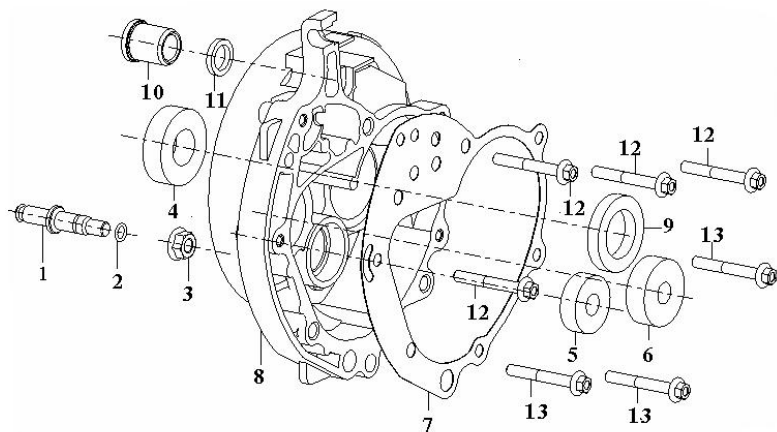
Ref	Code	Part Number	Description	Qty
1	207200.018081	07-020150-1201	LEFT CRANKCASE COVER	1
2	207236.020472	07-020150-1202	EMBLEM	1
3	14107J05F000	07-020150-1203	PIN DOWEL	2
4	207208.007000	07-020150-1204	GASKET,CRANKCASE LH	1
5	207225.004472	07-020150-1205	PLATE,PROTECTOR	1
6	301310604565	07-020150-1206	BOLT	3
7	301310603565	07-020150-1207	BOLT	5
8	222218.003472	07-020150-1208	CLIP	1

Fig. 13 Crankcase RH



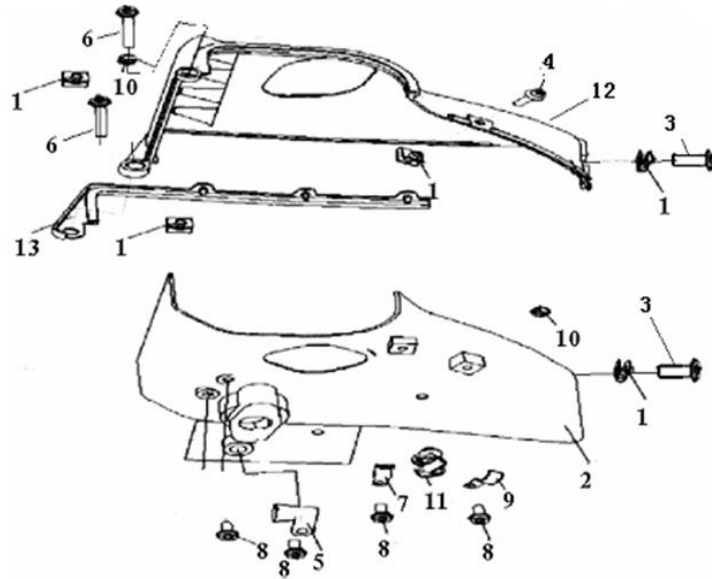
Ref	Code	Part Number	Description	Qty
1	26306H03F000	07-020150-1301	PLUG, OIL DRAIN	1
2	26307H03F000	07-020150-1302	O RING	1
3	26305H03F000	07-020150-1303	SPRING, STRAINER	1
4	26308J01F000	07-020150-1304	STRAINER, OIL	1
5	14201J05F000	07-020150-1305	COVER, CRANKCASE RH	1
6	14215J01F000	07-020150-1306	O RING	1
7	207304.008081	07-020150-1307	GAUGE, OIL LEVEL	1
8	14220J05F910	07-020150-1308	CLIP	1
9	207303.008000	07-020150-1309	GASKET, CRANKCASE COVER RH	1
10	B01090601263	07-020150-1310	BOLT	2
11	B01080501263	07-020150-1311	BOLT	2
12	B01070602063	07-020150-1312	BOLT	2
13	30504H03F000	07-020150-1313	BOLT	8
14	26130J05F000	07-020150-1314	OIL SEAL	1

Fig. 14 Cover Gear Box



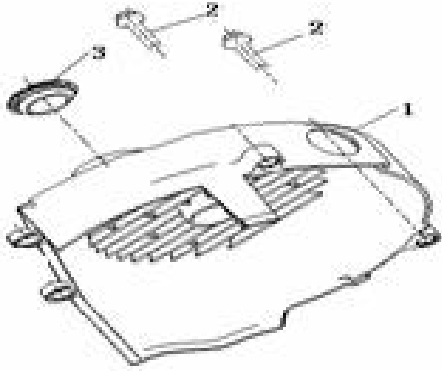
Ref	Code	Part Number	Description	Qty
1	18114J05F930	07-020150-1401	PIN	1
2	18112H03F000	07-020150-1402	O RING	1
3	B04170000853	07-020150-1403	NUT	1
4	B12016600450	07-020150-1404	ROLLER BEARING	1
5	B12016620150	07-020150-1405	ROLLER BEARING	1
6	B12016630150	07-020150-1406	ROLLER BEARING	1
7	214201.002000	07-020150-1407	GASKET, GEAR BOX	1
8	18101J05F000	07-020150-1408	COVER, GEAR BOX	1
9	18102H03F000	07-020150-1409	OIL SEAL	1
10	18103J05F000	07-020150-1410	BUSH	1
11	18106J05F000	07-020150-1411	OIL SEAL	1
12	301310604565	07-020150-1412	BOLT	4
13	B01070605561	07-020150-1413	BOLT	3

Fig. 15 Shroud



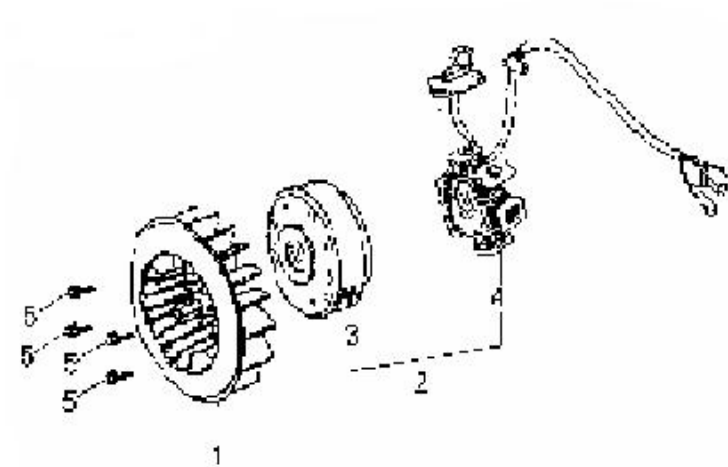
Ref	Code	Part Number	Description	Qty
1	20312J05F910	07-020150-1501	CLIP	4
2	20307J05FT10	07-020150-1502	SHROUD,UPPER	1
3	B01890601663	07-020150-1503	SCREW	2
4	B01890601663	07-020150-1504	SCREW	1
5	222218.002472	07-020150-1505	CLIP	1
6	B01890601663	07-020150-1506	SCREW	2
7	222218.003472	07-020150-1507	CLIP	1
8	B01090602563	07-020150-1508	SCREW	4
9	222218.004472	07-020150-1509	CLIP	1
10	20327J05F000	07-020150-1510	DOWEL	2
11	20313J05F000	07-020150-1511	CLIP	1
12	20302J05FT10	07-020150-1512	SHROUD,LOWER	1

Fig. 16 Fan Cover



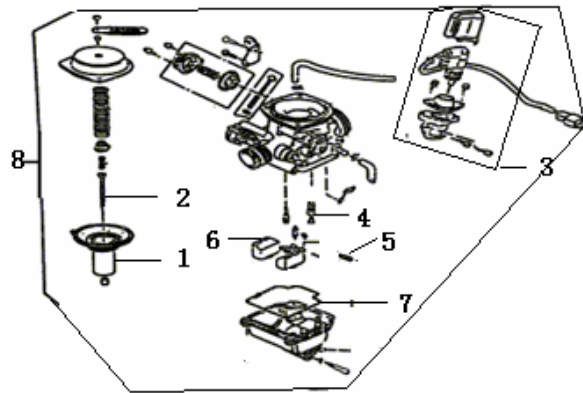
Ref	Code	Part Number	Description	Qty
1	20201J05FT10	07-020150-1601	COVER,FAN	1
2	B01890602563	07-020150-1602	SCREW	2
3	20204J05F000	07-020150-1603	CAP,INSPECTION	2

Fig. 17 Magneto



Ref	Code	Part Number	Description	Qty
1	20401J05F000	07-020150-1701	FAN	1
2	223100.004000	07-020150-1702	MAGNETO ASSY	1
3	34301J05F000	07-020150-1703	FLYWHEEL	1
4	34310J05F000	07-020150-1704	STATOR	1
5	B01080601863	07-020150-1705	BOLT	4

Fig. 18 Carburetor



Ref	Code	Part Number	Description	Qty
1	32506J05F000	07-020150-1801	VALVE, MAINJET	1
2	224208.027000	07-020150-1802	NEEDLE, JET	1
3	32608J05F000	07-020150-1803	ENRICH VALVE	1
4	224202.042000	07-020150-1804	JET, MAIN	1
5	32621J05F000	07-020150-1805	PIN, FLOAT	1
6	32622J05F000	07-020150-1806	FLOAT	1
7	32701J05F000	07-020150-1807	GASKET, FLOAT CHAMBER	1
8	224100.104000	07-020150-1808	CARBURETOR ASSY	1