

# **DIAMO® TORINO ENGINE**

## **PARTS CATALOG**

*First Edition November 2007*



---

Copyright © 2004-2007 LS MotorSports, LLC. Reproduction without written permission is completely forbidden.

*The information and diagrams included in this catalog are the exclusive property of LS MotorSports, LLC and may not be reproduced in any media without the express written consent of LS MotorSports, LLC.*


*For more information contact:*

LS MotorSports, LLC  
12505 Reed Rd, Suite 145  
Sugar Land, TX 77478  
281-277-6140

*Information contained in this publication is subject to change without notice.  
For the most up to date information please contact DIAMO USA or an Authorized Dealer*



[www.DIAMOUSA.com](http://www.DIAMOUSA.com)



Copyright © 2004-2007 LS MotorSports, LLC. Reproduction without written permission is completely forbidden.

## **CONTENTS**

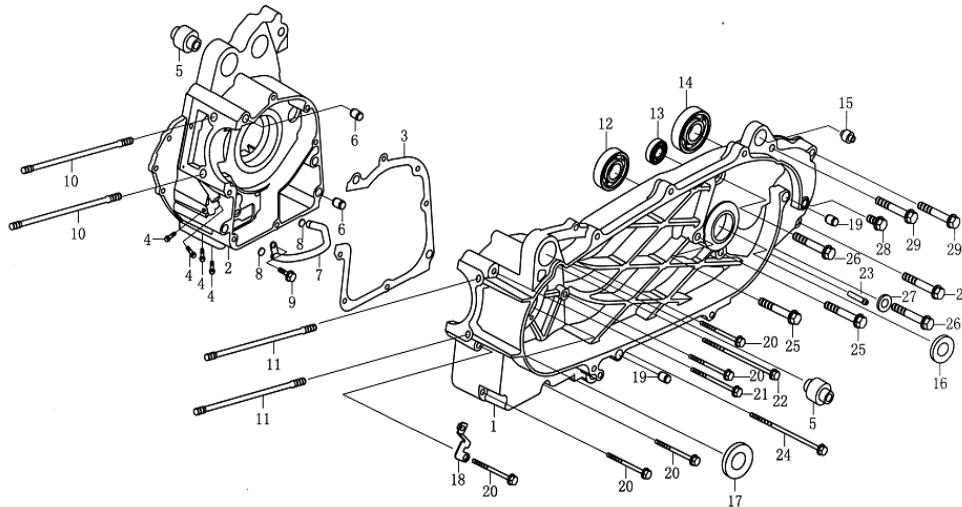
### **PAGE**

4  
5  
6  
7  
8  
9  
10  
11  
12  
13  
14  
15  
16  
17  
18  
19  
20

### **TITLE**

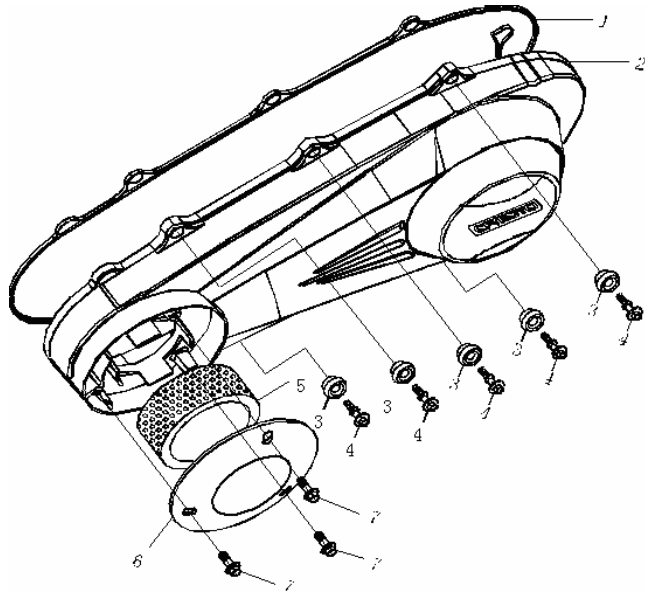
CRANKCASE  
LEFT SIDE COVER  
RIGHT SIDE COVER  
CYLINDER HEAD COVER  
CAM CHAIN & TENSIONER  
CAM & VALVE  
CYLINDER HEAD  
CYLINDER BODY  
MAGNETO  
CRANKSHAFT AND PISTON  
VARIATOR  
CLUTCH  
TRANSMISSION  
OIL PUMP  
WATER PUMP  
STARTER MOTOR  
CARBURETOR

Fig. 01 Crankcase



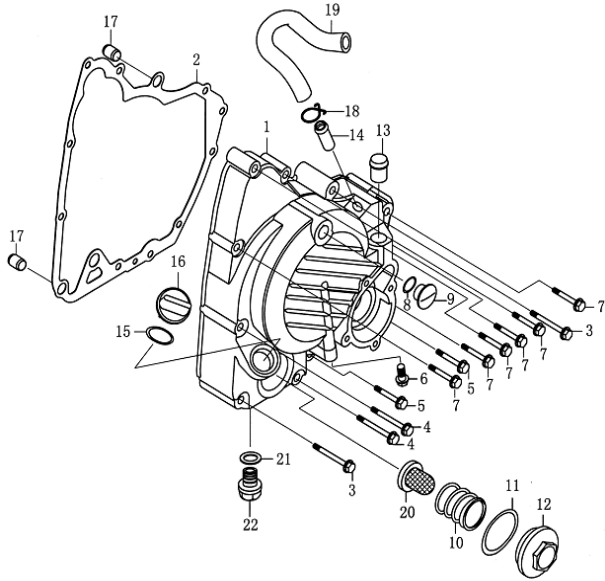
Ref	Code	Part Number	Description	Qty
1	1P52MI-A-011200	07-023-0101	LEFT CRANKCASE COMP.	1
2	1P52MI-A-011300	07-023-0102	RIGHT CRANKCASE	1
3	1P52MI-A-011003	07-023-0103	GASKET, RIGHT CRANKCASE	1
4	GB T65-2000 M5×6	07-023-0104	SCREW, M5×6	4
5	1P52MI-011400	07-023-0105	BUSHING SET, FRONT CUSHION	2
6	152MI-021005	07-023-0106	DOWEL PIN, 10×14	2
7	152MI-011600	07-023-0107	INNER OIL PIPE SET	1
8	152MI-011006	07-023-0108	O-RING, 9×1.7	2
9	152MI-021019	07-023-0109	BOLT, M6×12	1
10	1P52MI-A-011005	07-023-0110	BOLT B, CYLINDER STUD	2
11	1P52MI-A-011004	07-023-0111	BOLT A, CYLINDER STUD	2
12	172MM-060002	07-023-0112	BEARING, 22×50×14	1
13	GB T276-1994 6202	07-023-0113	BEARING, 6202	1
14	GB T276-1994 6004	07-023-0114	BEARING 6004	1
15	152MI-011500	07-023-0115	BUSHING SET, REAR CUSHION	1
16	GB T9877.1-1988	07-023-0116	OIL SEAL, FB22×35×5	1
17	152MI-011002	07-023-0117	OIL SEAL, 25×40×8	1
18	1P52MI-A-011800	07-023-0118	BRACKET, SMALL AIR CLEANER	1
19	152MI-011007	07-023-0119	DOWEL PIN, 10×16	2
20	152MI-011017	07-023-0120	BOLT, M6×60	5
21	1P52MI-011018	07-023-0121	BOLT, M6×70	1
22	152MI-011015	07-023-0122	BOLT, M6×100	1
23	1P39MB-022306	07-023-0123	PIPE JOINT, 6×30	1
24	1P52MI-A-011006	07-023-0124	BOLT, M6×105	1
25	1P39MB-012006	07-023-0125	BOLT, M8×50	2
26	1P39MB-012005	07-023-0126	BOLT, M8×45	3
27	152MI-021016	07-023-0127	WASHER 8	1
28	1P39MB-012003	07-023-0128	PLUG M8	1
29	1P52MI-A-011007	07-023-0129	BOLT, M8×55	2

Fig. 02 Left Side Cover



Ref	Code	Part Number	Description	Qty
1	1P52MI-A-012002	07-023-0201	GASKET, LEFT CRANKCASE COVER	1
2	1P52MI-A-012001(1)	07-023-0202	LEFT CRANKCASE COVER	1
3	1P52MI-A-012202	07-023-0203	BUSHING	5
4	1P52MI-A-012201	07-023-0204	BOLT, LEFT SIDE COVER	5
5	1P52MI-A-012006(1)	07-023-0205	FILTER ELEMENT, CRANKCASE	1
6	1P52MI-A-012005(1)	07-023-0206	COVER, CRANKCASE AIR INLET	1
7	152MI-090005	07-023-0207	BOLT, M6X16	3

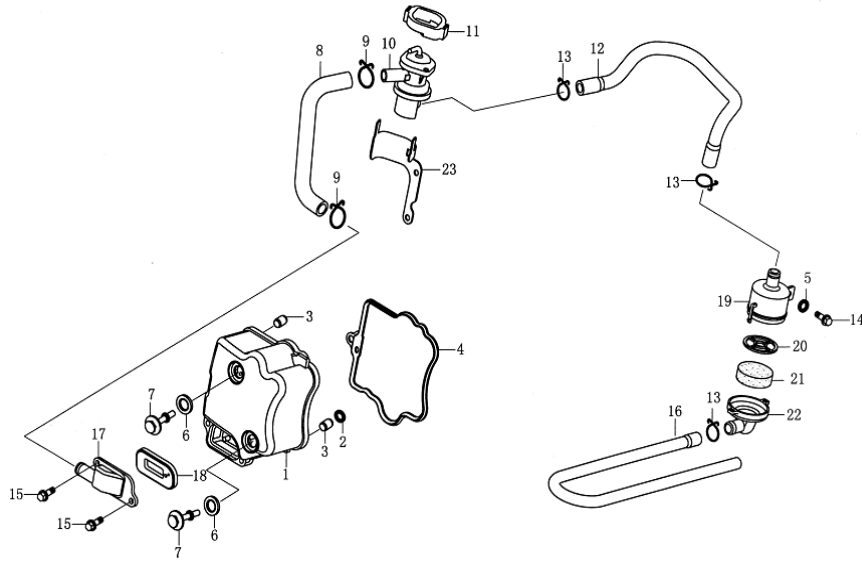
Fig. 03 Right Side Cover



Ref	Code	Part Number	Description	Qty
1	1P52MI-013001	07-023-0301	RIGHT SIDE COVER	1
2	1P52MI-013005	07-023-0302	GASKET, RIGHT SIDE COVER	1
3	152MI-011017	07-023-0303	BOLT, M6×60	2
4	152MI-013010	07-023-0304	BOLT, M6×50	2
5	152MI-013008	07-023-0305	BOLT, M6×35	2
6	GB/T65-2000	07-023-0306	BOLT, M5×6	1
7	152MI-013009	07-023-0307	BOLT, M6×40	6
8	152MI-021009	07-023-0308	SEAL RING, PLUG	1
9	152MI-021008	07-023-0309	PLUG, INSPECTION	1
10	152MI-013004	07-023-0310	SPRING	1
11	152MI-013014	07-023-0311	O-RING, 35×3	1
12	152MI-013003	07-023-0312	COVER, OIL SCREEN	1
13	152MI-013012	07-023-0313	JOINT, OUTLET PIPE	1
14	152MI-013006	07-023-0314	JOINT, BREATHER PIPE	1
15	152MI-013013	07-023-0315	O-RING, 18×3	1
16	152MI-013002	07-023-0316	GUIDE, OIL LEVEL	1
17	152MI-021005	07-023-0317	DOWEL PIN, 10×14	2
18	JB3675.2-84	07-023-0318	CLIP, HOSE	1
19	1P52MI-A-013007	07-023-0319	HOSE, BREATHER	1
20	152MI-013100	07-023-0320	OIL SCREEN	1
21	152MI-021014	07-023-0321	WASHER 12	1
22	172MM-013005	07-023-0322	DRAIN BOLT M12×1.25	1

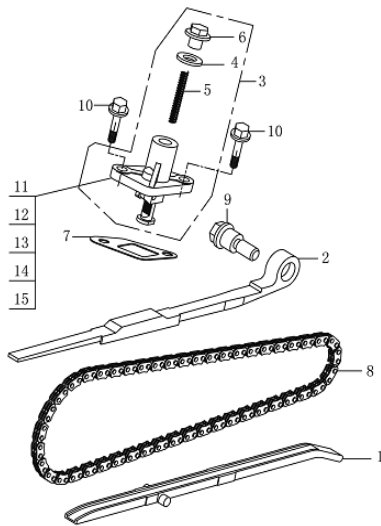


Fig. 04 Cylinder Head Cover



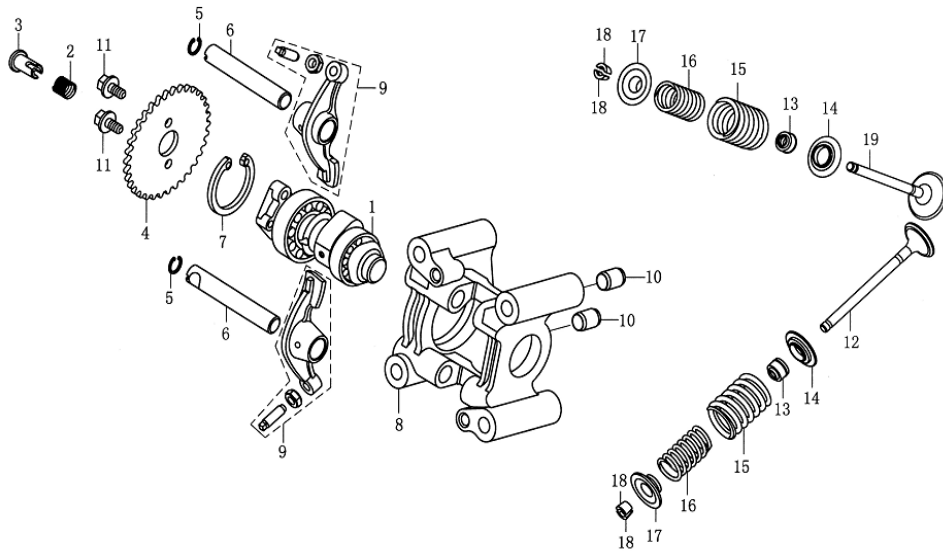
Ref	Code	Part Number	Description	Qty
1	1P52MI-A-021006	07-023-0401	COVER, CYLINDER HEAD	1
2	1P52MI-A-021021	07-023-0402	GASKET, SECONDARY AIR INLET	1
3	152MI-080008	07-023-0403	DOWEL PIN, 8×14	2
4	1P52MI-A-021011	07-023-0404	GASKET, CYLINDER HEAD COVER	1
5	GB 848-85 6-D-Cr	07-023-0405	WASHER 6-D-Cr	1
6	1P39MB-021200	07-023-0406	GASKET, CYLINDER HEAD COVER BOLT	2
7	1P52MI-A-021022	07-023-0407	BOLT, CYLINDER HEAD COVER	2
8	1P52MI-A-140002	07-023-0408	INLET PIPE, EGR VALVE	1
9	QC/T621-1999	07-023-0409	CLAMP A18	2
10	1P52MI-A-141000	07-023-0410	EGR VALVE	1
11	1P39MB-140001	07-023-0411	FIXING COLLAR, EGR VALVE	1
12	1P52MI-A-140005	07-023-0412	INLET HOSE, EGR VALVE	1
13	QC/T621-1999	07-023-0413	CLAMP A16	3
14	152MI-021019	07-023-0414	BOLT M6×12	1
15	GB5787-86M6×14-D-Cr	07-023-0415	BOLT M6×14-D-Cr	2
16	1P52MI-A-140006	07-023-0416	BREATHER HOSE, EGR SMALL AIR CLEANER	1
17	1P52MI-A-140003	07-023-0417	PCV COVER	1
18	1P52MI-A-143000	07-023-0418	PCV VALVE	1
19	1P52MI-A-142001	07-023-0419	EGR SMALL AIR CLEANER BODY	1
20	1P52MI-A-142002	07-023-0420	RETAINER	1
21	1P52MI-A-142003	07-023-0421	SPONGE, BREATHER	1
22	1P52MI-A-142004	07-023-0422	COVER, SMALL AIR CLEANER	1
23	1P52MI-A-022023	07-023-0423	HOLDER, CONTROL VALVE	1

Fig. 05 Cam Chain & Tensioner



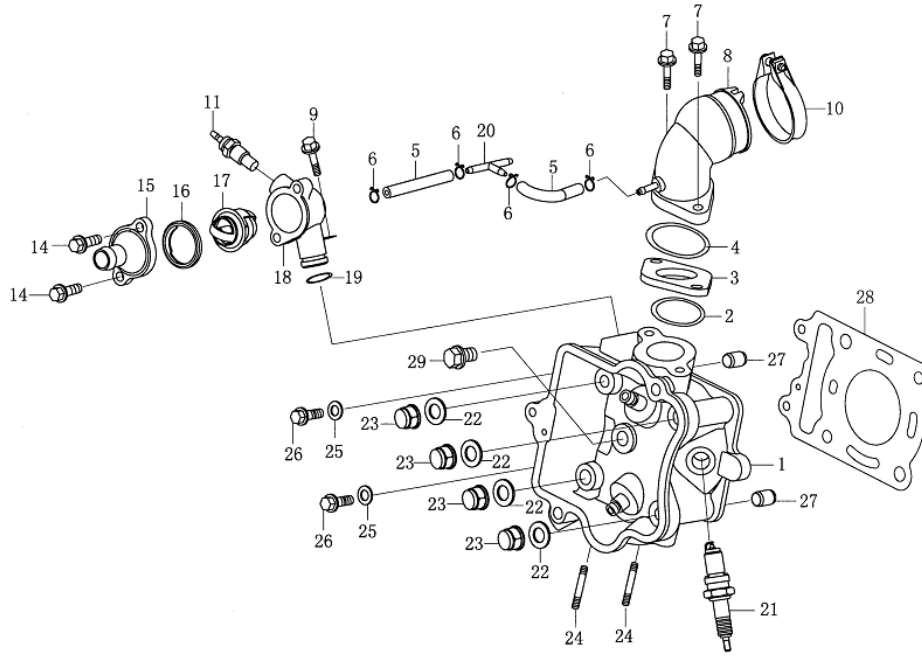
Ref	Code	Part Number	Description	Qty
1	152MI-023001	07-023-0501	GUIDE, CAM CHAIN	1
2	152MI-023200	07-023-0502	TENSIONER BAR, CAM CHAIN	1
3	152MI-023300	07-023-0503	TENSIONER	1
4	152MI-023305	07-023-0504	WASHER 8.5	1
5	152MI-023306	07-023-0505	SPRING	1
6	152MI-023307	07-023-0506	BOLT, SPRING HOLDER	1
7	152MI-023004	07-023-0507	GASKET, TENSIONER	1
8	152MI-022400	07-023-0508	CHAIN, CAMSHAFT DRIVE	1
9	152MI-023006	07-023-0509	PIN, BOLT	1
10	152MI-023008	07-023-0510	BOLT, M6×18	2

Fig. 06 Cam and Valve



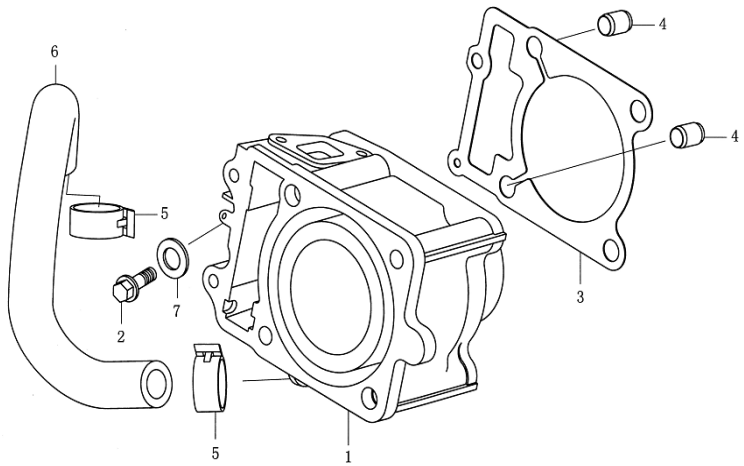
Ref	Code	Part Number	Description	Qty
1	1P52MI-A-024100	07-023-0601	CAMSHAFT	1
2	152MI-040010	07-023-0602	SPRING, OIL CHANNEL JOINT	1
3	152MI-040011	07-023-0603	JOINT, OIL CHANNEL	1
4	1P52MI-A-024002	07-023-0604	SPROCKET	1
5	GB893.1-86	07-023-0605	CIRCLIP 10	2
6	1P52MI-A-024003	07-023-0606	ROCKERARM SHAFT	2
7	GB893.1-86 42	07-023-0607	CIRCLIP 42	1
8	1P52MI-A-024001	07-023-0608	HOLDER, CAMSHAFT	1
9	1P52MI-A-024200	07-023-0609	ROCKERARM	2
10	152MI-021005	07-023-0610	DOWEL PIN 10×14	2
11	1P39MB-022015	07-023-0611	BOLT, TIMING SPROCKET	2
12	152MI-022007	07-023-0612	VALVE, EXHAUST	1
13	152MI-022500	07-023-0613	SEAL, VALVE STEM	2
14	152MI-022001	07-023-0614	SEAT, VALVE SPRING	2
15	1P52MI-022003	07-023-0615	OUTER SPRING, VALVE	2
16	152MI-022004	07-023-0616	INNER SPRING, VALVE	2
17	152MI-022005	07-023-0617	RETAINER, VALVE SPRING	2
18	152MI-022006	07-023-0618	COTTER, VALVE	4
19	152MI-022002	07-023-0619	VALVE, INTAKE	1

Fig. 07 Cylinder Head



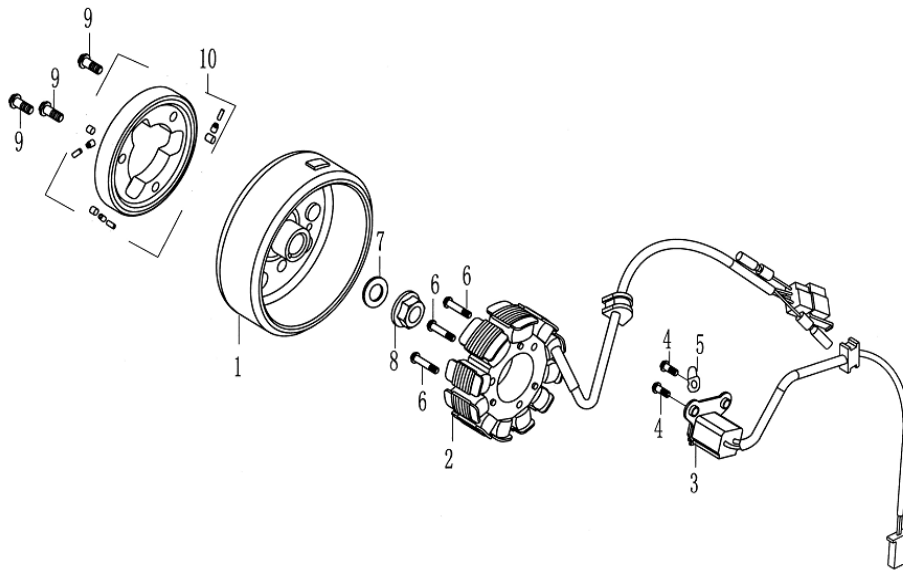
Ref	Code	Part Number	Description	Qty
1	1P52MI-A-022300	07-023-0701	CYLINDER HEAD	1
2	152MI-022018	07-023-0702	O-RING, 27×2	1
3	152MI-022019	07-023-0703	GASKET, INTAKE MANIFOLD	1
4	152MI-022016	07-023-0704	O-RING, 29.7×2.8	1
5	1P39MB-022019	07-023-0705	TUBE, VACUUM	2
6	QC/T 621-1999 A6.5	07-023-0706	CLAMP A6.5	4
7	152MI-080013	07-023-0707	BOLT, M6×22	2
8	1P52MI-A-022100	07-023-0708	INTAKE MANIFOLD	1
9	152MI-023008	07-023-0709	BOLT M6×18	1
10	152MI-022200	07-023-0710	CLAMP, INTAKE	1
11	1P52MI-A-022600	07-023-0711	SENDING UNIT, WATER TEMPERATURE	1
12		07-023-0712	NA	
13		07-023-0713	NA	
14	152MI-090005	07-023-0714	BOLT, M6×16	2
15	152MI-022801	07-023-0715	LOWER CASE, THERMOSTAT	1
16	152MI-022802	07-023-0716	SEAL RING	1
17	152MI-022810	07-023-0717	THERMOSTAT	1
18	152MI-022803	07-023-0718	UPPER CASE, THERMOSTAT	1
19	152MI-022804	07-023-0719	O-RING 14.8×1.9	1
20	1P39MB-022017	07-023-0720	T JOINT, VACUUM	1
21	172MM-022400	07-023-0721	SPARK PLUG	1
22	152MI-022012	07-023-0722	WASHER 8	4
23	152MI-022013	07-023-0723	CAP NUT, M8	4
24	172MM-022007	07-023-0724	STUD, EXHAUST	2
25	GB848-85 6-D-Cr	07-023-0725	WASHER, 6-D-Cr	2
26	152MI-021017	07-023-0726	BOLT, M6×25	2
27	152MI-021005	07-023-0727	DOWEL PIN 10×14	2
28	1P52MI-022011	07-023-0728	GASKET, CYLINDER HEAD COVER	1
29	152MI-022303	07-023-0729	PLUG	1

Fig. 08 Cylinder Body



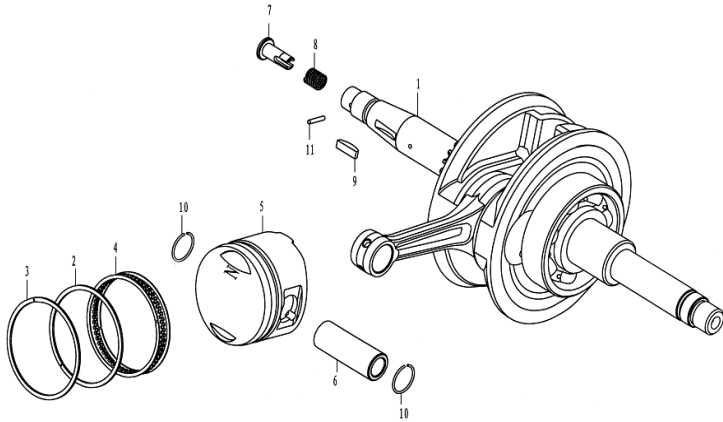
Ref	Code	Part Number	Description	Qty
1	1P52MI-023100	07-023-0801	CYLINDER	1
2	152MI-080013	07-023-0802	BOLT M6×22	1
3	1P52MI-A-023005	07-023-0803	GASKET, CYLINDER	1
4	152MI-021005	07-023-0804	DOWEL PIN, 10×14	2
5	QC/T621-1999	07-023-0805	CLAMP B20	2
6	1P52MI-A-023007	07-023-0806	HOSE, WATER INLET	1
7	GB848-85	07-023-0807	WASHER 6-D-Cr	1

Fig. 09 Magneto



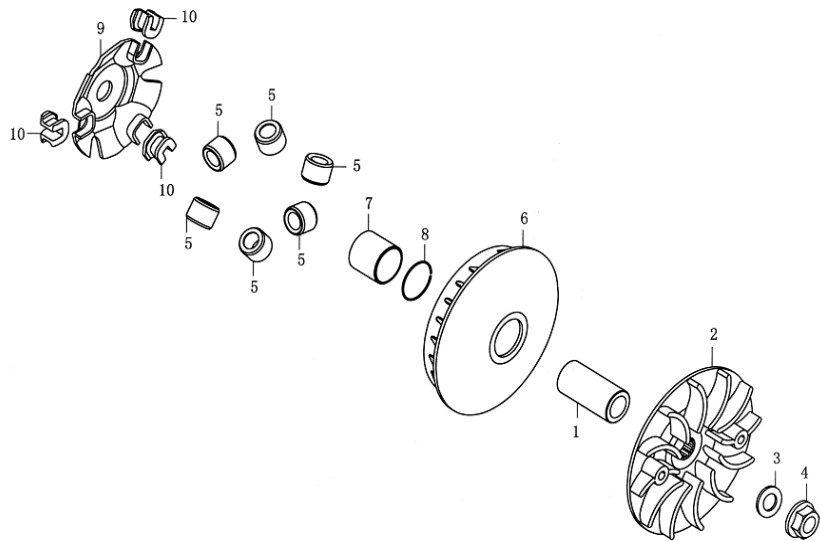
Ref	Code	Part Number	Description	Qty
1	1P52MI-A-031000	07-023-0901	ROTOR, MAGNETO	1
2	1P52MI-A-032000	07-023-0902	STATOR COIL	1
3	152MI-033000	07-023-0903	PICK UP COIL	1
4	152MI-030002	07-023-0904	BOLT, M5x16	2
5	152MI-030001	07-023-0905	HOLDER, WIRE	1
6	152MI-030003	07-023-0906	BOLT, M5x30	3
7	152MI-051004	07-023-0907	WASHER 14x28x2	1
8	152MI-040008	07-023-0908	NUT, M14x1.25	1
9	152MI-090006	07-023-0909	SCREW M6x12	3
10	152MI-092000	07-023-0910	OVERRIDING CLUTCH COMP.	1

Fig. 10 Crankshaft and Piston



Ref	Code	Part Number	Description	Qty
1	1P52MI-A-041000	07-023-1001	CRANKSHAFT	1
2	152MI-040004	07-023-1002	PISTON RING, 2nd	1
3	152MI-040005	07-023-1003	PISTON RING, 1st	1
4	152MI-042000	07-023-1004	OIL RING SET	1
5	1P52MI-040001	07-023-1005	PISTON	1
6	152MI-040002	07-023-1006	PIN, PISTON	1
7	152MI-040011	07-023-1007	JOINT, OIL PASSAGE	1
8	152MI-040010	07-023-1008	SPRING, JOINT	1
9	152MI-040006	07-023-1009	WOODRUF KEY	1
10	152MI-040003	07-023-1010	CIRCLIP, PISTON PIN	2
11	152MI-040009	07-023-1011	PIN 2x11.5	1

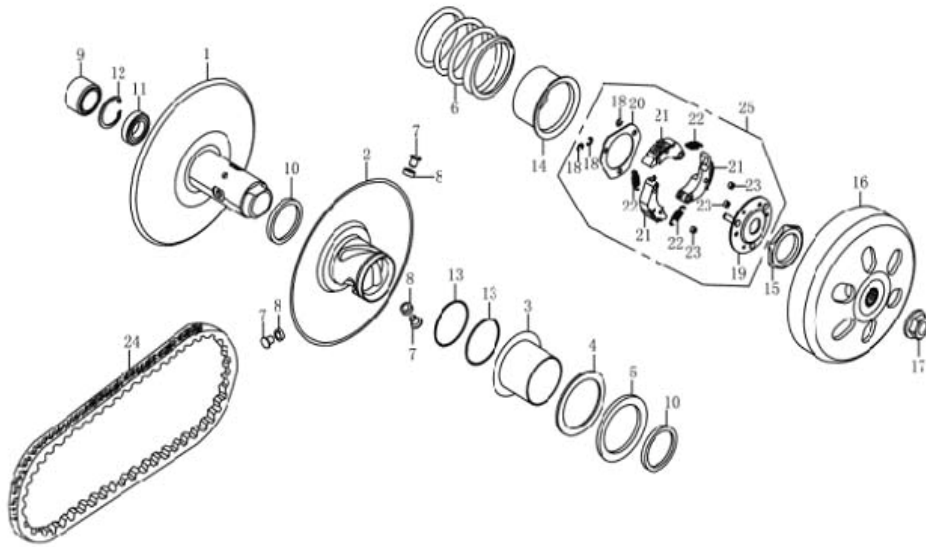
Fig. 11 Variator



Ref	Code	Part Number	Description	Qty
1	1P52MI-A-051001	07-023-1101	COLLAR, DRIVE FACE	1
2	1P52MI-A-051002	07-023-1102	DRIVE FACE	1
3	152MI-051004	07-023-1103	WASHER 14×28×2	1
4	172MM-051007	07-023-1104	NUT M14×1.5	1
5	1P52MI-A-051110	07-023-1105	ROLLER WEIGHT	6
6	1P52MI-A-051101	07-023-1106	MOVABLE DRIVE FACE	1
7	1P52MI-A-051102	07-023-1107	BUSH	1
8	1P52MI-A-051103	07-023-1108	CLAMP	1
9	1P52MI-A-051104	07-023-1109	PLATE	1
10	1P52MI-A-051105	07-023-1110	SLIDER	3
11	1P52MI-A-051000	07-023-1111	VARIATOR ASSY	1

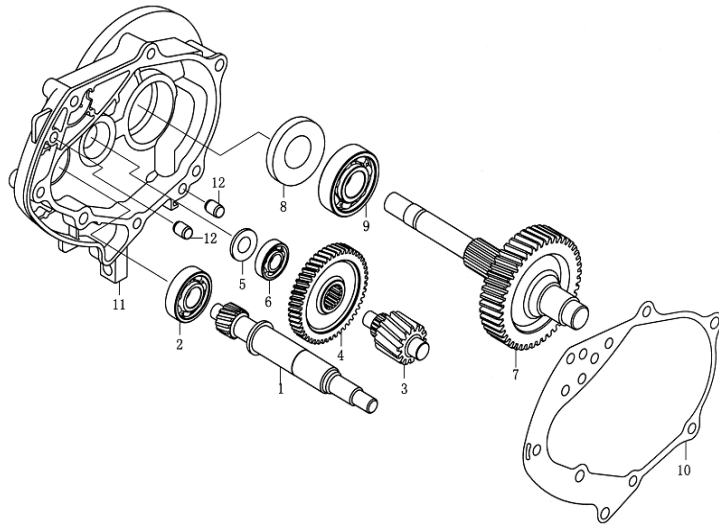


Fig. 12 Clutch



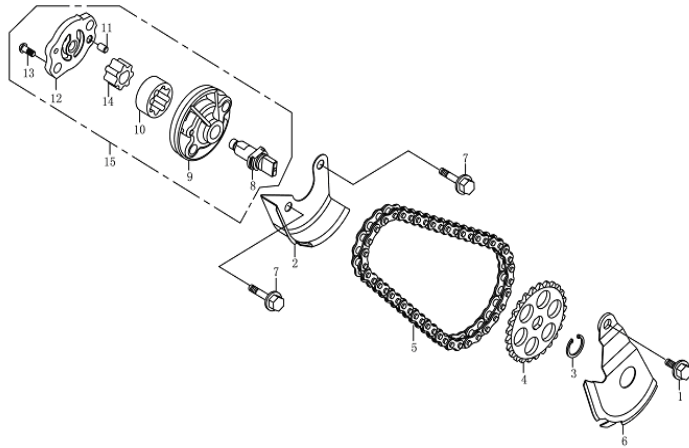
Ref	Code	Part Number	Description	Qty
1	1P52MI-A-052100	07-023-1201	DRIVEN FACE	1
2	1P52MI-A-052200	07-023-1202	MOVABLE DRIVEN FACE	1
3	1P52MI-A-052001	07-023-1203	SEAL COLLAR	1
4	1P52MI-A-052005	07-023-1204	PLASTIC WASHER	1
5	1P52MI-A-052006	07-023-1205	WASHER, DAMPER	1
6	1P52MI-A-052002	07-023-1206	SPRING, CLUTCH	1
7	1P52MI-A-052003	07-023-1207	GUIDE PIN	3
8	1P52MI-A-052004	07-023-1208	ROLLER, GUIDE	3
9	172MM-052310	07-023-1209	BEARING, 22×29×18	1
10	1P52MI-A-052300	07-023-1210	SEAL, DRIVEN FACE	2
11	GB/T276-94 61902	07-023-1211	BEARING 61902	1
12	GB894.1-86 28A	07-023-1212	CIRCLIP 28A	1
13	1P52MI-A-052009	07-023-1213	O-RING	2
14	1P52MI-A-052008	07-023-1214	COLLAR	1
15	1P52MI-A-052007	07-023-1215	SPECIAL NUT	1
16	1P52MI-A-052400	07-023-1216	CLUTCH HOUSING	2
17	172MM-052008	07-023-1217	NUT, M12×1.25	1
18	1P52MI-A-052503	07-023-1218	CIRCLIP 7	3
19	1P52MI-A-052510	07-023-1219	HUB, CLUTCH RELEASE	1
20	1P52MI-A-052501	07-023-1220	END PLATE, CLUTCH	1
21	1P52MI-A-052520	07-023-1221	CLUTCH WEIGHT SET	3
22	1P52MI-A-052502	07-023-1222	RETURN SPRING, CLUTCH	3
23	1P52MI-A-052530	07-023-1223	RUBBER, DAMPER	3
24	1P52MI-A-053000	07-023-1224	DRIVE BELT, TEETH TYPE	1
25	1P52MI-A-052500	07-023-1225	CLUTCH ASSY	1

Fig. 13 Transmission



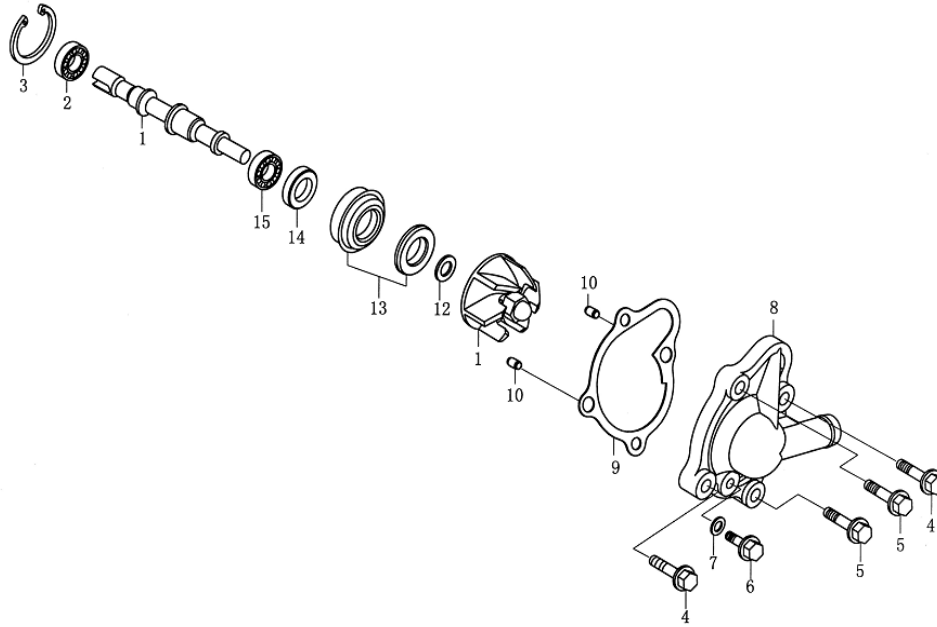
Ref	Code	Part Number	Description	Qty
1	1P52MI-A-060001	07-023-1301	DRIVE SHAFT	1
2	GB/T276-1994 6301	07-023-1302	BEARING 6301	1
3	1P52MI-A-060002	07-023-1303	COUNTER SHAFT	1
4	1P52MI-A-060003	07-023-1304	GEAR, COUNTER SHAFT	1
5	1P52MI-A-060004	07-023-1305	ADJUSTING WASHER 12	1
6	GB/T276-1994 6201	07-023-1306	BEARING 6201	1
7	1P52MI-A-061000	07-023-1307	FINAL SHAFT	1
8	172MM-011009	07-023-1308	SEAL 34×52×5	1
9	GB/T276-1994 6205LLU	07-023-1309	BEARING 6205LLU	1
10	1P52MI-A-060005	07-023-1310	GASKET, GEARBOX	1
11	1P52MI-A-060006	07-023-1311	GEARBOX	1
12	152MI-021005	07-023-1312	DOWEL PINφ10×14	2

Fig. 14 Oil Pump



Ref	Code	Part Number	Description	Qty
1	152MI-021019	07-023-1401	BOLT M6×12	1
2	1P52MI-072000	07-023-1402	SEPARATE PLATE COMP. B	1
3	GB894.1-86 10	07-023-1403	CIRCLIP 10	1
4	152MI-070001	07-023-1404	SPROCKET, OIL PUMP	1
5	152MI-073000	07-023-1405	CHAIN, OIL PUMP	1
6	1P52MI-070002	07-023-1406	SEPARATE PLATE A	1
7	152MI-070003	07-023-1407	BOLT M6×28	2
8	152MI-071001	07-023-1408	SHAFT, OIL PUMP	1
9	152MI-071002	07-023-1409	OIL PUMP BODY	1
10	152MI-071005	07-023-1410	OUTER ROTOR, OIL PUMP	1
11	152MI-071006	07-023-1411	DOWEL PIN 4×6.5	1
12	152MI-071003	07-023-1412	COVER PLATE, OIL PUMP	1
13	GB878-85 M3×12	07-023-1413	SCREW M3×12	1
14	152MI-071004	07-023-1414	INNER ROTOR, OIL PUMP	1
15	152MI-071000	07-023-1415	OIL PUMP ASSY	1

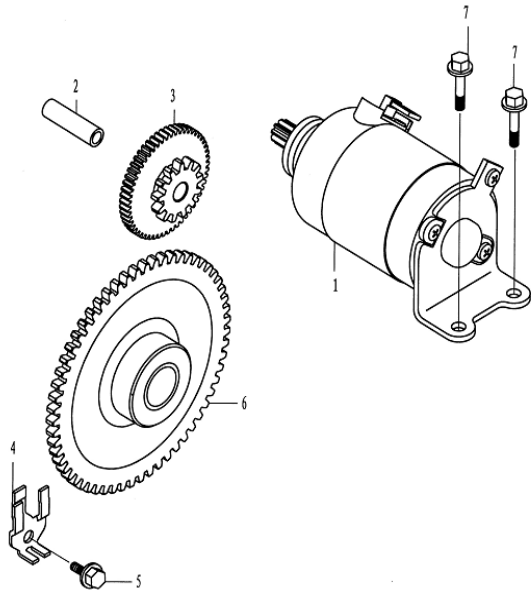
Fig. 15 Water Pump



Ref	Code	Part Number	Description	Qty
1	152MI-080003	07-023-1501	SHAFT, WATER PUMP	1
2	GB/T276-1994 6000/P6	07-023-1502	BEARING 6000/P6	1
3	GB893.1-86 26	07-023-1503	CIRCLIP 26	1
4	152MI-080012	07-023-1504	BOLT M6x32	2
5	152MI-080013	07-023-1505	BOLT M6x22	2
6	152MI-080010	07-023-1506	BOLT M6x10	1
7	152MI-080011	07-023-1507	WASHER 6x12x1	1
8	152MI-080005	07-023-1508	WATER PUMP COVER	1
9	152MI-080004	07-023-1509	GASKET, WATER PUMP COVER	1
10	152MI-080008	07-023-1510	DOWEL PIN 8x14	2
11	152MI-080006	07-023-1511	IMPELLER, WATER PUMP	1
12	152MI-080007	07-023-1512	WATER 7.5x13x1.2	1
13	152MI-081000	07-023-1513	WATER SEAL	1
14	152MI-080009	07-023-1514	OIL SEAL 12x20x5	1
15	GB/T276-1994 6901/P6	07-023-1515	BEARING 6901/P6	1

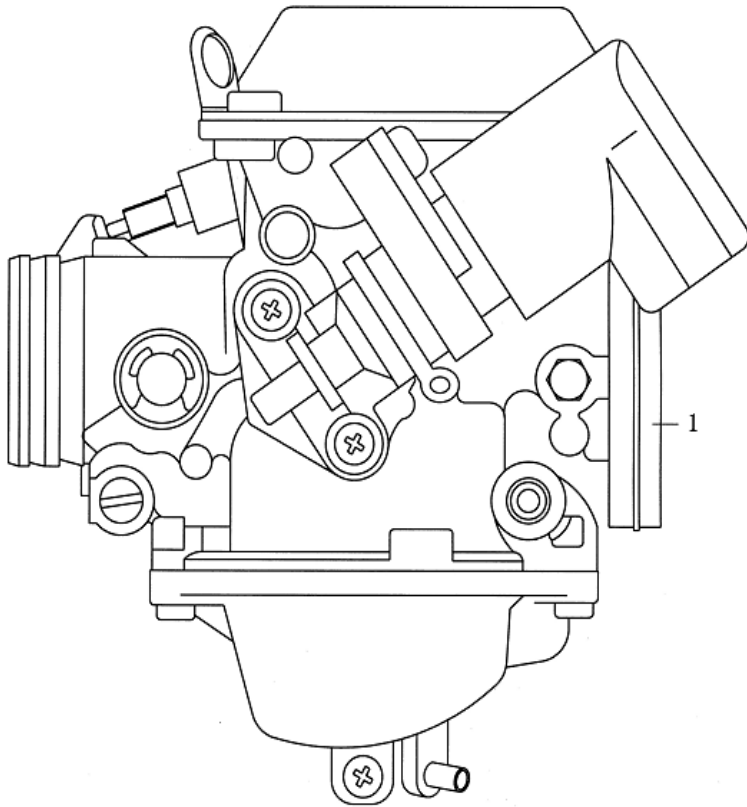


Fig. 16 Starter Motor



Ref	Code	Part Number	Description	Qty
1	1P52MI-093000	07-023-1601	STARTING MOTOR	1
2	152MI-090002	07-023-1602	SHAFT, STARTER GEAR	1
3	152MI-090001	07-023-1603	STARTER GEAR	1
4	152MI-090004	07-023-1604	HOLDER	1
5	152MI-021019	07-023-1605	BOLT M6×12	1
6	152MI-091000	07-023-1606	DRIVEN GEAR	1
7	152MI-090005	07-023-1607	BOLT, M6×16	2

Fig. 17 Carburetor



Ref	Code	Part Number	Description	Qty
1	1P52MI-A-100000	07-023-1701	CARBURETOR	1