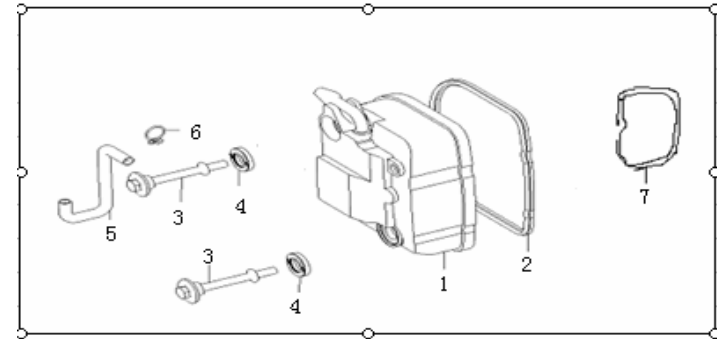


ENGINE PARTS LIST OF QJ150T-12

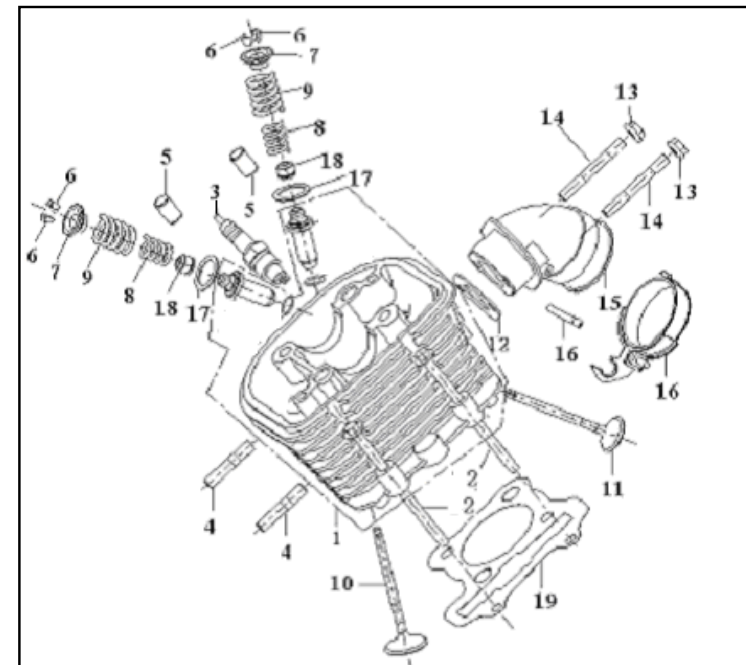
CYLINDER HEAD COVER ASSY

NO	CODE(QJ)	DESCRIPTION	QTY
1	30700J05F000	COVER ,cylinder head	1
2	30704J05F000	GASKET	1
3	201313.005472	SCREW,cylinder head cover	2
4	30707J05F000	GASKET,	2
5	201110.003000	HOSE,oil	1
6	201227.002472	CLIP,hose	1
7	30718J05F000	NUT BUSH,rubber	1



CYLINDER HEAD ASSY.

NO	CODE(QJ)	DESCRIPTION	QTY
1	30500K03F000	CYLINDER HEAD	1
2	30504H03F000	BOLT	2
3	201204.009000	SPARK PLUG	1
4	201216.005472	STUD BOLT	2
5	14107J05F000	PIN DOWEL	2
6	30108J05F000	COTTER, valve	4
7	30106J05F930	UPPER SEAT, valve spring	2
8	30102J05F930	SPRING, inner	2
9	30101J05F930	SPRING, outer	2
10	30201J05F000	EXHAUST VALVE	1
11	30103J05F000	INLET VALVE	1
12	30112J05F000	GASKET, insulator	1
13	304290600065	NUT	2
14	201216.006472	STUD BOLT	2

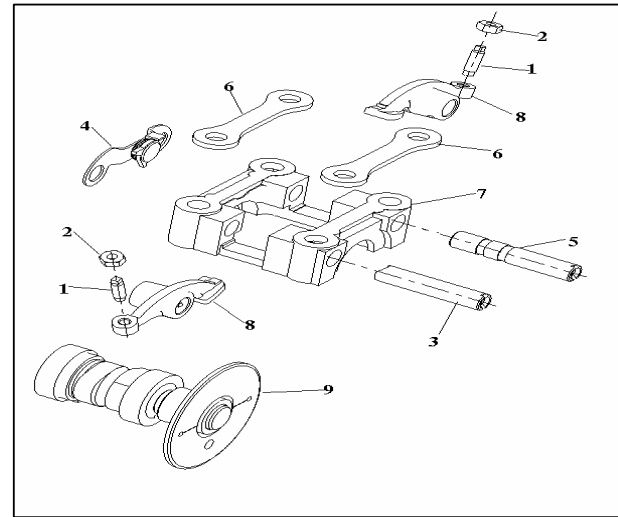


15	202100.001000	INSULATOR,carburetor	1
16	202104.002472	CLAMP	1
17	30105J05F000	SEAT, spring	1
18	30205H03F000	OIL SEAL	2
19	30506K03F000	GASKET,cylinder head	1



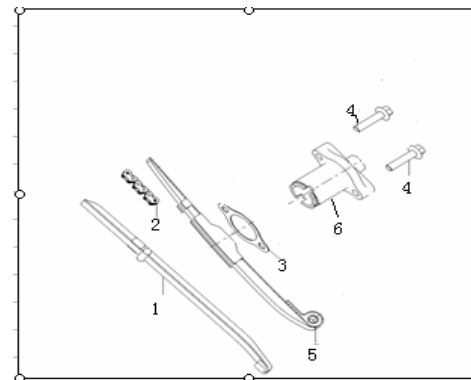
AIR MIX DEVICE

NO	CODE(QJ)	DESCRIPTION	QTY
1	30303H03F000	SCREW,tappet adjusting	2
2	30302H03F930	NUT,tappet adjusting	2
3	203306.013063	SHAFT , EXHAUST ROCKER ARM	1
4	30600H03F000	PLATE, stopper	1
5	203102.002063	ARM,inlet rocker arm	1
6	30310J05F000	GASKET,holder	2
7	30304J05F000	HOLDER,cam shaft	1
8	30301J05F000	ARM,rocker	2
9	30420J05F000	CAMSHAFT ASSY	1



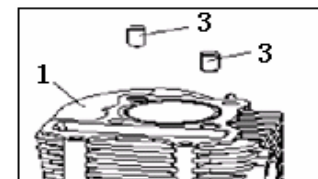
AM CHAIN & TENSIONER ASSY.

NO	CODE(QJ)	DESCRIPTION	QTY
1	27421J05F000	GUIDE CAM CHAIN(→)	1
2	27327J05F000	CAM CHAIN	1
3	205300.002000	GASKET , tensioner	1
4	B01070602563	SCREW	2
5	27200J05F000	GUIDE ASSY.	1
6	27300J05F000	TENSIONOR COMP	1



CYLINDER ASSY

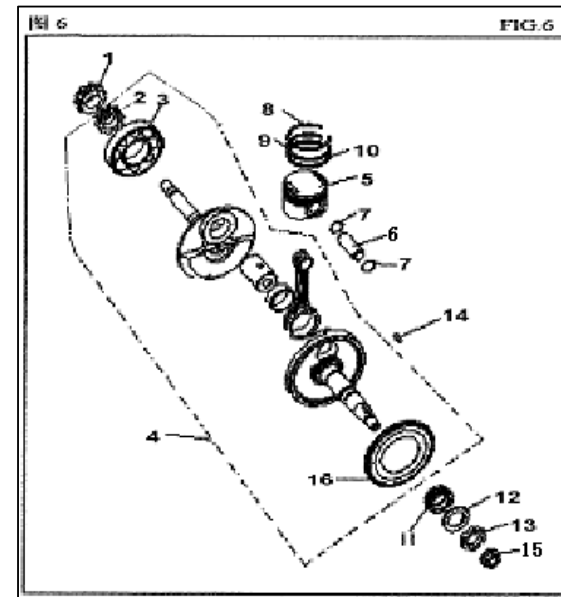
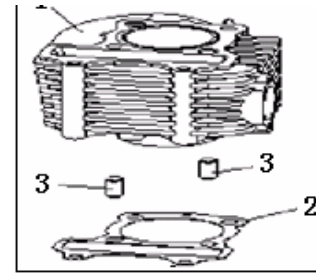
NO	CODE(QJ)	DESCRIPTION	QTY
1	27100K03F000	CYLINDER COMP	1



2	204204.026000	GASKET,cylinder	1
3	14107J05F000	PIN DOWEL	4

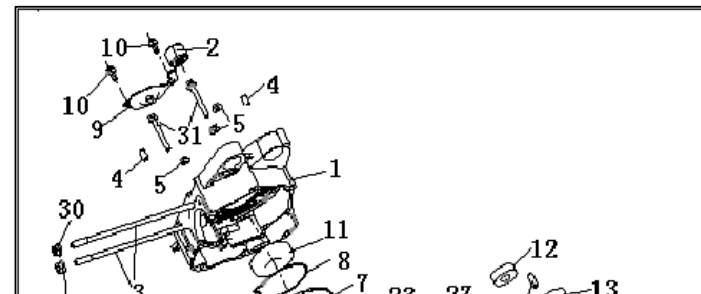
CRANKSHAFT & CONNECTING ROD & PISTON ASSY

NO	CODE(QJ)	DESCRIPTION	QTY
1	15231J05F000	GEAR,starter driven	1
2	15232J05F000	SPROCKET,cam chain	1
3	15210J05F000	ROLLING BEARING	1
4	15200J05F000	CRANKSHAFT & CONROD ASSY	1
5	208300.046062	PISTON	1
6	15105K03F000	PIN,piston	1
7	208308.004161	CLIP	2
8	15305K03F940	RING,first	1
9	15304K03F000	RING,second	1
10	15303K03F000	RING SET,oil	2
11	15208J05F000	SPROCKET,	1
12	15209J05F000	WASHER	1
13	208224.001161	NUT	1
14	15101J01F000	KEY	1
15	15206J05F000	NUT,lock	1
16	15227J05F000	PLATE,oil reverse	1

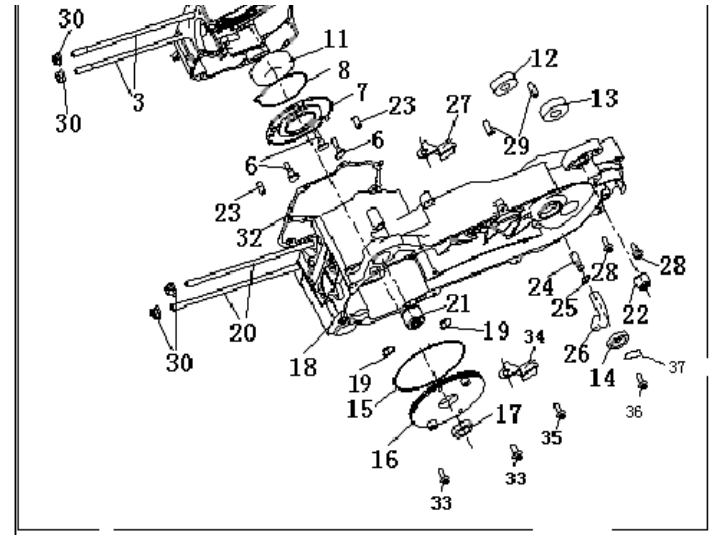


CRANKCASE ASSY

NO	CODE(QJ)	DESCRIPTION	QTY
1	26210K03F000	CRANKCASE ASSY RH	1
2	26501H03F000	BUSH	2
3	26206J05F910	BOLT	2
4	14206J01F000	PIN DOWEL	2
5	B04170000653	NUT	3
6	26313J05F930	SCREW	3



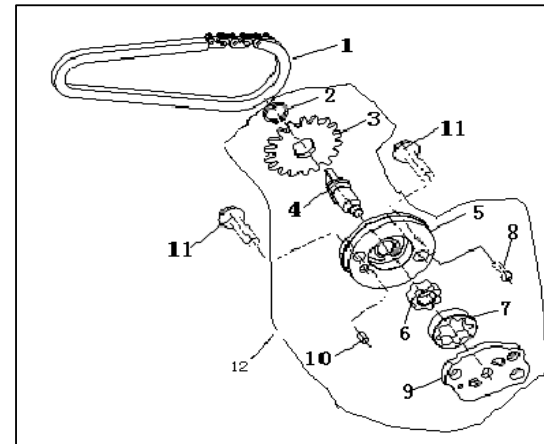
7	26314J05F910	PLATE,stainer	1
8	26209J05F000	O RING	1
9	26311J05F000	CAP,oil pump	1
10	B01090601583	BOLT	2
11	26217J05F000	ROLLER BEARING	1
12	B12016620350	ROLLER BEARING	1
13	B12016620250	ROLLER BEARING	1
14	26106H03F000	OIL SEAL	1
15	26102G03F000	O RING	1
16	26101J05F000	COVER LH,small	1
17	26130J05F000	OIL SEAL	1
18	26110K03F000	CRANKCASE ASSY	1
19	26116G03F000	O RING	2
20	26107J05F910	BOLT	2
21	26501H03F000	BUSH	1
22	26502G02F000	BUSH,ENGINE MOUNTING	1
23	26128J05F000	PIN DOWEL	2
24	26105J05F000	PIPE,breather	1
25	201227.002371	CLIP	1
26	26402J05F000	HOSE,breather	1
27	207224.003472	CLIP	1
28	B01090801583	BOLT	2
29	26123G02F000	PIN DOWEL	2
30	B04070000853	NUT	4
31	B01090605083	BOLT	2
32	206210.001000	GASKET,crankcase	1
33	301310601865	BOLT	2
34	B01070601463	BOLT	1
35	216216.001271	PLATE,stopper	1
36	B01890801563	SCREW	2



37	18105H03F000	BOLT	2
----	--------------	------	---

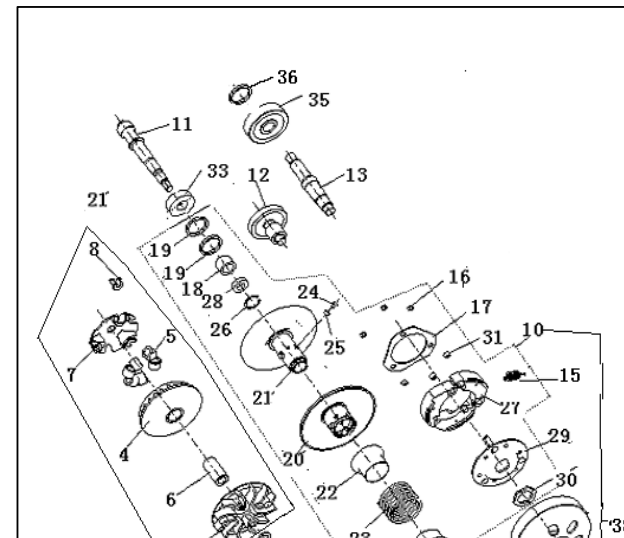
OIL PUMP ASSY

NO	CODE(QJ)	DESCRIPTION	QTY
1	19114J05F000	CHAIN OIL PUMP	1
2	B08010001000	WASHER	1
3	19110J05F000	SPROCKET,oil pump driven	1
4	19107J05F000	SHAFT,oil pump	1
5	19102J05F000	BODY,oil pump	1
6	19108H03F000	ROTOR,oil pump inner	1
7	19105H03F000	ROTOR,oil pump outer	1
8	B02000301223	SCREW	1
9	19103J05F000	CAP , oil pump	1
10	19109J05F000	PIN DOWEL	1
11	301310602565	BOLT	2
12	19000J05F000	OLL PUMP ASSY	1

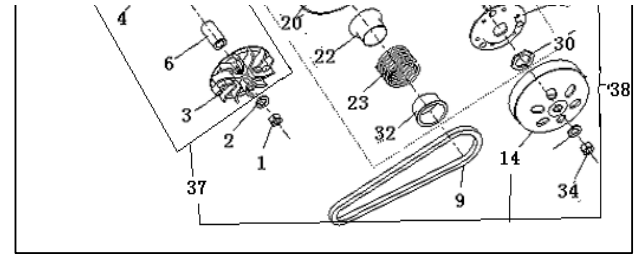


CLUTCH ASSY

NO	CODE(QJ)	DESCRIPTION	QTY
1	15206H03F000	NUT	1
2	B07010001200	WASHER,spring	2
3	24111J05F000	FACE, fixed drive	1
4	24101J05F000	FACE COMP, fixed drive	1
5	24120J05F000	ROLLER	6
6	24140J05F000	COLLAR	1
7	24151J05F930	PLATE, movable drive	1
8	24130J05F000	DAMPER	3
9	24160J05F000	V BELT, drive	1
10	24210J05F000	DRIVEN PLATE ASSY	1
11	214300.003000	SHAFT ,drive	1

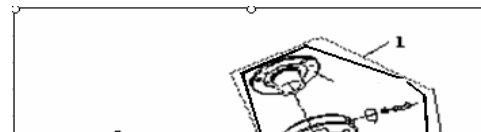


12	214103.009000	SHAFT ,idle	1
13	17201J05F000	SHAFT,rear axle	1
14	24230H03F000	HOUSING,clutch	1
15	24224H03F000	SPRING	3
16	B08030000600	CIRCLIP	3
17	24266H03F920	PLATE,clutch	1
18	24203J05F000	BEARING	1
19	24216H03F000	OIL SEAL	2
20	24211H03F000	FACE,movable driven	1
21	24212J05F000	FACE COMP,fixed driven	1
22	24213H03F930	SEAT,spring	1
23	24240H03F000	SPRING	1
24	24246H03F000	AXLE	3
25	24217H03F000	BEARING	3
26	B08000002600	CIRCLIP	1
27	24231H03F000	CLUTCH SHOE	3
28	24245H03F000	BEARING NSE NACHI JAPAN	1
29	24211H03F000	DRIVER PLATE	1
30	24242H03F000	NUT	1
31	24225H03F000	RUBBER CLUTCH	3
32	24244H03F000	SEAT,spring	1
33	B12016620450	BEARING	1
34	18330H03F930	NUT	1
35	17217J05F000	GEAR	1
36	B08010002000	CIRCLIP	1
37	24100J05F000	DRIVE ASSY	1
38	24001J05F000	SHIFT ASSY	1

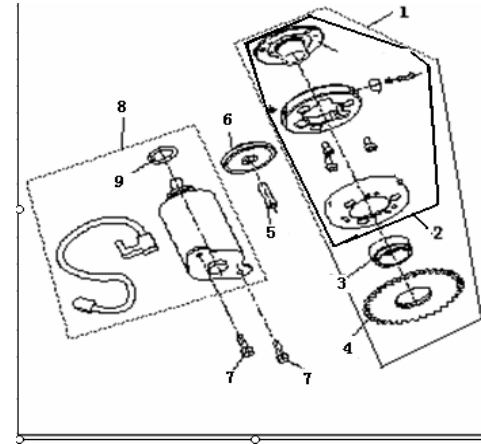


ELECTRIC STARTER A:

NO	CODE(QJ)	DESCRIPTION	QTY
----	----------	-------------	-----

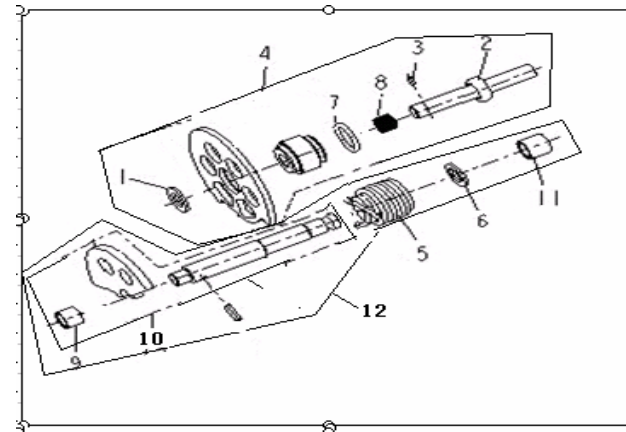


1	34400J05F000	CLUTCH SET , starter	1
2	34110J05F000	CLUTCH COMP	1
3	34124H03F000	BEARING , needle	1
4	218100.011371	GEAR COMP , starter clutch	1
5	34146J05F000	SHAFT , shaft starter idle gear	1
6	34141J05F000	GEAR , starter idle	1
7	301310601865	BOLT	2
8	218100.011472	MOTOR ASSY , starting	1
9	34254J05F000	O RING	1



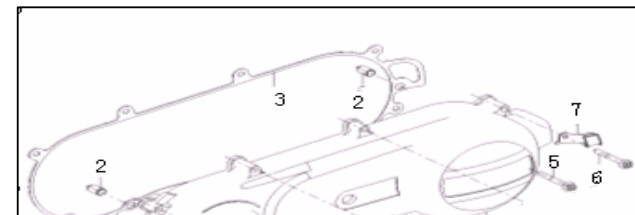
KICK STARTER ASSY

NO	CODE(QJ)	DESCRIPTION	QTY
1	17805H03F000	WASHER	1
2	17811J05F000	GEAR SHAFT	1
3	B090103008B0	PIN	1
4	17806H03F000	GEAR ASSY, starter	1
5	17718J05F930	TWEAK SPRING	1
6	17402H03F000	PLATE	1
7	17809H03F000	SPRING	1
8	17412H03F000	SPRING	1
9	17433H03F000	BEARING COVER, starterI	1
10	17400J05F000	SHAFT ASSY, starter	1
11	17434H03F000	BEARING COVER, starterII	1
12	216100.101000	KICK STARTER ASSY	1

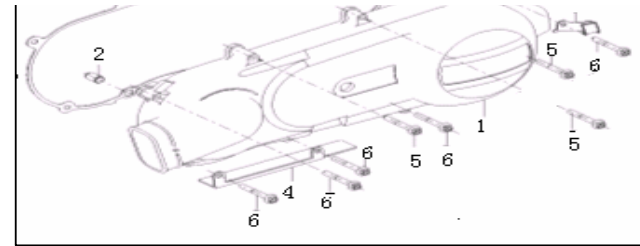


COVER LH ASSY

NO	CODE(QJ)	DESCRIPTION	QTY
1	207200.018081	COVER,clutch	1
2	14107J05F000	PIN DOWEL	2
3	207208.007000	GASKET , cankcase LH	1

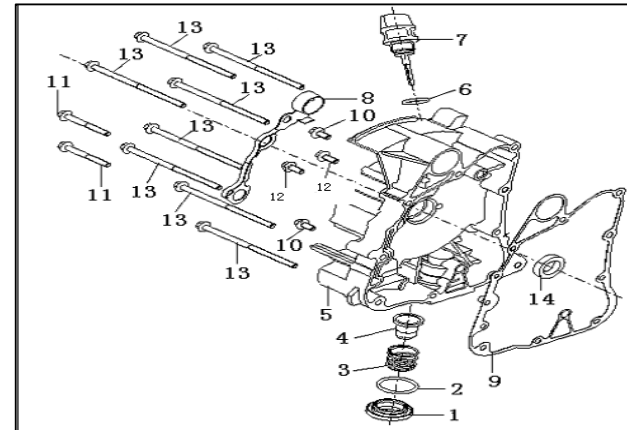


4	207225.004472	PLATE , protector	1
5	301310604565	BOLT	3
6	301310603565	BOLT	5
7	222218.003472	CLIP	1



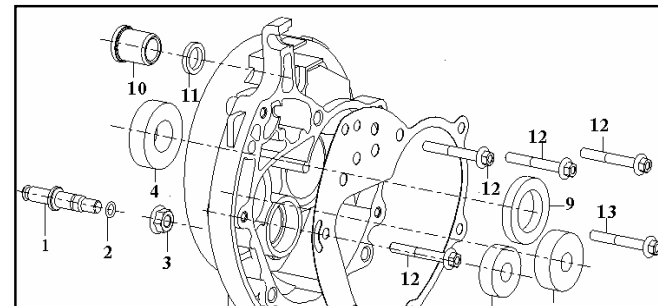
COVERCASE RH ASSY

NO	CODE(QJ)	DESCRIPTION	QTY
1	26306H03F000	PLUG,drain	1
2	26307H03F000	O RING	1
3	26305H03F000	SPRING,stainer	1
4	26308J01F000	STRAINER,oil	1
5	14201J05F000	COVER,crankcase RH	1
6	14215J01F000	O RING	1
7	207304.008081	GAUGE,oil level	1
8	14220J05F910	CLIP	1
9	207303.008000	GASKET,crankcase cover RH	1
10	B01090601263	BOLT	2
11	B01080501263	BOLT	2
12	B01070602063	BOLT	2
13	30504H03F000	BOLT	8
14	26130J05F000	OIL SEAL	1

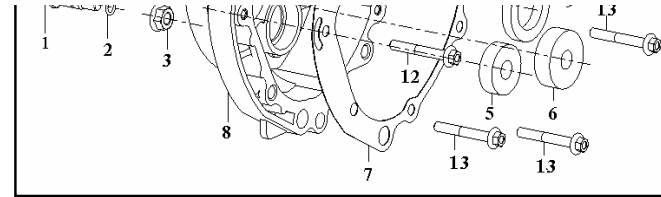


COVER GEAR BOX ASSY

NO	CODE(QJ)	DESCRIPTION	QTY
1	18114J05F930	PIN	1
2	18112H03F000	O RING	1
3	B04170000853	NUT	1
4	B12016600450	ROLLER BEARING	1
5	B12016620150	ROLLER BEARING	1
6	B12016630150	ROLLER BEARING	1

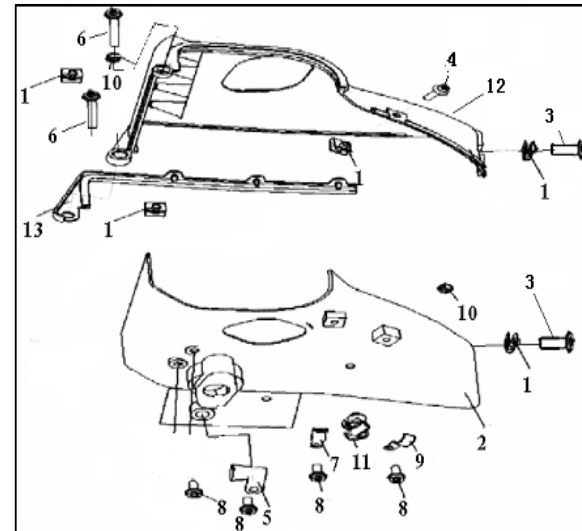


7	214201.002000	GASKET,gear box	1
8	18101J05F000	COVER,gear box	1
9	18102H03F000	OIL SEAL	1
10	18103J05F000	BUSH	1
11	18106J05F000	OIL SEAL	1
12	301310604565	BOLT	4
13	B01070605561	BOLT	3



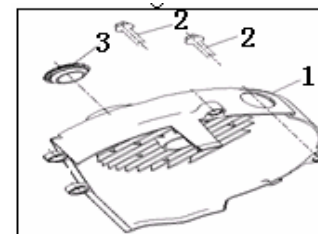
SHROUD ASSY

NO	CODE(QJ)	DESCRIPTION	QTY
1	20312J05F910	CLIP	4
2	20307J05FT10	SHROUD,upper	1
3	B01890601663	SCREW	2
4	B01890601663	SCREW	1
5	222218.002472	CLIP	1
6	B01890601663	SCREW	2
7	222218.003472	CLIP	1
8	B01090602563	SCREW	4
9	222218.004472	CLIP	1
10	20327J05F000	DOWEL	2
11	20313J05F000	NENON CLIP	1
12	20302J05FT10	SHROUD,lower	1



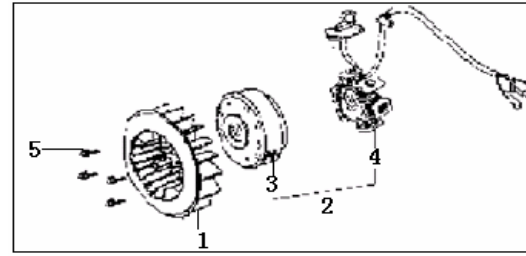
COVER FAN ASSY

NO	CODE(QJ)	DESCRIPTION	QTY
1	20201J05FT10	COVER , fan	1
2	B01890602563	SCREW	2
3	20204J05F000	CAP,OBSERVE	2



MAGNETO ASSY

NO	CODE(QJ)	DESCRIPTION	QTY
1	20401J05F000	FAN ASSY	1
2	223100.004000	MAGNETO ASSY	1
3	34301J05F000	FLY WHEEL ASSY	1
4	34310J05F000	COIL ASSY	1
5	B01080601863	BOLT	4



CARBURETOR ASSY

NO	CODE(QJ)	DESCRIPTION	QTY
1	32506J05F000	VALVE,PISTON	1
2	224208.027000	NEEDLE,iet	1
3	32608J05F000	ENRICH VALVE	1
4	224202.042000	JET , main	1
5	32621J05F000	PIN , float	1
6	32622J05F000	FLOAT	1
7	32701J05F000	GASKET , float chamber	1
8	224100.104000	CARBURETOR ASSY	1

