

# **150CC DIAMO® ENGINE**

## **PARTS CATALOG**

*Second Edition June 2006*



**The information and diagrams included in this catalog are the exclusive property of LS MotorSports, LLC and may not be reproduced in any media without the express written consent of LS MotorSports, LLC. For more information contact:**

LS MotorSports, LLC  
12505 Reed Rd, Suite 145  
Sugar Land, TX 77478  
281-277-6140

**Information and prices contained in this publication is subject to change without notice.  
For the most up to date information please contact DIAMO USA**

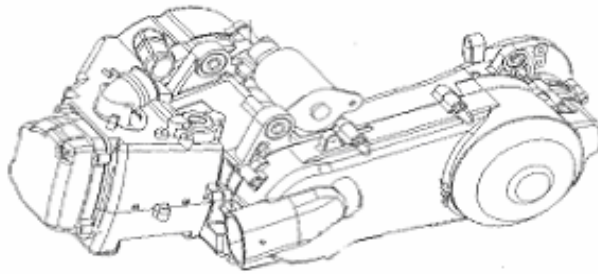


[www.DIAMOUSA.com](http://www.DIAMOUSA.com)

# CONTENTS

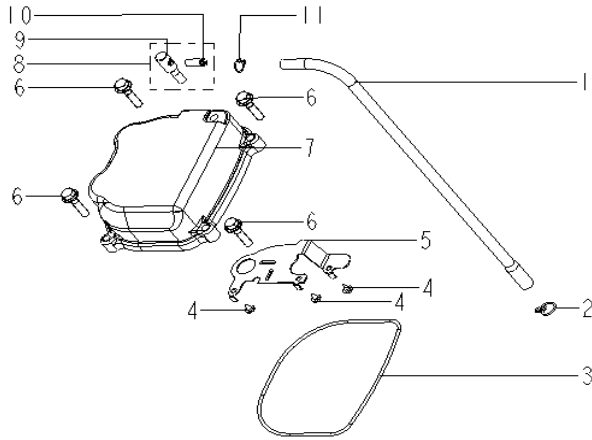
| PAGE | DIAGRAM | TITLE                     |
|------|---------|---------------------------|
| 4    | 0       | ENGINE ASSY               |
| 5    | 37      | CYLINDER HEAD COVER       |
| 6    | 38      | CYLINDER HEAD             |
| 7    |         | CYLINDER HEAD CONT.       |
| 8    | 39      | CYLINDER                  |
| 9    | 40      | LEFT CRANKCASE            |
| 10   |         | LEFT CRANKCASE CONT.      |
| 11   | 41      | CRANKSHAFT CONNECTING ROD |
| 12   | 42      | RIGHT CRANKCASE           |
| 13   | 43      | ELECTRIC STARTER          |
| 14   | 44      | RIGHT CRANKCASE COVER     |
| 15   | 45      | OIL PUMP                  |
| 16   | 46      | TRANSMISSION              |
| 17   |         | TRANSMISSION CONT.        |
| 18   | 47      | LEFT CRANKCASE COVER      |
| 19   | 48      | CARBURETOR                |
| 20   | 49      | MAGNETO                   |

Engine



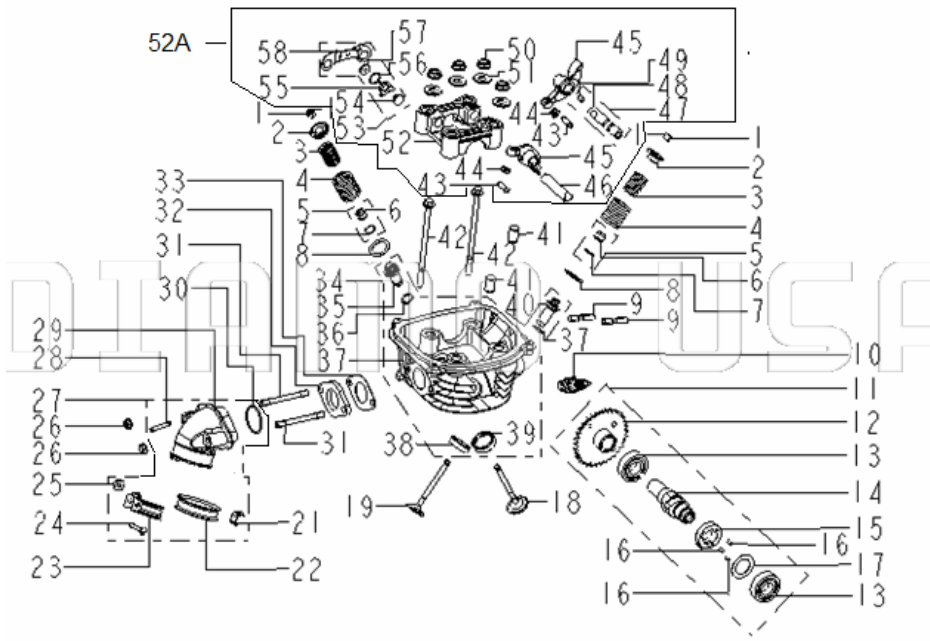
| REF | CODE         | PART NUMBER | DESCRIPTION |
|-----|--------------|-------------|-------------|
| 1   | C1A001A7G5C0 | 55-00-0001  | Engine      |

### Cylinder Head Cover



| REF NO. | CODE         | PART NUMBER | DESCRIPTION                     |
|---------|--------------|-------------|---------------------------------|
| 1       | C2P107C41520 | 55-37-3701  | Air Pipe                        |
| 2       | C2P112C11520 | 55-37-3702  | Clip Air Pipe B                 |
| 3       | C2P102C21520 | 55-37-3703  | Gasket, Valve Cover             |
| 4       | B845VVV42008 | 55-37-3704  | Self Taping ST4.2x8             |
| 5       | C2P103C21520 | 55-37-3705  | Air Pressure Plate              |
| 6       | B5787VV06025 | 55-37-3706  | Bolt, Cylinder Head Cover M6x25 |
| 7       | C2P101C21520 | 55-37-3707  | Cylinder Head Cover             |
| 8       | C2A110C11520 | 55-37-3708  | Air Pipe                        |
| 9       | C2P109C11520 | 55-37-3709  | Clip Air Pipe A                 |
| 10      | C2P108C11520 | 55-37-3710  | Clip Air Pipe B                 |

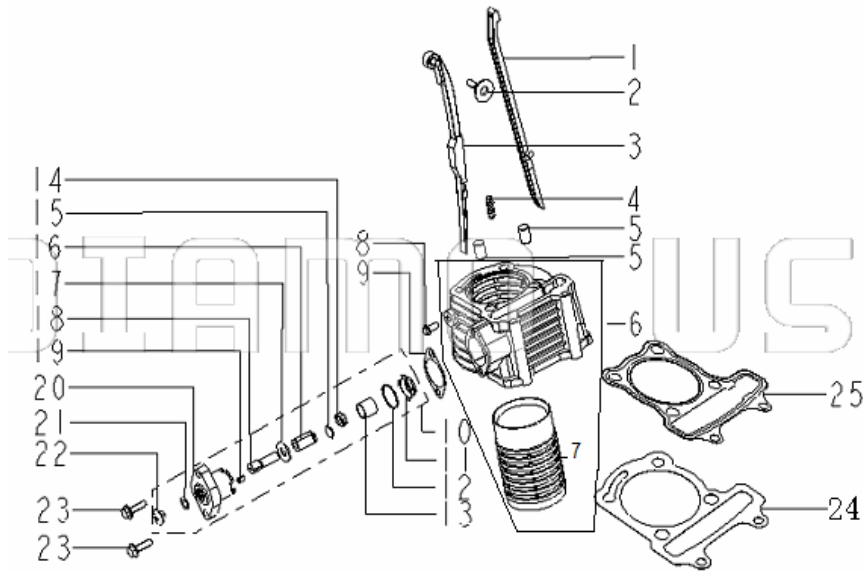
### Cylinder Head



| REF NO. | CODE          | PART NUMBER | DESCRIPTION                               |
|---------|---------------|-------------|---|
| 1       | C4P141B11520  | 55-38-3801  | Cotter, Valve                             |
| 2       | C4P142B11520  | 55-38-3802  | Retainer, Valve Spring                    |
| 3       | C4P144B11520  | 55-38-3803  | Inner Spring, Valve                       |
| 4       | C4P143B11520  | 55-38-3804  | Outer Spring, Valve                       |
| 5       | C4A141B11520  | 55-38-3805  | Oil Seal, Valve                           |
| 6       | C4P145C11520  | 55-38-3806  | NA- incl in 55-38-3805                    |
| 7       | C4P146C11520  | 55-38-3807  | NA- incl in 55-38-3805                    |
| 8       | C4P147C11520  | 55-38-3808  | Seat Valve Spring                         |
| 9       | C4P148C11520  | 55-38-3809  | Stud Bolt                                 |
| 10      | C4A103B11520  | 55-38-3810  | Spark Plug                                |
| 11      | C4A120A11520  | 55-38-3811  | Camshaft Assy                             |
| 12      | C4A121A11520  | 55-38-3812  | Sprocket, Camshaft                        |
| 13      | B276VVV16002  | 55-38-3813  | Ball Bearing 16002                        |
| 14      | C4A122A11520  | 55-38-3814  | Camshaft                                  |
| 15      | C4P123A11520  | 55-38-3815  | Outer Ring, Single Direction Turning      |
| 16      | C4P124A11520  | 55-38-3816  | Roller                                    |
| 17      | C4P125A11520  | 55-38-3817  | Adjusting Shim                            |
| 18      | C4P102A21570  | 55-38-3818  | Intake Valve                              |
| 19      | C4P103A21570  | 55-38-3819  | Exhaust Valve                             |
| 20      | C4A132C11520  | 55-38-3820  | NA  |
| 21      | C4P131B11520  | 55-38-3821  | Hose Clamp - incl. in 55-38-3827          |
| 22      | C4P132C11520  | 55-38-3822  | Positioning Clip - incl. in 55-38-3827    |
| 23      | C4P133C11520  | 55-38-3823  | Bracket, Hose Clamp - incl. in 55-38-3827 |
| 24      | B818VVV04025  | 55-38-3824  | Screw Bolt M4x25- incl. in 55-38-3827     |
| 25      | C4P134C11520  | 55-38-3825  | Nut, Hose Clamp - incl. in 55-38-3827     |
| 26      | B6177VVV06000 | 55-38-3826  | Nut                                       |
| 27      | C4A131B11520  | 55-38-3827  | Intake Manifold Assy.                     |
| 28      | C4P135C11520  | 55-38-3828  | Inlet Connector - incl. in 55-38-3827     |
| 29      | C4P130B11520  | 55-38-3829  | Inlet Pipe - incl. in 55-38-3827          |
| 30      | C4P136C11520  | 55-38-3830  | O-Ring - incl. in 55-38-3827              |
| 31      | B901VVV060060 | 55-38-3831  | Stud Bolt                                 |
| 32      | C4P137C11520  | 55-38-3832  | Heat Insulating Sheet                     |
| 33      | C4P138C11520  | 55-38-3833  | Heat Spacer Plate                         |
| 34      | C4A101A21570  | 55-38-3834  | Cylinder Head Block Assy                  |
| 35      | C4P070A11570  | 55-38-3835  | Guide, Intake Valve - incl. in 55-38-3834 |
| 36      | B3452AV08018  | 55-38-3836  | O-Ring incl. in 55-38-3834                |
| 37      | C4P072A21570  | 55-38-3837  | Cylinder Head Block incl. in 55-38-3834   |
| 38      | C4P074A11570  | 55-38-3838  | Valve Seat, Exhaust incl. in 55-38-3834   |

|     |              |             |  |
|-----|--------------|-------------|--|
| 39  | C4P073B11570 | 55-38-3839  | Valve Seat, Intake incl. in 55-38-3834         |
| 40  | C4P071A11520 | 55-38-3840  | Guide, Exhaust Valve incl. in 55-38-3834       |
| 41  | C4P075C11520 | 55-38-3841  | Dowel Pin                                      |
| 42  | C4P100A21520 | 55-38-3842  | Bolt, Hexagon Flange                           |
| 43  | C4P103C11520 | 55-38-3843  | Adjusting Screw, incl. in 55-38-3852A          |
| 44  | C4P102C11520 | 55-38-3844  | Locating Nut, incl. in 55-38-3852A             |
| 45  | C4A101A11520 | 55-38-3845  | Rocker Arm, Valve incl. in 55-38-3852A         |
| 46  | C4A102A11520 | 55-38-3846  | Rocker Arm Shaft, incl. in 55-38-3852A         |
| 47  | C4A103A11520 | 55-38-3847  | Shaft. Rocker Arm incl. in 55-38-3852A         |
| 48  | C4A104A11520 | 55-38-3848  | Shaft, incl. in 55-38-3852A                    |
| 49  | C4P104C11520 | 55-38-3849  | Plug, incl. in 55-38-3852A                     |
| 50  | C4P101A11520 | 55-38-3850  | Fixing Block, Camshaft incl. in 55-38-3852A    |
| 51  | C4P105C11520 | 55-38-3851  | Non-Return Stopper incl. in 55-38-3852A        |
| 52  | C4P106C11520 | 55-38-3852  | Connecting Shaft, Braking incl. in 55-38-3852A |
| 52A |              | 55-38-3852A | Rocker Arm Assy                                |
| 53  | C4P107C11520 | 55-38-3853  | Fork, Braking incl. in 55-38-3852A             |
| 54  | C4P108C11520 | 55-38-3854  | Torsion Spring, Braking incl. in 55-38-3852A   |
| 55  | C4P109C11520 | 55-38-3855  | Center Wheel, Braking incl. in 55-38-3852A     |
| 56  | C4P111C11520 | 55-38-3856  | Permanent Seat, Braking incl. in 55-38-3852A   |
| 57  | B6177VV08000 | 55-38-3857  | Nut M8 incl. in 55-38-3852A                    |
| 58  | C4P105C11520 | 55-38-3858  | Washer incl. in 55-38-3852A                    |

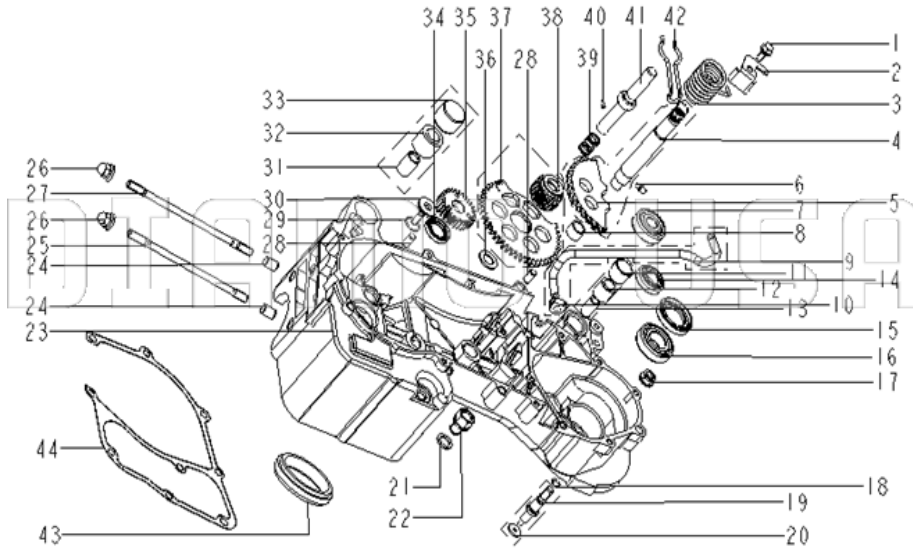
### Cylinder



| REF NO. | CODE         | PART NUMBER | DESCRIPTION                                 |
|---------|--------------|-------------|---|
| 1       | C4P106C11520 | 55-39-3901  | Guide, Cam Chain                            |
| 2       | C4P306C11520 | 55-39-3902  | Bolt, Pull Lever                            |
| 3       | C4A304B21520 | 55-39-3903  | Tensioner, Cam Chain                        |
| 4       | C4A303B21570 | 55-39-3904  | Chain, Camshaft                             |
| 5       | C4P305C11520 | 55-39-3905  | Dowel Pin                                   |
| 6       | C4P301A21570 | 55-39-3906  | Cylinder Block                              |
| 7       | C4P302A21570 | 55-39-3907  | NA - incl. in 55-39-3907                    |
| 8       | B5787VV06012 | 55-39-3908  | Bolt M6x12                                  |
| 9       | C4P342B11520 | 55-39-3909  | Gasket, Adjuster                            |
| 10      | C4A341B11520 | 55-39-3910  | Adjuster Assy, Sprocket                     |
| 11      | C4P343C11520 | 55-39-3911  | Locating Plate - incl in 55-39-3910         |
| 12      | C4P344C11520 | 55-39-3912  | Circlip - incl in 55-39-3910                |
| 13      | C4P345C11520 | 55-39-3913  | Bush - incl in 55-39-3910                   |
| 14      | C4P346C11520 | 55-39-3914  | Top Cover - incl in 55-39-3910              |
| 15      | C4P347C11520 | 55-39-3915  | Shim, Top Cover - incl in 55-39-3910        |
| 16      | C4P348C11520 | 55-39-3916  | Adjusting Nut - incl in 55-39-3910          |
| 17      | C4P349C11520 | 55-39-3917  | Adjusting Washer - incl in 55-39-3910       |
| 18      | C4P350C11520 | 55-39-3918  | Adjusting Bolt - incl in 55-39-3910         |
| 19      | C4P351C11520 | 55-39-3919  | Washer, Conical Spring - incl in 55-39-3910 |
| 20      | C4P341B11520 | 55-39-3920  | Case, Adjuster - incl in 55-39-3910         |
| 21      | C4P352C11520 | 55-39-3921  | O-Ring - incl in 55-39-3910                 |
| 22      | C4P353C11520 | 55-39-3922  | Positioning Screw - incl in 55-39-3910      |
| 23      | B5787VV0620  | 55-39-3923  | Bolt M6x20                                  |
| 24      | C4P307C21570 | 55-39-3924  | Gasket, Cylinder                            |
| 25      | C4P308C21570 | 55-39-3925  | Gasket, Cylinder Head                       |



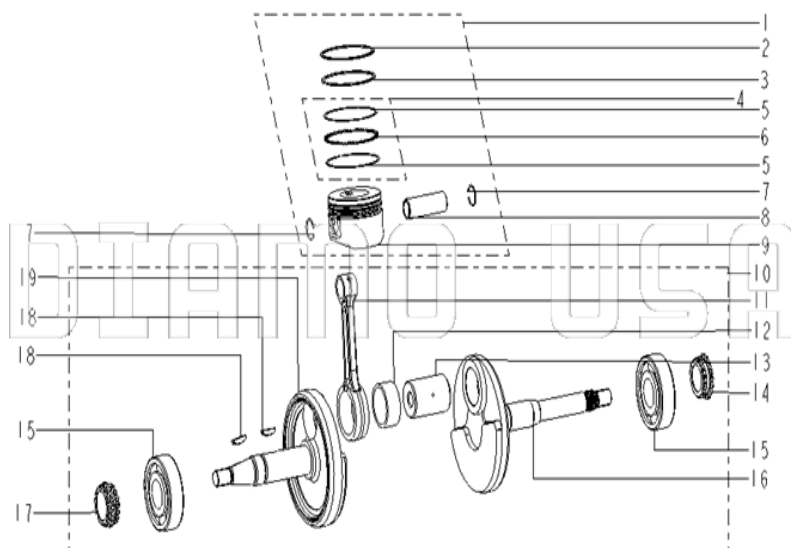
### Left Crankcase



| REF NO. | CODE         | PART NUMBER | DESCRIPTION                              |
|---------|--------------|-------------|--|
| 1       | B5787VV06014 | 55-40-4001  | Bolt M6X14                               |
| 2       | C3P071C11520 | 55-40-4002  | Return Stopplate, Kick Lever             |
| 3       | C3P072C11520 | 55-40-4003  | Spring, Starter                          |
| 4       | C3P051A21570 | 55-40-4004  | Kick Shaft                               |
| 4A      |              | 55-40-4004A | Kick Shaft Assy                          |
| 5       | C3P052A21520 | 55-40-4005  | Kick Gear - incl in 55-40-4004           |
| 6       | C3P073C11520 | 55-40-4006  | Special Pin - incl in 55-40-4004         |
| 7       | C3P075B11520 | 55-40-4007  | Bearing 630/P63A                         |
| 8       | C3P074C11520 | 55-40-4008  | Bush                                     |
| 9       | C2P220C41520 | 55-40-4009  | Air Pipe - incl in 55-40-4009A           |
| 9A      | C2P220C41520 | 55-40-4009A | Air Pipe Assy                            |
| 10      | C2P221C11520 | 55-40-4010  | Rubber Bush - incl in 55-40-4009A        |
| 11      | C2P222C11520 | 55-40-4011  | Outer Liner                              |
| 12      | C2P223C11520 | 55-40-4012  | Damper Bush Assy                         |
| 13      | C2P224C11520 | 55-40-4013  | Inner Liner                              |
| 14      | B276VVV06002 | 55-40-4014  | Bearing 6002/P63A                        |
| 15      | C2P225C11520 | 55-40-4015  | Oil Seal                                 |
| 16      | B276VVV06004 | 55-40-4016  | Bearing 6004-2LS/63a                     |
| 17      | B6170VV06000 | 55-40-4017  | Nut, Hexagon Flange                      |
| 18      | G9P001C11520 | 55-40-4018  | O-Ring                                   |
| 19      | G9P002C11520 | 55-40-4019  | Locating Pin, Brake Drum                 |
| 20      | G9P003C11520 | 55-40-4020  | Pin Cap, Brake Drum - incl in 55-40-4019 |
| 21      | C2P226C11520 | 55-40-4021  | Washer                                   |
| 22      | C2P227C11520 | 55-40-4022  | Drainage Bolt                            |
| 23      | C2P201A61570 | 55-40-4023  | LFT Crankcase                            |
| 24      | C3P058C11570 | 55-40-4024  | Dowl Pin                                 |
| 25      | C2P231C11520 | 55-40-4025  | Stud Bolt                                |
| 26      | C2P204B61520 | 55-40-4026  | Cap Nut                                  |
| 27      | C2P228C11520 | 55-40-4027  | Stud Bolt                                |
| 28      | C2P231C11520 | 55-40-4028  | Dowl Pin                                 |
| 29      | C2P230C21520 | 55-40-4029  | Locating Pin                             |
| 30      | C3P076C11520 | 55-40-4030  | NA -incl in 55-40-4029                   |
| 31A     |              | 55-40-4031A | Bushing                                  |
| 31      | C3P077C11520 | 55-40-4031  | NA - incl in 55-40-4031A                 |
| 32      | C3P078C11520 | 55-40-4032  | NA - incl in 55-40-4031A                 |
| 33      | C3P079C11520 | 55-40-4033  | NA - incl in 55-40-4031A                 |
| 34      | C3P080C11520 | 55-40-4034  | Oil Seal, Crank                          |
| 35      | C3P081C11520 | 55-40-4035  | Gear, Crank                              |
| 36      | C3A055C11520 | 55-40-4036  | Washer                                   |
| 37A     |              | 55-40-4037A | Driven Gear Assy, Kickstart              |

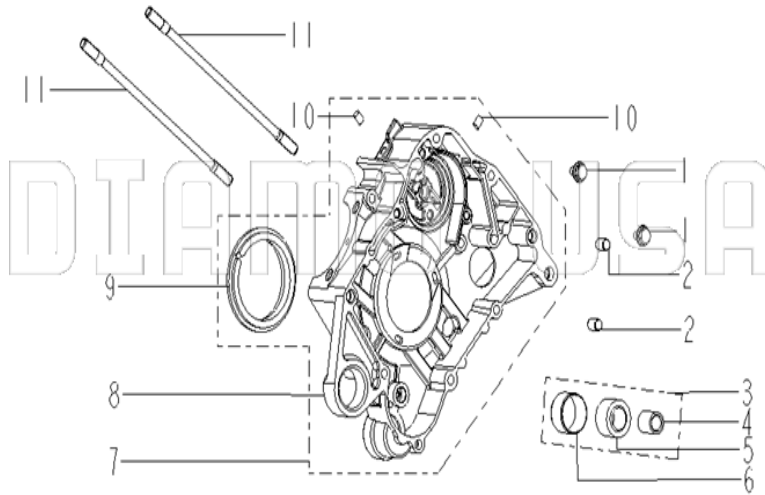
|    |              |            |   |
|----|--------------|------------|---|
| 37 | C3P053A11520 | 55-40-4037 | NA - Incl in 55-40-4037A                  |
| 38 | C3P055C11520 | 55-40-4038 | NA - Incl in 55-40-4037A                  |
| 39 | C3P054A11520 | 55-40-4039 | NA - Incl in 55-40-4037A                  |
| 40 | C3P055A11520 | 55-40-4040 | NA - Incl in 55-40-4037A                  |
| 41 | C3P056B11520 | 55-40-4041 | NA - Incl in 55-40-4037A                  |
| 42 | B119VVV03008 | 55-40-4042 | NA - Incl in 55-40-4037A                  |
| 42 | C3P057A11519 | 55-40-4043 | NA  |
| 43 | C3P057A11520 | 55-40-4044 | Gasket, Right Crankcase to Left Crankcase |

### Crankshaft, Connecting Rod



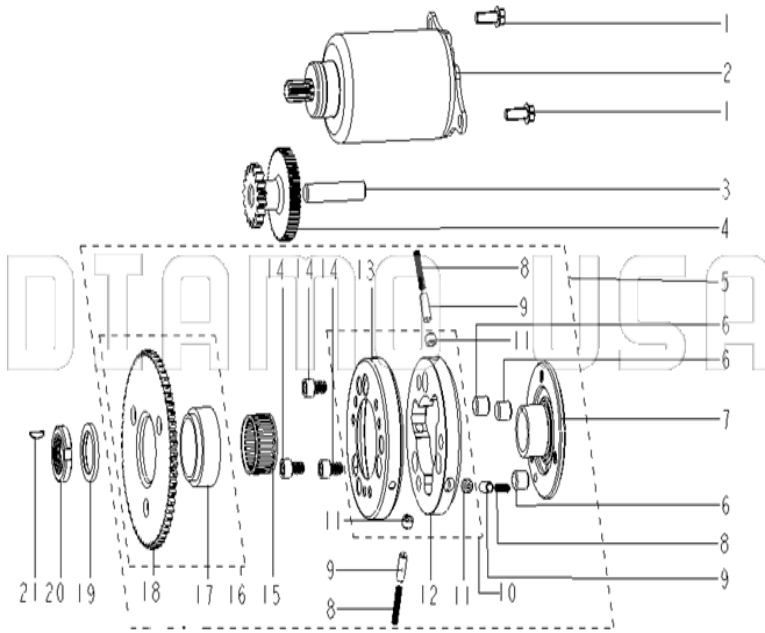
| REF NO. | CODE         | PART NUMBER | DESCRIPTION                         |
|---------|--------------|-------------|-------------------------------------|
| 1       | C3A202A21570 | 55-41-4101  | Piston & Ring Assy                  |
| 2       | C3P202A11570 | 55-41-4102  | 1st Chromium Plating Ring           |
| 3       | C3P203A11570 | 55-41-4103  | 2nd Phosphide Ring                  |
| 4       | C3A201A11570 | 55-41-4104  | NA                                  |
| 5       | C3P221B11570 | 55-41-4105  | Scrapper Ring                       |
| 6       | C3P222B11570 | 55-41-4106  | Complex Ring                        |
| 7       | C3P204C11520 | 55-41-4107  | Circlip, Piston Pin                 |
| 8       | C3P205C11570 | 55-41-4108  | Piston Pin                          |
| 9       | C3P201A11570 | 55-41-4109  | Piston                              |
| 10      | C3A203A21520 | 55-41-4110  | Crankshaft & Connecting-Rod Assy    |
| 11      | C3P207A21520 | 55-41-4111  | Connecting-Rod - incl in 55-41-4110 |
| 12      | C3A210A1152  | 55-41-4112  | Needle Bearing - incl in 55-41-4110 |
| 13      | C3P208A11520 | 55-41-4113  | Crank Pin - incl in 55-41-4110      |
| 14      | C3P211B11520 | 55-41-4114  | Left Sprocket - incl in 55-41-4110  |
| 15      | C3A204A11520 | 55-41-4115  | Ball Bearing - incl in 55-41-4110   |
| 16      | C3P209A21520 | 55-41-4116  | Left Crank - incl in 55-41-4110     |
| 17      | C3P212B11520 | 55-41-4117  | Right Sprocket - incl in 55-41-4110 |
| 18      | C3P215C11520 | 55-41-4118  | Woodruff Key - incl in 55-41-4110   |
| 19      | C3P206A21520 | 55-41-4119  | Right Crank - incl in 55-41-4110    |

### Right Crankcase



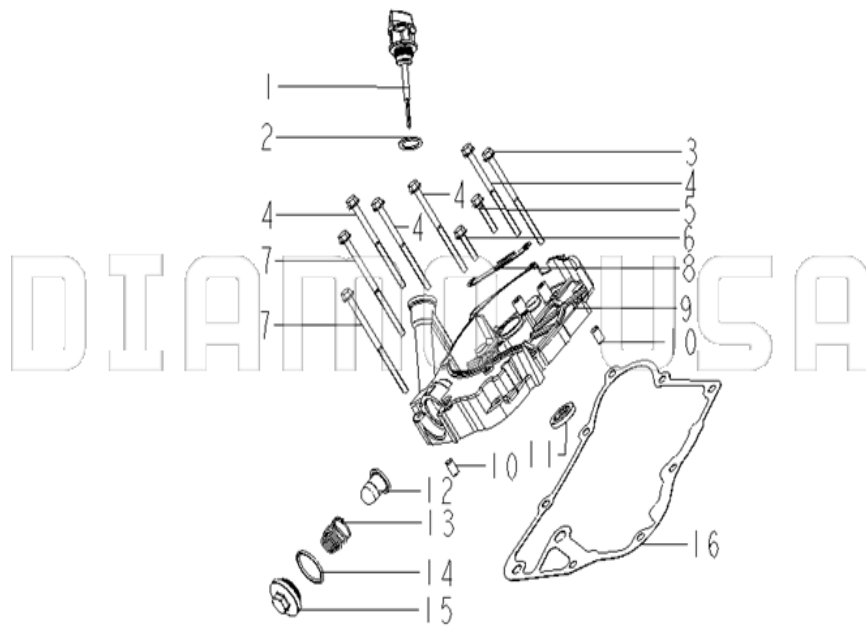
| REF NO. | CODE         | PART NUMBER | DESCRIPTION  |
|---------|--------------|-------------|--|
| 1       | B5781VV06012 | 55-42-4201  | Bolt M6X12   |
| 2       | C2P331C11520 | 55-42-4202  | Dowel Pin  |
| 3       | C2A308C11520 | 55-42-4203  | Bushing Suspension Bracket                         |
| 4       | C2P334C11520 | 55-42-4204  | NA - incl in 55-42-4203                            |
| 5       | C2P335C11520 | 55-42-4205  | NA - incl in 55-42-4203                            |
| 6       | C2P336C11520 | 55-42-4206  | NA - incl in 55-42-4203                            |
| 7       | C2P301A31520 | 55-42-4207  | Right Crankcase Body Assy                          |
| 8       | C2P302A31520 | 55-42-4208  | Right Crankcase Body - incl in 55-42-4207          |
| 9       | C2P305C11520 | 55-42-4209  | Bearing Housing R. Crankshaft - incl in 55-42-4207 |
| 10      | C2P337C11520 | 55-42-4210  | Plug - incl in 55-42-4207                          |
| 11      | C2P338C21520 | 55-42-4211  | Stud Bolt  |

### Electric Starter



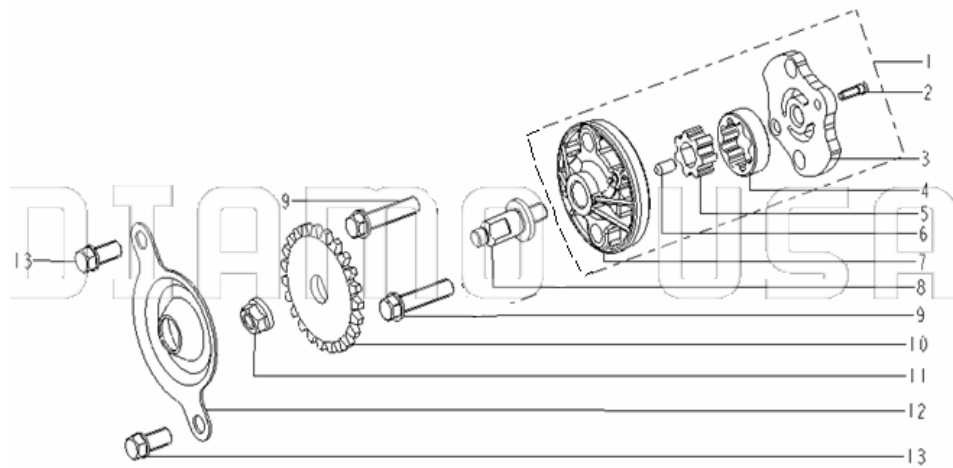
| REF NO. | CODE          | PART NUMBER | DESCRIPTION                                   |
|---------|---------------|-------------|---|
| 1       | B5787VV06016  | 55-43-4301  | Bolt M6X16                                    |
| 2       | C6A201B21520  | 55-43-4302  | Electric Stater Assy                          |
| 3       | C6P221B11520  | 55-43-4303  | Shaft, Starter Pinon Gear                     |
| 4       | C6P223B11520  | 55-43-4304  | Pinion Gear, Starter                          |
| 5       | C6A202B11520  | 55-43-4305  | Starter Clutch Assy                           |
| 6       | B4661VV63115  | 55-43-4306  | Roller - incl in 55-43-4305                   |
| 7       | C6P261C11520  | 55-43-4307  | Flange, Clutch - incl in 55-43-4305           |
| 8       | C6P262C11520  | 55-43-4308  | Spring, Roller - incl in 55-43-4305           |
| 9       | C6P263C11520  | 55-43-4309  | Retainer, Spring - incl in 55-43-4305         |
| 10      | C6A210A11520  | 55-43-4310  | Outer Ring Assy, Clutch - incl in 55-43-4305  |
| 11      | C6P271C11520  | 55-43-4311  | Seat Spring - incl in 55-43-4305              |
| 12      | C6P234B11520  | 55-43-4312  | Outer Ring Clutch - incl in 55-43-4305        |
| 13      | C6P272C11520  | 55-43-4313  | Cover, Outer Ring - incl in 55-43-4305        |
| 14      | B70V000V06012 | 55-43-4314  | Bolt M6X12 - incl in 55-43-4305               |
| 15      | C6A211B11520  | 55-43-4315  | Needle Bearing - incl in 55-43-4305           |
| 16      | C6A212B11520  | 55-43-4316  | Star Wheel Assy. Clutch - incl in 55-43-4305  |
| 17      | C6P275B11520  | 55-43-4317  | Seat, Star Wheel, Clutch - incl in 55-43-4305 |
| 18      | C6P276B11520  | 55-43-4318  | Star Wheel - incl in 55-43-4305               |
| 19      | C6P277C11520  | 55-43-4319  | Washer  |
| 20      | C6P278C11520  | 55-43-4320  | Locking Nut                                   |
| 21      | C6P279B11520  | 55-43-4321  | Key   |

### Right Crankcase Cover



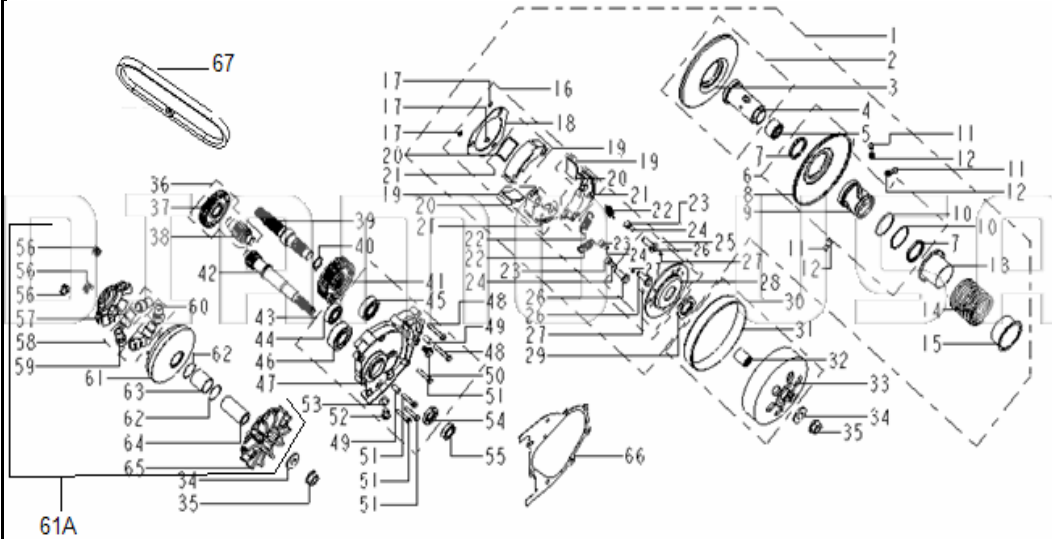
| REF NO. | CODE         | PART NUMBER | DESCRIPTION             |
|---------|--------------|-------------|-------------------------|
| 1       | C2P333C21520 | 55-44-4401  | Oil Lever Stick         |
| 2       | C2P337C11520 | 55-44-4402  | O-Ring                  |
| 3       | B5787VV06100 | 55-44-4403  | Bolt M6X100             |
| 4       | B5787VV06095 | 55-44-4404  | Bolt M6X95              |
| 5       | B5787VV06032 | 55-44-4405  | Bolt M6X32              |
| 6       | B5787VV06028 | 55-44-4406  | Bolt M6X28              |
| 7       | B5787VV06100 | 55-44-4407  | Bolt M6x10              |
| 8       | C2P332C11520 | 55-44-4408  | ACG Clamp               |
| 9       | C2P301A31520 | 55-44-4409  | Right Crankcase Cover   |
| 10      | C2P331C11520 | 55-44-4410  | Dowel Pin               |
| 11      | C2A202C11520 | 55-44-4411  | Oil Seal                |
| 12      | C2P335C11520 | 55-44-4412  | Oil Filter Screen       |
| 13      | C2P336C1152  | 55-44-4413  | Spring, Oil Filter Cap  |
| 14      | C2P338C1152  | 55-44-4414  | O-Ring, Oil Filter Cap  |
| 15      | C2P339C1152  | 55-44-4415  | Cap, Oil Filter Screen  |
| 16      | C2P303B3152  | 55-44-4416  | Gasket, Right Crankcase |

### Oil Pump



| REF NO. | CODE         | PART NUMBER | DESCRIPTION              |
|---------|--------------|-------------|--------------------------|
| 1       | C5A301B11570 | 55-45-4501  | Oil Pump Assy            |
| 2       | B818VVV03010 | 55-45-4502  | Bolt M3X10               |
| 3       | C5P310B11570 | 55-45-4503  | Covering Plate           |
| 4       | C5P303B11570 | 55-45-4504  | Inner Armature, Oil Pump |
| 5       | C5P304B11570 | 55-45-4505  | Outer Armature, Oil Pump |
| 6       | B119VVV04008 | 55-45-4506  | Pin B4X8                 |
| 7       | C5P301B11570 | 55-45-4507  | Pump Body                |
| 8       | C5P309B11520 | 55-45-4508  | Shaft, Oil Pump          |
| 9       | B5787VV06025 | 55-45-4509  | Bolt M6X25               |
| 10      | C5P302B11520 | 55-45-4510  | Oil Pump Sprocket Wheel  |
| 11      | B6177VV06000 | 55-45-4511  | Nut                      |
| 12      | C5P305B11520 | 55-45-4512  | Oil Pump Cover           |
| 13      | B5787VV06012 | 55-45-4513  | Bolt M6X12               |

### Transmission

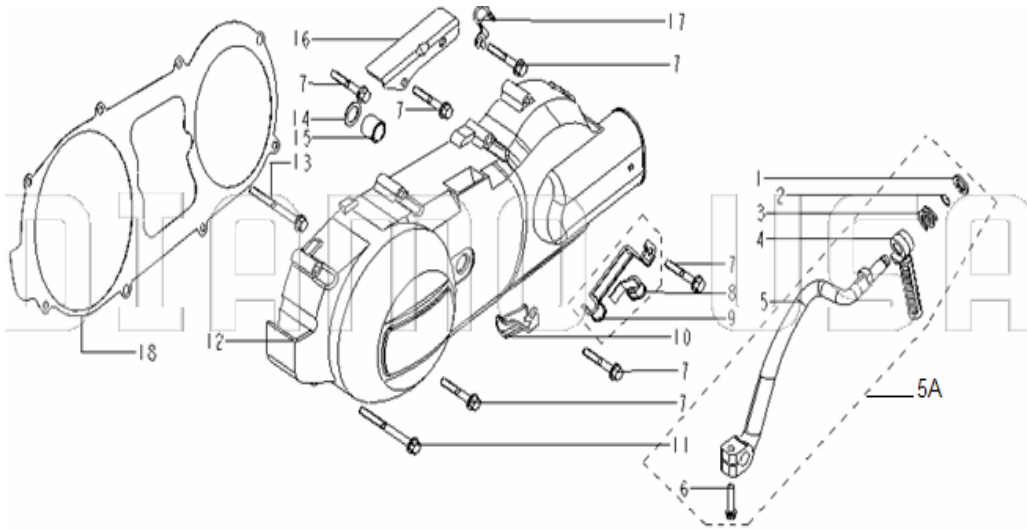


| REF NO. | CODE         | PART NUMBER | DESCRIPTION                   |
|---------|--------------|-------------|-------------------------------|
| 1       | C3A400B11520 | 55-46-4601  | Driven Belt Wheel Assy        |
| 2       | C3A401B11520 | 55-46-4602  | Driven Belt Disk              |
| 3       | C3P401C11520 | 55-46-4603  | Driven Belt Disk Body         |
| 4       | C3P402C11520 | 55-46-4604  | Bush, Shaft                   |
| 5       | C3P403C11520 | 55-46-4605  | Roller Bearing                |
| 6       | C3A402B1152  | 55-46-4606  | Sliding Driven Belt Disk Assy |
| 7       | C3A403B1152  | 55-46-4607  | Oil Sealing 34X41X4           |
| 8       | C3P410C11520 | 55-46-4608  | Sliding Driven Belt Disk Body |
| 9       | C3P411C11520 | 55-46-4609  | Bearing Bush                  |
| 10      | B3452AV38718 | 55-46-4610  | ORing 38.7X1.8                |
| 11      | C3P412C11520 | 55-46-4611  | Pin                           |
| 12      | C3P413B11520 | 55-46-4612  | Roller                        |
| 13      | C3P414B11520 | 55-46-4613  | Sealing Bush                  |
| 14      | C3P415B11520 | 55-46-4614  | Driving Spring                |
| 15      | C3P416B11520 | 55-46-4615  | Bush                          |
| 16      | C3A350A11520 | 55-46-4616  | Driven Plate, Clutch          |
| 17      | C3P371C11520 | 55-46-4617  | "U" Clip 7                    |
| 18      | C3P372B11520 | 55-46-4618  | Press Plate                   |
| 19      | C3P373B11520 | 55-46-4619  | Balance Weight Assy, Clutch   |
| 20      | C3P374B11520 | 55-46-4620  | Friction Disk                 |
| 21      | C3P375B11520 | 55-46-4621  | Centrifugal Block             |
| 22      | C3P376B11520 | 55-46-4622  | Spring                        |
| 23      | C3P377B11520 | 55-46-4623  | Outer Bush, Fixing Sleeve     |
| 24      | C3P378B11520 | 55-46-4624  | Fixing Sleeve                 |
| 25      | C3A380B11520 | 55-46-4625  | Drive Plate Group             |
| 26      | C3P381B11520 | 55-46-4626  | Shaft Pin                     |
| 27      | C3P382B11520 | 55-46-4627  | Shaft Pin                     |
| 28      | C3P383B11520 | 55-46-4628  | Supporting Plate              |
| 29      | C3P384B11520 | 55-46-4629  | Special Nut                   |
| 30      | C3A381B11520 | 55-46-4630  | Outer Sleeve, Clutch Group    |
| 31      | C3P385C11520 | 55-46-4631  | Guard, Friction Plate         |
| 32      | C3P386B11520 | 55-46-4632  | Bush                          |
| 33      | C3P387B11520 | 55-46-4633  | Friction Disk                 |
| 34      | C3P388B11520 | 55-46-4634  | Washer                        |
| 35      | B3187VV12125 | 55-46-4635  | Nut M12X1.25X11               |
| 36      | C3A340B11520 | 55-46-4636  | Counter Shaft Assy            |
| 37      | C3P341B11520 | 55-46-4637  | incl in 55-46-4636            |
| 38      | C3P342B11520 | 55-46-4638  | incl in 55-46-4636            |
| 39      | C3P343B11520 | 55-46-4639  | Final Shaft                   |
| 40      | B894AVV00020 | 55-46-4640  | incl in 55-46-4639            |
| 41      | C3P344B11520 | 55-46-4641  | Final Gear                    |
| 42      | C3P345B11520 | 55-46-4642  | Drive Shaft                   |



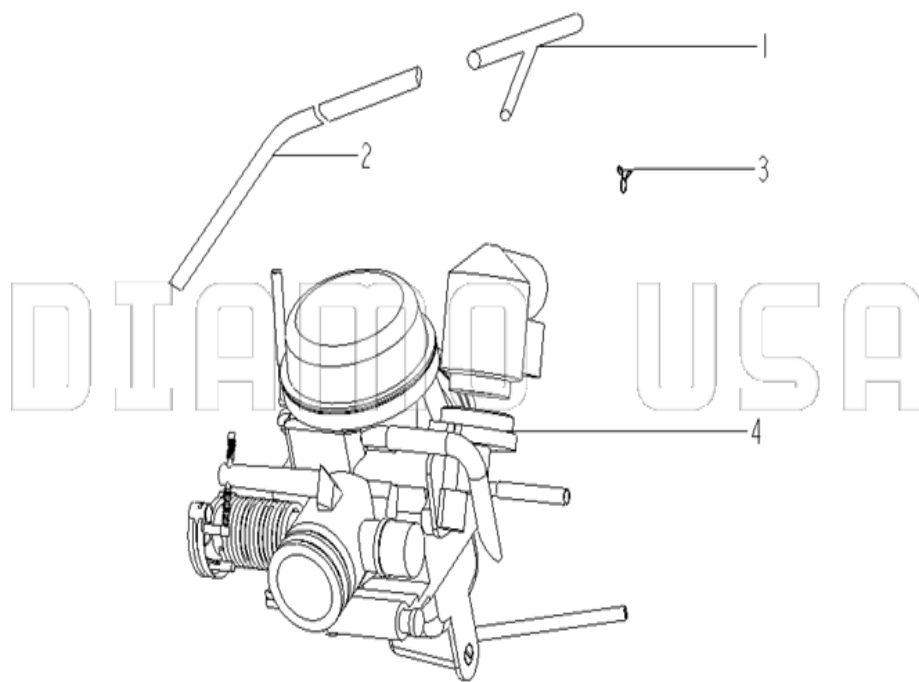
|     |              |             |   |
|-----|--------------|-------------|---|
| 43  | C2A004A31520 | 55-46-4643  | Gear Chamber Cover Assy                   |
| 44  | B276VVV06202 | 55-46-4644  | Bearing 6202/P63                          |
| 45  | B276VVV06203 | 55-46-4645  | Bearing 6203/P63                          |
| 46  | B276VVV06204 | 55-46-4646  | Bearing 6204/P63                          |
| 47  | C2P361A31520 | 55-46-4647  | Gear Chamber Cover                        |
| 48  | B5787VV06035 | 55-46-4648  | Bolt M6X35                                |
| 49  | C2P371C11520 | 55-46-4649  | Positioning Pin 8X14                      |
| 50  | B5787VV08012 | 55-46-4650  | Bolt M8X12                                |
| 51  | B95VVVV00008 | 55-46-4651  | Bolt                                      |
| 52  | C2A371C11520 | 55-46-4652  | Drain Bolt                                |
| 53  | B276VVV61902 | 55-46-4653  | Washer, Drain Bolt                        |
| 54  | C3A360B11520 | 55-46-4654  | Bearing 61902-LS/P63                      |
| 55  | C3P361B11520 | 55-46-4655  | Oil Seal, Drive Shaft                     |
| 56  | C3P362B11520 | 55-46-4656  | Slider - incl in 55-46-4661A              |
| 57  | C3P363B11520 | 55-46-4657  | Plate - incl in 55-46-4661A               |
| 58  | C3P364B11520 | 55-46-4658  | Roller Set - incl in 55-46-4661A          |
| 59  | C3P365B11520 | 55-46-4659  | Roller - incl in 55-46-4661A              |
| 60  | C3P366B11520 | 55-46-4660  | NA - incl in 55-46-4661A                  |
| 61  | C3P367B11520 | 55-46-4661  | Face, Primary Drive - incl in 55-46-4661A |
| 61A |              | 55-46-4661A | Variator Assy                             |
| 62  | C2A361C31520 | 55-46-4662  | Oil Seal - incl in 55-46-4661A            |
| 63  |              | 55-46-4663  | Collar - incl in 55-46-4661A              |
| 64  |              | 55-46-4664  | Collar - incl in 55-46-4661A              |
| 65  |              | 55-46-4665  | Face, Drive Fan - incl in 55-46-4661A     |
| 66  |              | 55-46-4666  | Gasket, Gear Chamber Cover                |
| 67  |              | 55-46-4667  | Drive Belt                                |

### Left Crankcase Cover



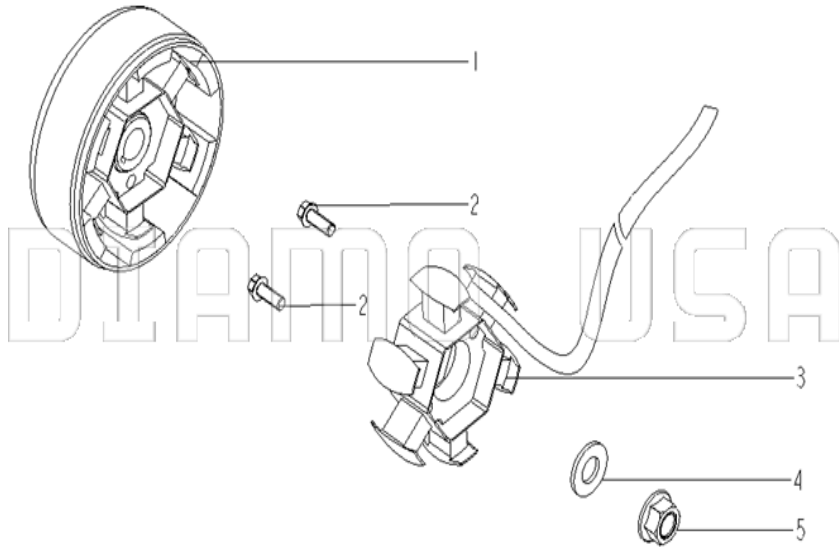
| REF NO. | CODE         | PART NUMBER | DESCRIPTION                         |
|---------|--------------|-------------|-------------------------------------|
| 1       | C0P002C11520 | 55-47-4701  | Thrust Ring - incl in 55-47-4705A   |
| 2       | B895BVV00010 | 55-47-4702  | Collar 10 - incl in 55-47-4705A     |
| 3       | C0P001C11520 | 55-47-4703  | Return Spring - incl in 55-47-4705A |
| 4       | C0A002B11570 | 55-47-4704  | Kick Lever - incl in 55-47-4705A    |
| 5       | C0A003B11570 | 55-47-4705  | Kick Arm - incl in 55-47-4705A      |
| 5A      |              | 55-47-4705A | Kick Arm Assy                       |
| 6       | B5787VV06025 | 55-47-4706  | Bolt M6X25                          |
| 7       | B5787VV06040 | 55-47-4707  | Bolt M6X40                          |
| 8       | C2P515C11570 | 55-47-4708  | Throttle Wire Clamp B               |
| 9       | C2P516C11570 | 55-47-4709  | Throttle Wire Clamp A               |
| 10      | C2P517C11570 | 55-47-4710  | Brake Cable Clamp                   |
| 11      | B5787VV06069 | 55-47-4711  | Bolt M6X69                          |
| 12      | C2P501B51570 | 55-47-4712  | Left Crankcase Cover                |
| 13      | B5787VV06065 | 55-47-4713  | Bolt M6X65                          |
| 14      | C2P508C11570 | 55-47-4714  | Fixing Bracket                      |
| 15      | C2P514C11570 | 55-47-4715  | Over-Flow Pipe Clamp                |
| 16      | C2P502B51570 | 55-47-4716  | Bracket                             |
| 17      |              | 55-47-4717  | Bracket                             |
| 18      |              | 55-47-4718  | Gasket, Left Crankcase              |
| 19      |              | 55-47-4719  | TC Boot (not pictured)              |
| 20      |              | 55-47-4720  | Clamp, TC Boot (not pictured)       |

### Carburetor



| REF NO. | CODE         | PART NUMBER | DESCRIPTION     |
|---------|--------------|-------------|-----------------|
| 1       | C7P005C41520 | 55-48-4801  | T-Pipe          |
| 2       | C7P006C41520 | 55-48-4802  | Hose            |
| 3       | C7P007C11520 | 55-48-4803  | Clamp           |
| 4       | C7A001A21520 | 55-48-4804  | Carburetor Assy |

### Magneto



| REF NO. | CODE         | PART NUMBER | DESCRIPTION      |
|---------|--------------|-------------|------------------|
| 1       | C6A101B21520 | 55-49-4901  | Magneto Flywheel |
| 2       | B5787VV06020 | 55-49-4902  | Bolt M6X20       |
| 3       | C6A102B21520 | 55-49-4903  | Winding Stator   |
| 4       | C6P101C11520 | 55-49-4904  | Washer           |
| 5       | B6187VV12125 | 55-49-4905  | Nut 12X1.25      |