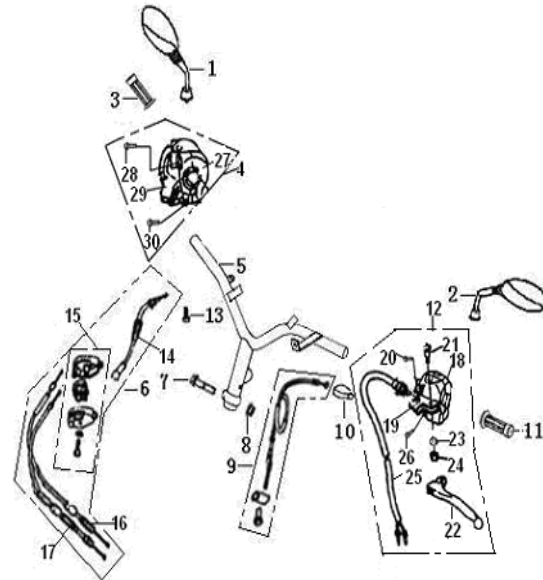


CPI QJ 50

## **BODY PARTS LIST OF QJ50QT-2**

### **CONTROL ASSY.**

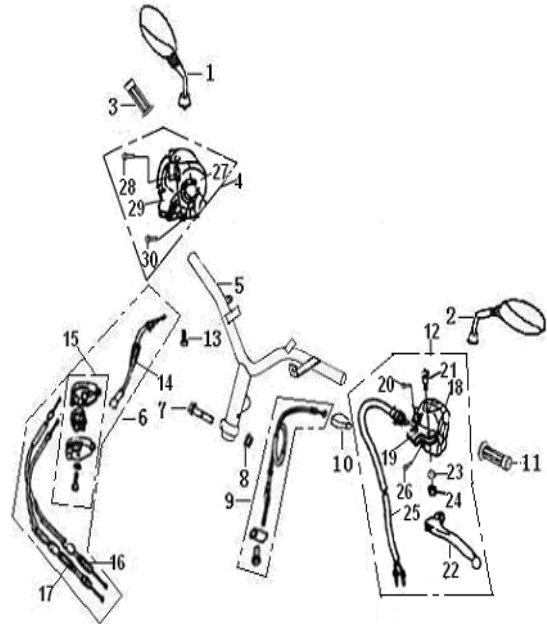
NO.	CODE	DESCRIPTION	QTY.
1	40480B920000	REAR VIEW MIRROR ASSY.RH.	1
2	40450B920000	REAR VIEW MIRROR ASSY.LH.	1
3	40212T090000	GRIP ASSY., THROTTLE	1
4	40600B030004	RIGHT HANDLE SWITCH, RH. ASSY.	1
5	40100B030G81	JOINTING ASSY., HANDLE BAR	1
6	40300B030001	CABLE ASSY., THROTTLE (NEW)	1
7	B01091004565	BOLT M10X1.25X45	1
8	B04171012565	NUT M10X1.25	1
9	40270B030001	CABLE COMP. , REAR. BRAKE	1
10	40008B910000	PROTECTOR,, REAR. BRAKE CABLE	1
11	40001T090000	GRIP, LH.	1
12	40500B030000	LEFT HANDLE SWITCH ,1 ASSY.	1
13	B02000501025	SCREW M5X10	1
14	40306B030000	CABLE THROTTLE	1
15	40340B030001	JUNCTION BOX	1



16	40308B030000	OIL PUMP LINE	1
17	40307B030001	CARBURETOR LINE	1
18	40510B910000	LEFT HANDLE SWITCH	1
19	40520B910000	L. SWITCH FIXING SEAT	1
20	B02000502525	PAN HEAD SCREW 5X25	1

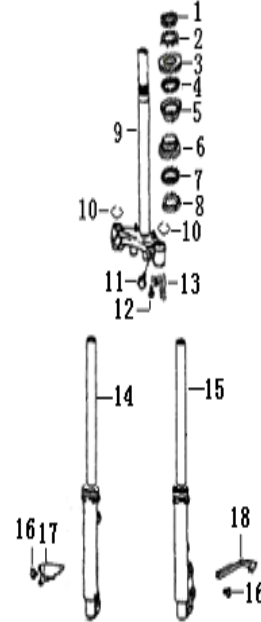
**CONTROL ASSY.**

NO.	CODE	DESCRIPTION	QTY.
21	40004B310000	SCREW M5	1
22	40002B910000	LEFT LEVER	1
23	B07000000505	WASHER SPRING 5	1
24	B04000500065	NUT M5	1
25	91700B310000	STOP SWITCH ASSY.	1
26	B02000502025	PAN HEAD SCREW M5X20	1
27	40610B910000	RIGHT HANDLE SWITCH, RH.	1
28	B02000502525	PAN HEAD SCREW M5X25	1
29	40620B910000	SWITCH FIXING R.	1
30	B02000502025	PAN HEAD SCREW M5X20	1



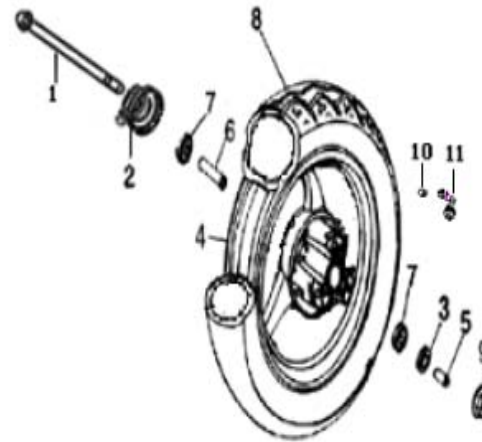
**FRONT FORK ASSY.**

NO.	CODE	DESCRIPTION	QTY.
1	43008T020000	PRESS NUT	1
2	43007B030000	WASHER	1
3	43001B030000	UPPER STEEL BOWL,UPPER	1
4	B06010110000	STEEL BALL 3.969MM	25
5	43002B030000	Lower steel bowl, upper bearing	1
6	43003B030000	Upper steel bowl, lower bearing	1
7	B06010140000	STEEL BALL 4.763MM	21
8	43004B030000	Lower steel bowl, lower bearing	1
9	43100B030001	UNDER BRACKET COMP	1
10	43215B310000	CLIP	2
11	B01591003065	FLANGE BOLT 10X1.25X30MM	2
12	B01090601265	FLANGE BOLT 6X12MM	1
13	43035B920000	COVER , ANTI-DUST	1
14	43300B030000	R.H. FR. FORK ASSY.	1
15	43200B030000	L.H. FR. FORK ASSY.	1
16	B01070601665	BLOT6X16MM	2
17	43150B310000	CABLE HOLDER	1
18	43021B910003	BRAKE HOSE HOLDER, 1	1



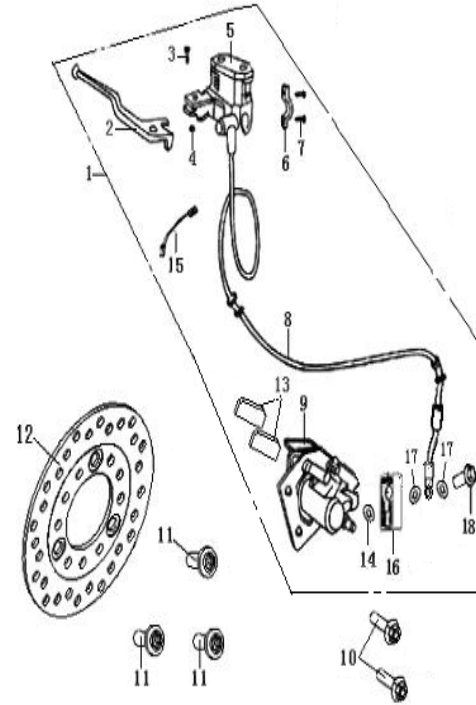
**FRONT WHEEL ASSY.**

NO.	CODE	DESCRIPTION	QTY.
1	44005B030001	AXLE, FRONT WHEEL	1
2	44200B03B101	SEAT ASSY., GEAR WHEEL, BLACK	1
2	44200B03RS01	SEAT ASSY., GEAR WHEEL, RED	1
2	44200B03LP01	SEAT ASSY., GEAR WHEEL, BLUE	1
3	44300B030000	OIL SEAL	1
4	44100B03B102	WHEEL HUB, FRONT, BLACK	1
4	44100B03RS02	WHEEL HUB, FRONT, RED	1
4	44100B03LP02	WHEEL HUB, FRONT, BLUE	1
5	44004B030000	BUSHING RING	1
6	44006B03T100	SPACER, BEARING	1
7	B12040100900	BEARING	2
8	B140505C1221	TIRE(DOT:NUMBER)	1
9	B04171012564	NUT 10X1.25MM	1
10	B1404Z201110	CAP , VALVE	1
11	B1403Z201110	RIM , VALVE	1



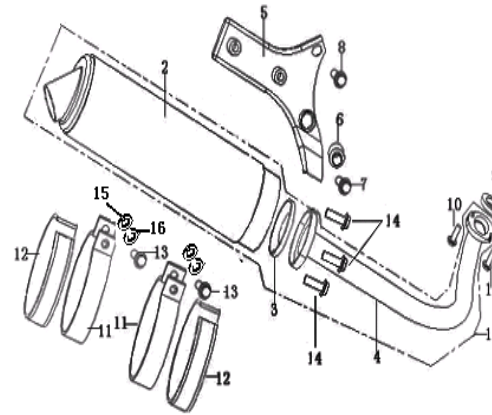
### DISC BRAKE ASSY. I

NO.	CODE	DESCRIPTION	QTY.
1	45000B030001	DISK BRAKE ASSY.	1
2	40014T030000	DISC BRAKE LEVER	1
3	40015T400000	LEVER MOUNTING SCREW	1
4	B04160600065	NUT 6MM	1
5	45400B92B300	CYLINDER COMP. BLACK	1
6	45023T010000	MASTER CYLINDER BRACKET	1
7	B01070602365	BOLT 6X23MM	2
8	45200B030002	BRAKE HOSE ASSY.	1
9	45500B03B301	CALIPER ASSY. BLACK	1
10	45039T100000	BOLT	2
11	45036B030000	BOLT	3
12	45033B92C200	BRAKE DISC, SILVER	1
13	45110T100000	BRAKE PAD KIT ASSY.	1付
14	45654B030000	WASHER	1
15	91700T030000	STOP SWITCH ASSY.	1
16	45700B03B300	A.B.S, BLACK	1
17	45653B030000	WASHER	2
18	45651B920000	FLANGE BOLT	1



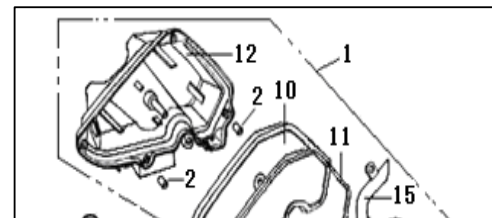
### MUFFLER ASSY.

NO.	CODE	DESCRIPTION	QTY.
1	47100B030007	MUFFLER ASSY.	1
2	47200B030007	MUFFLER CANISTER ASSY.	1
3	47121B030000	SEAL WASHER	1
4	47105B030005	EXHAUST PIPE ASSY	1
5	47123B030000	MUFFLER FIXING PLATE	1
6	47039B030000	MUFFLER BUSH	1
7	B01070803065	BOLT 8×30MM	1
8	B01070802065	BOLT 8×20MM	1
9	47800B030000	GASKET, EXHAUST PIPE	1
10	B01070601665	BOLT 6×16MM	2
11	47041B030000	MUFFLER HOOP	2
12	47042B030000	ADIABATIC RUBBER	2
13	B01090805064	BOLT 8×50MM	2
14	B01070802065	BOLT 8×20MM	3
15	B07030000804	WASHER 8	2
16	B07000000804	WASHER 8	2

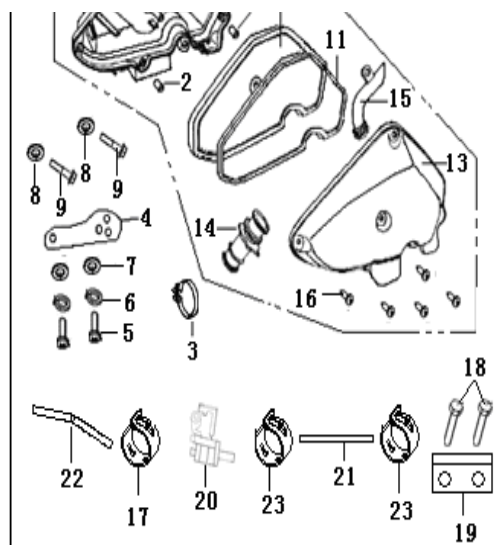


### AIR CLEANER ASSY.

NO.	CODE	DESCRIPTION	QTY.
1	49500B030001	AIR CLEANER	1
2	49004B030000	BUSH	2

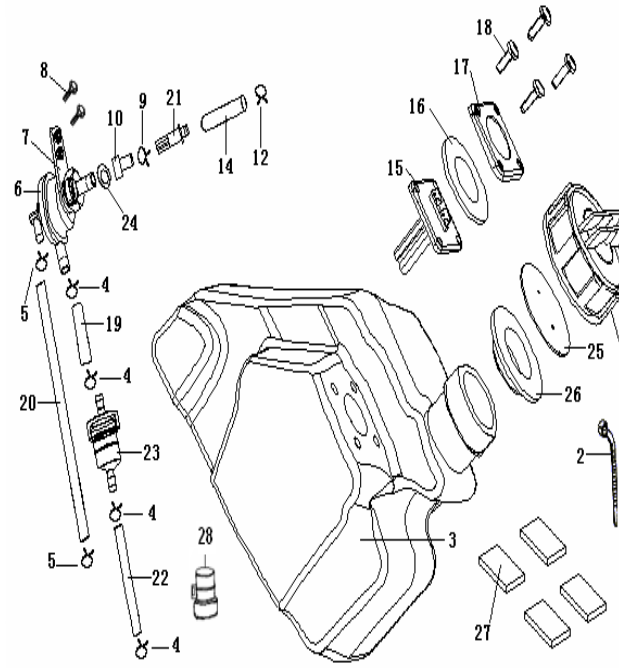


3	49350B030000	CLIP	1
4	49361B030001	PLATE	1
5	B02000501664	SCREW 5X16MM	2
6	B07000000504	WASHER SPRING 5MM	2
7	B07030000504	WASHER 5MM	2
8	B07020000605	WASHER 6MM	2
9	B01190603065	BOLT 6X30MM	2
10	49202B030000	FILTER	1
11	49103B030000	SEAL LOOP	1
12	49101B030000	CASE, AIR CLEANER	1
13	49401B030000	CAP, AIR CLEANER	1
14	49002B030000	PIPE,AIR IN	1
15	49005B030000	PIPE,AIR OUT	1
16	B05074201905	SCREW 4.2X19MM	5
17	49805B920000	SPRING II,LOCK $\phi$ 17.5	6
18	B0109061265	SCREW 6X12MM	2
19	57051B140000	PLATE ,ONE WAY VALVE	1
20	49840W110000	ONE WAY VALVE II	1
21	49851B030000	HOSE 570MM	1
22	49852B140000	HOSE 240MM	1
23	49853B140000	HOSE II 185MM	1
24	49870B140000	AIR CLEANER,SMALL	1
25	96001B030000	BAND	2



**FUEL TANK ASSY.**

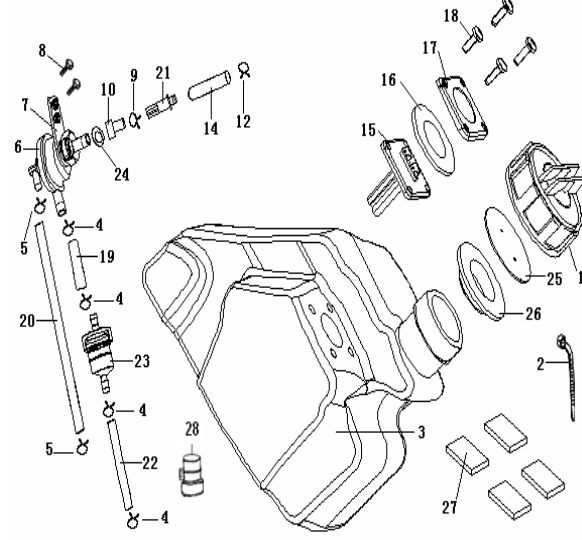
NO.	CODE	DESCRIPTION	QTY.
1	50201B020000	LIP FUEL TANK	1
2	50203B020000	LIPOIL TANK PLASTIC CUSHION	1
3	50202B020000	LIP OIL TANK SEAL	1
4	50306B030000	CLIP 8MM	4
5	50307B030000	CLIP 7MM	2
6	50300B020000	SWITCH ASSY	1
7	50313B030000	PLATE.FUEL COCK	1
8	B02000501064	SCREW 5×10MM	2
9	50308B030000	CLIP 16MM	1
10	50311B030000	COUPLER.FUEL COCK	1
12	50309B030000	CLIP 11MM	1
14	50301B030000	FILTER CASE	1
15	50800B02T100	SENSOR ASSY.	1
16	50004B02T100	GLUE MAT	1
17	50003B02G800	SENSOR BOARD	1
18	B13140601405	BOLT ASSY. 6X14MM	4
19	50302B030000	HOSE II 4.5X8.5X85MM	1
20	50303B030000	HOSE III 4X8X175MM	1





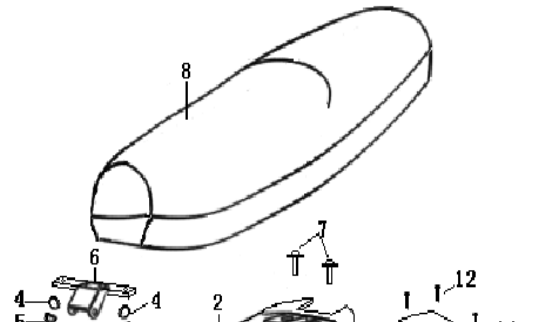
**FUEL TANK ASSY.**

NO.	CODE	DESCRIPTION	QTY.
21	50352B030000	FILTER	1
22	50304B030000	HOSE V 4.5X8.5X85MM	1
23	50340B02T100	FILTER, FUEL	1
24	50312B020000	RUBBER SEAL	1
25	50910B020000	TIE ASSY. FUEL TANK	1
26	50100B02T100	BODY, FUEL TANK	1
27	50920B020000	CUSHION	4
28	50391T020000	GASKET	1

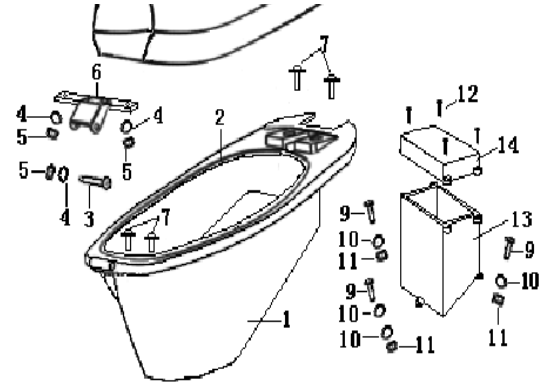


**SEAT ASSY.**

NO.	CODE	DESCRIPTION	QTY.
1	51004B030000	HELMET BOX	1
2	51012B030000	AIRPROOF.BAR	1
3	51001B030000	BOLT	1
4	B07000000603	WASHER SPRING 6MM	3

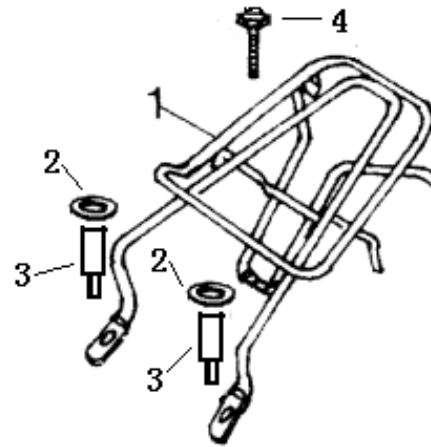


5	B04000600053	NUT 6MM	3
6	51005B030000	MOUNTING PANEL ,SEAT	1
7	B13060601664	SCREW ASSY. 6X16MM	4
8	51100B030003	SEAT COMP.	1
9	B01010501664	BOLT 5X16MM	3
10	B07020000504	WASHER 5MM	4
11	B04000500054	NUT 5MM	3
12	B05072901605	SCREW 2.9X16MM	4
13	65816B030000	CASE.BATTERY	1
14	65813B030001	CAP.BATTERY	1



#### CARRIER ASSY.

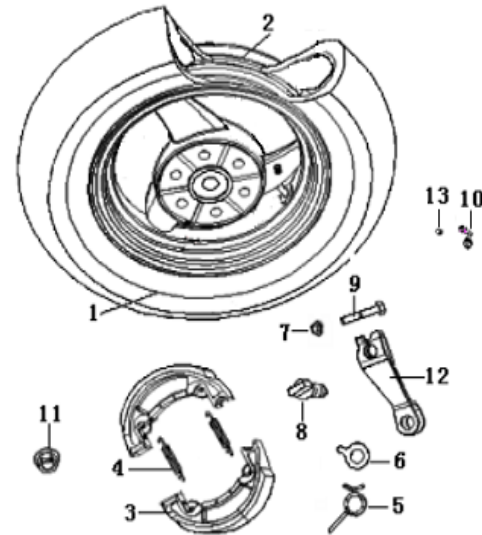
NO.	CODE	DESCRIPTION	QTY.
1	52011B030000	REAR CARRIER	1
2	51014B030000	DECORATIVE,COVER	2
3	51016B030000	SPECIAL SCREW	2
4	B01070601665	BOLT M6X16	1



--	--	--	--

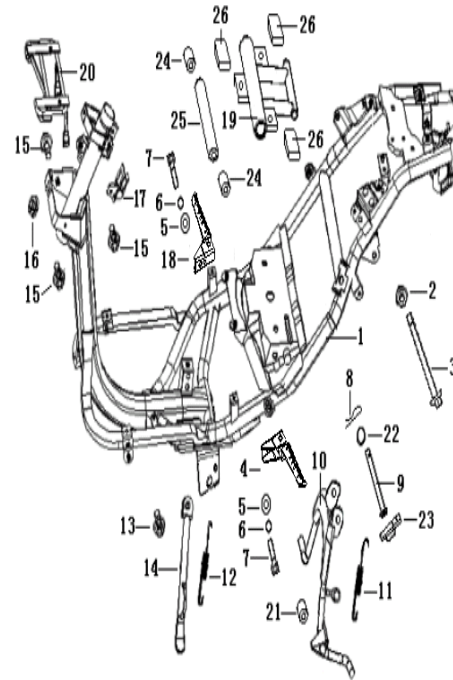
**REAR WHEEL ASSY.**

NO.	CODE	DESCRIPTION	QTY.
1	B140505C1221	TIRE(DOT:NUMBER)	1
2	54101B03B101	RIM ASSY., REAR WHEEL, BLACK	1
2	54101B03RS01	RIM ASSY., REAR WHEEL RED	1
2	54101B03LP01	RIM ASSY., REAR WHEEL BLUE	1
3	54200B000000	SHOE ASSY., REAR BRAKE	2
4	54001B000000	SPRING, BRAKE SHOE	2
5	54008B020000	RETURN SPRING	1
6	54002B000000	REAR INDICATOR	1
7	B04170600064	NUT 6MM	1
8	54003B020000	CAMSHAFT, REAR BRAKE	1
9	B01010603064	BOLT 6X30MM	1
10	B1403Z201110	RIM , VALVE	1
11	B04171415064	NUT 14X1.5MM	1
12	54007B020000	ROCKER, REAR BREAK	1
13	B1404Z201110	CAP , VALVE	1



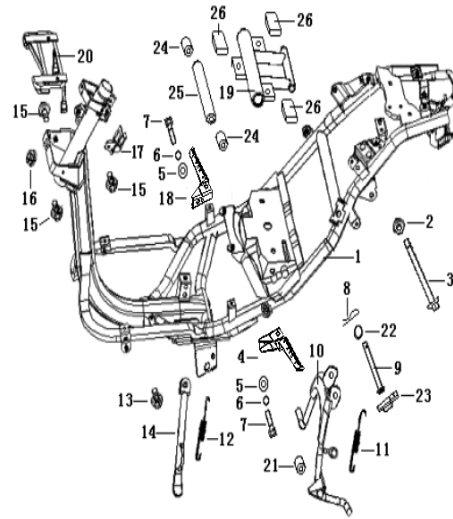
**FRAME ASSY.**

NO.	CODE	DESCRIPTION	QTY.
1	57100B03T103	JOINTING ASSY., FRAME	1
2	B04171012564	NUT 10X1.25MM	1
3	58301B030000	AXLE , SUPPORT	1
4	58280B030001	FOOTCAST, BACK,LEFT	1
5	B07030001004	WASHER 10MM	2
6	B07000001004	WASHER SPRING 10MM	2
7	B02051002264	BOLT 10X22MM	2
8	<b>B09003202823</b>	COTTER PIN	1
9	58501B030000	SHAFT, MAIN STAND	1
10	58500B030001	MAIN STAND ASSY.	1
11	58502B030000	SPRING , MAIN STAND	1
12	57003B03T100	SPRING, SIDE STAND	1
13	57005T020000	FIXINGS BOLT , SIDE STAND	1
14	58700B03T101	JOINTING ASSY., SINGLE STAND	1
15	B01090601664	BOLT 6X16MM	3
16	B04070600064	NUT 6MM	1
17	57007B030000	POTHOOK, HELMET	1
18	58260B030001	FOOTCAST, BACK,RIGHT	1
19	58320B410000	SUSPEND FRAME ASSY., ENGINE	1
20	58200B03T101	BRACKET ASSY., FRAME FRONT	1
21	58504B030000	RUBBER , MAIN STAND	1



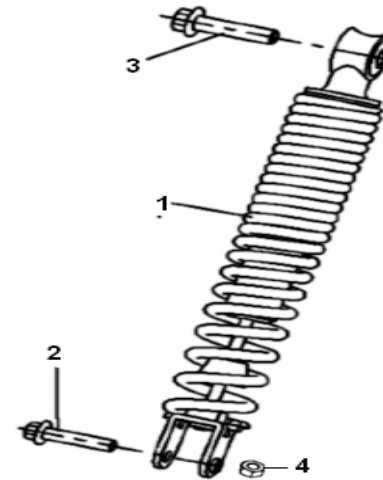
**FRAME ASSY.**

NO.	CODE	DESCRIPTION	QTY.
22	58505B030000	PROTECTOR , MAIN STAND	1
23	58506B030000	CLIP , BRAKE CABLE	1
24	58340B030000	BUFFER, ENGINE BRACKET	2
25	58343B030000	CENTER SPACER	1
26	58342B030000	DAMPER	3



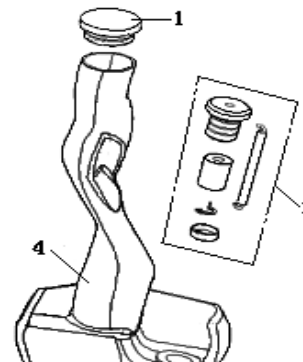
**REAR SHOCK  
ABSORBER ASSY**

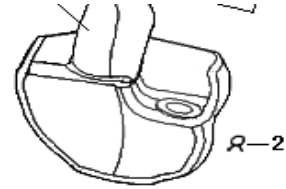
NO.	CODE	DESCRIPTION	QTY.
1	63100B03RS01	ABSORBER ASSY. RED	1
1	63100B03LP01	ABSORBER ASSY. RED	1
1	63100B03BA01	ABSORBER ASSY. BLACK	1
2	B01070804064	BOLT 8X40MM	1
3	B01071004064	BOLT 10X1.25X 40MM	1
4	B04070008064	NUT M8MM	1



**OIL TANK ASSY.**

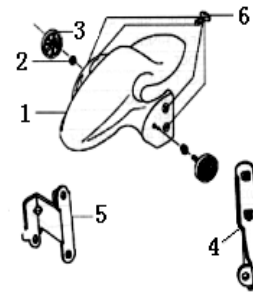
NO.	CODE	DESCRIPTION	QTY.
1	64091B030000	CAP, OIL TANK	1
2	50307B910000	CLIP	1
3	64100B030000	SENSOR, OIL POSITION	1
4	64001B030000	OIL TANK	1



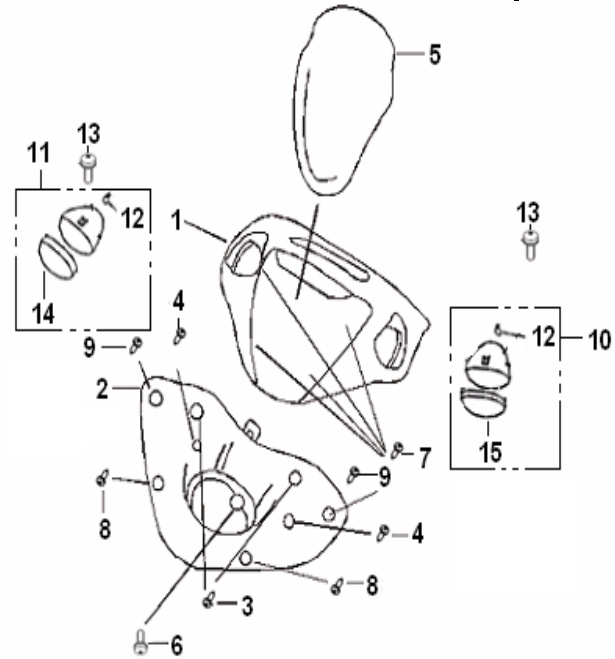
**FRONT FENDER ASSY.**

NO.	CODE	DESCRIPTION	QTY.
1	65101B92RS00	FENDER ,FRONT , RED	1
1	65101B92LP00	FENDER ,FRONT , BLUE	1
1	65101B92YE00	FENDER ,FRONT , YELLOW	1
2	B04070600064	NUT 6MM	2
3	86300B030001	FRONT REFLECTOR,OJ	2
4	65120B030000	FENDER ,FRONT, R.H.bracket	1
5	65110B030000	FENDER ,FRONT, L.H.bracket	1
6	65114B920000	FENDER SCREW,FRONT	4



**HANDLE COVER ASSY.**

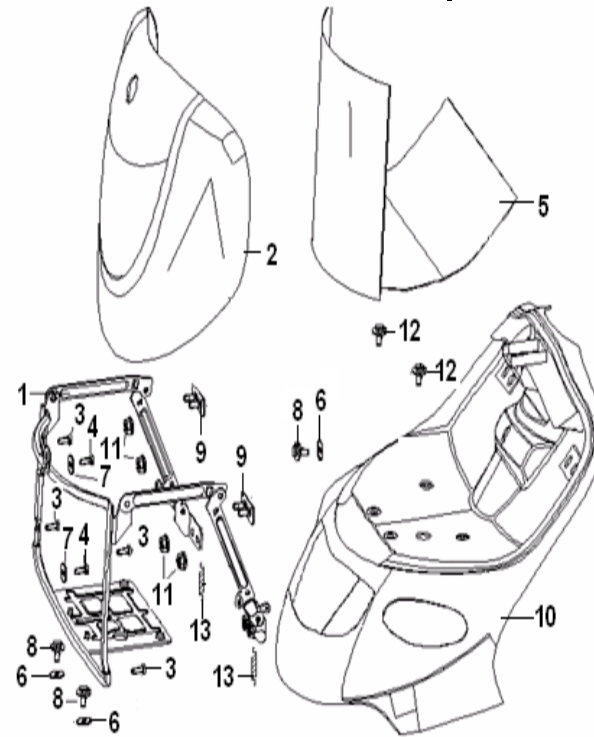
NO.	CODE	DESCRIPTION	QTY.
1	65201B920000	HANDLE COVER, UP,	1
	65201B92RS00	HANDLE COVER, UP,RED	1
	65201B92LP00	HANDLE COVER, UP,BLUE	1
	65201B92YE00	HANDLE COVER, UP,YELLOW	1
2	65203B030000	HANDLE COVER, DOWN	1
3	B05075001605	TAPPING SCREW , ST5X16	2
4	B05074001605	TAPPING SCREW , ST4X16	2
5	65203B920000	METER VISION ASSY.	1
6	B13010501405	SCREW,5X14	1
7	B05073001005	TAPPING SCREW,ST3X10	4
8	B05075001205	TAPPING SCREW,ST5X12	2
9	B05074001205	TAPPING SCREW,ST4X12	2
10	81100B030002	FLASHER LIGHT ASSY., T MARK-DOT/VEINTO	1
11	81300B030002	FLASHER LIGHT ASSY., Z MARK-DOT/VEINTO	1
12	B24012120000	BULB, 12V/10W	2
13	08005X010000	SCREW W/WASHER 5X11.5	2
14	81302B030001	LIGHT COVER, RH.	1
15	81102B030001	LIGHT COVER, LH.	1





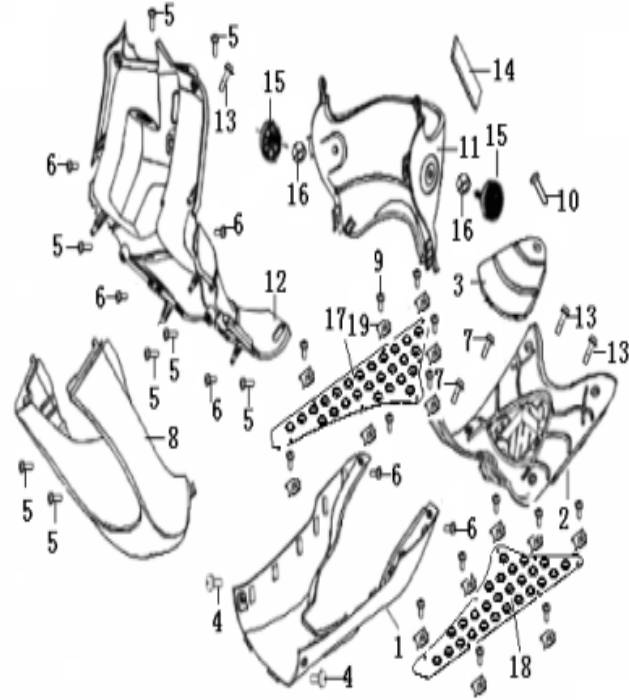
**FRONT COVER ASSY.**

NO.	CODE	DESCRIPTION	QTY.
1	65340B030000	FRAME, FRONT	1
2	65301B03Y500	FACEPLATE, YELLOW	1
	65301B03RS00	FACEPLATE , RED	1
	65301B03LP00	FACEPLATE , BLUE	1
	65301B03CA00	FACEPLATE , SILVER	1
3	B05074201604	TAPPING SCREW ST4.2X16	4
4	B05074201604	TAPPING SCREW ST4.2X16	2
5	65390B030000	FRONT RACK	1
6	B07020000605	WASHER 6	3
7	B07020000504	WASHER 5	2
8	B01010601664	BOLT M6X16	3
9	65330B030000	FIXING SEAT	2
10	65302B030000	MOTHERBOARD, FRONT COVER	1
11	B04070600054	NUT M6	4
12	B01070602024	BOLT M6X20	2



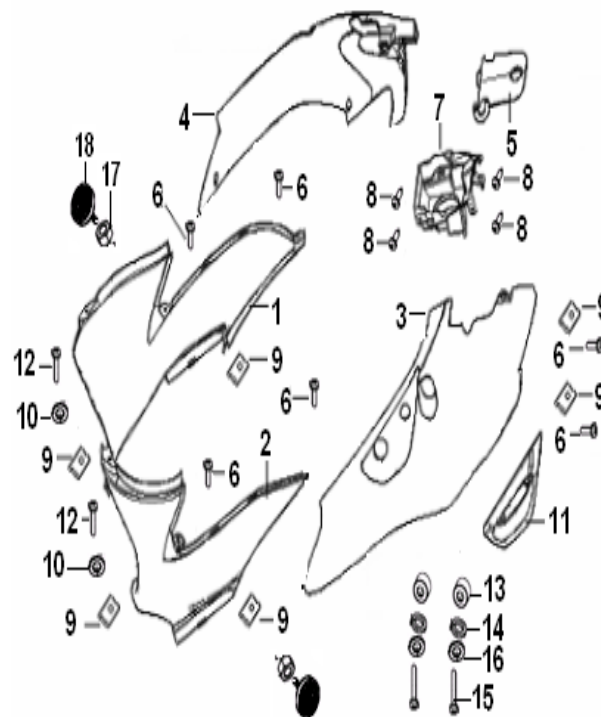
**LEG SHIELD ASSY.**

NO.	CODE	DESCRIPTION	QTY.
1	65407B03C200	COVER LOWER II(SILVER)	1
	65407B03BA00	COVER LOWER II(BLACK)	4
2	65401B030000	FOOTBOARD	1
3	65411B030000	CAP FOOTBOARD	1
4	B13060601605	SCREW ASSY. 6X16MM	2
5	B05074201605	SCREW 4.2X16MM	8
6	B05074201305	SCREW 4.2X13MM	6
7	B01070601265	BOLT 6X12MM	2
8	65406B030000	COVER LOWER I	1
9	B05074201304	SCREW 4.2X13MM	14
10	B02000502025	SCREW 5X20MM	1
11	65404B030000	COVER,FRONT LUGGAGE BOX	1
12	65402B030000	COVER, REAR	1
13	B01070601665	BOLT 6X16MM	3
14	65403B030000	COVER (VIN NO. WINDOW)	1
15	86300B030001	FRONT REFLECTOR(ORANGE)	2
16	B04070600054	NUT, 6MM	2
17	65412B140000	FLOOR COVER , R	1
18	65411B140000	FLOOR COVER , L	1
19	57031B140000	WASHER	14



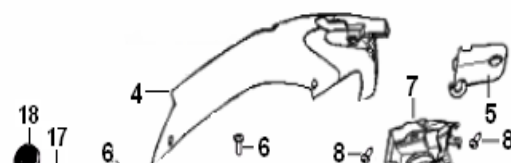
**FRAME COVER ASSY.**

NO.	CODE	DESCRIPTION	QTY.
1	65603B030001	COVER FRONT RH	1
2	65601B030001	COVER FRONT LH	1
3	65604B03RS00	COVER REAR LH,(RED)	1
3	65604B03LP00	COVER REAR LH,(BLUE)	1
3	65604B03YE00	COVER REAR LH,(YELLOW)	1
4	65602B03RS00	COVER REAR RH, (RED)	1
4	65602B03LP00	COVER REAR RH,(BLUE)	1
4	65602B03YF00	COVER REAR RH, (YELLOW)	1
5	65606B03RS00	COUPLING BOARD,(RED)	1
5	65606B03LP00	COUPLING BOARD,(BLUE)	1
5	65606B03YF00	COUPLING BOARD,(YELLOW)	1
6	B05070421605	TAPPING SCREW ST4.2×16	6
7	65615B030000	BOARD, FUEL TANK FIXING	1
8	B05070401005	TAPPING SCREW, ST4×10	4
9	65801B030000	CARD	6
10	B07030000504	WASHER 5MM	2
11	65612B030000	HANDLE, LH	1

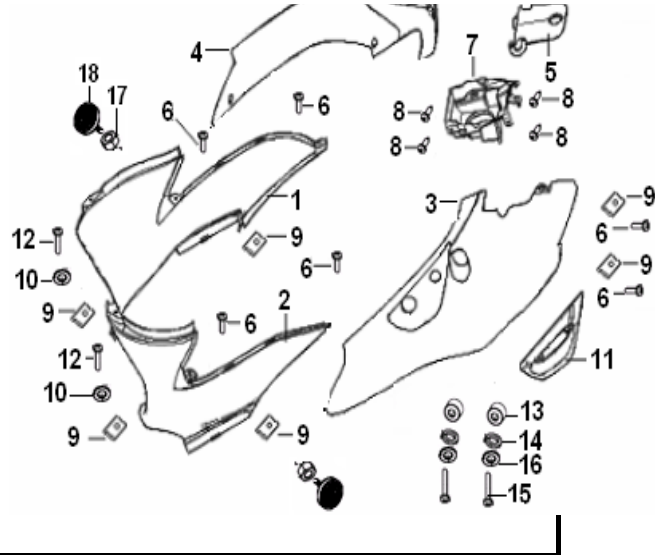


#### FRAME COVER ASSY.

NO.	CODE	DESCRIPTION	QTY.
12	B05074201605	TAPPING SCREW, ST4.2×16	2

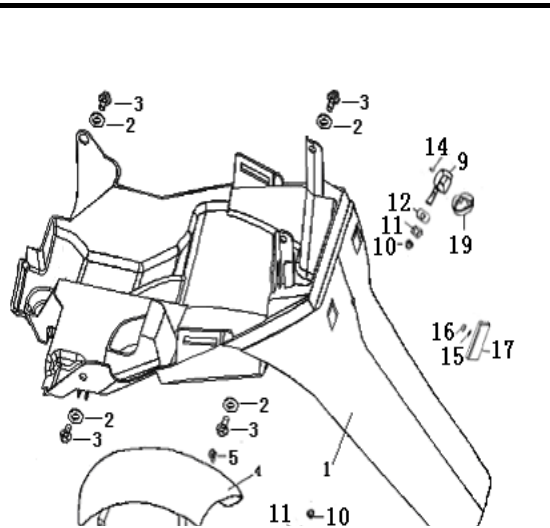


13	65613B030000	BUSH, HANDLE	2
14	B07030000604	WASHER 6	2
15	B02000603064	SCREW M6×25	2
16	B07000000604	WASHER SPRING 6	2
17	B04070600064	NUT,M6	2
18	86400B030001	REAR REFLECTOR,RH,LH	2

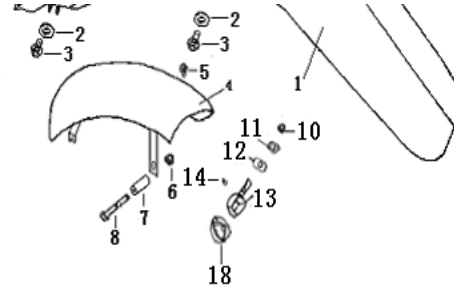


**REAR FENDER ASSY.**

NO.	CODE	DESCRIPTION	QTY.
1	65701B030000	FENDER, REAR	1
2	B07020000605	WASHER 6	4
3	B01010601625	BOLT M6×16	4
4	65702B030000	TAIL , REAR FENDER	1
5	B01070601265	BOLT M6X12	1
6	65810B030000	FIT NUT ASSY,FENDER	1
7	65763B030000	FIT BUSH,FENDER	1
8	B01090604265	BOLT M6X42	1

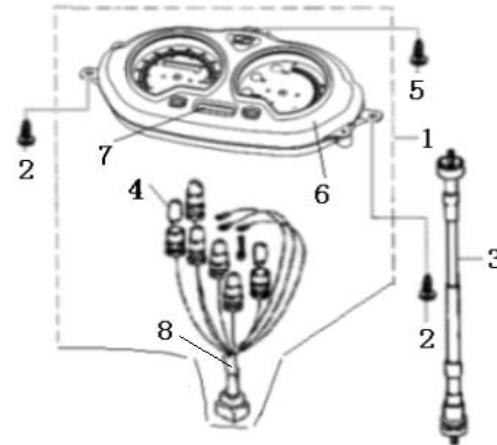


9	81700BM0T002	TURN LIGHT,F.R.	1
10	B04021012554	NUT M10X1.25	2
11	81703B030000	RUBBERCUSHION,REARTURNLIGHT	2
12	81704B030000	CUSHION,REAR TURN LIGHT	2
13	81500BM0T002	TURN LIGHT,R.LH.	1
14	B24012120000	BULB, 12V/10W	2
15	B07020000505	WASHER 5	1
16	B04000500065	NUT M5	1
17	86500B030001	REAR REFLECTOR E-MARK: DOT	1
18	81502BM0T001	LENS, REAR TURN SIGNAL LIGHT LH.	1
19	81702BM0T001	LENS, REAR TURN SIGNAL LIGHT RH.	1



#### SPEEDOMETER ASSY.

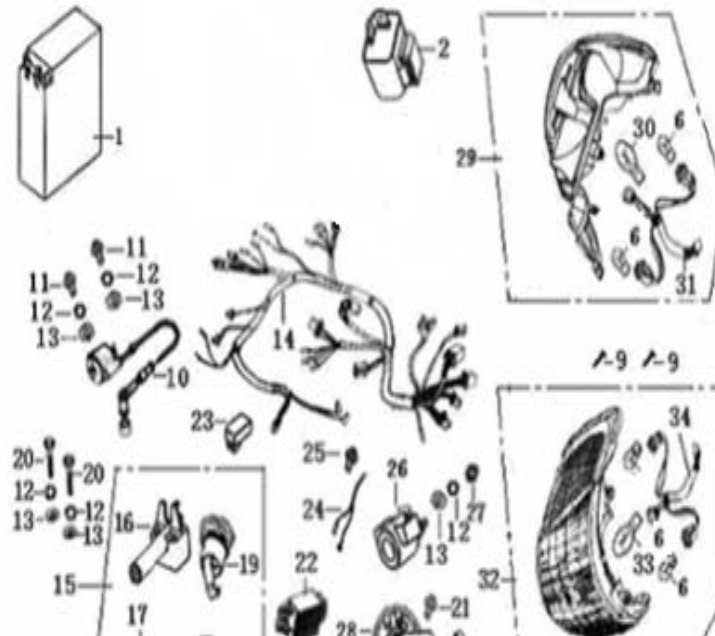
NO.	CODE	DESCRIPTION	QTY.
1	70000B92000G	SPEEDOMETER COMP.	1
2	B05074001205	SCREW 4X12MM	2
3	72900B920000	SPEEDOMETER CABLE COMP.	1
4	B24020221100	BULB 12V-2W	3
5	B05074001205	SCREW 4X12MM	1
6	70003B920001	SPEEDOMETER COVER	1
7	76000B920000	DIGITAL WATCH	1
8	75000B920002	SPEEDOMETER WIRE ASSY	1



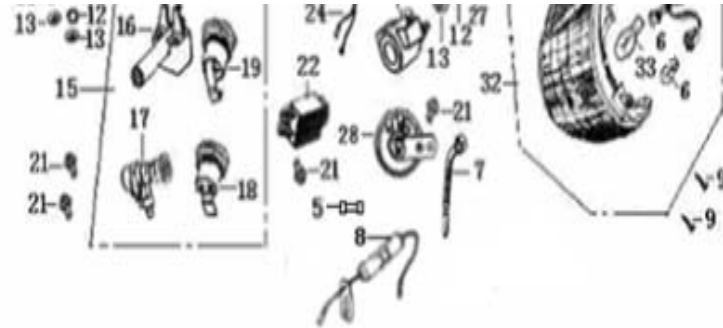



**ELECTRICAL EQUIPMENT ASSY.**

NO.	CODE	DESCRIPTION	QTY.
1	96100B910000	BATTERY 12V,4AH	1
2	96400K010001	FLASHER MANUAL TYPE	1
5	96800B030000	FUSE	1
6	B24020321102	INDICATOR BULB 12V/3W	4
8	96800B030000	FUSE COMP	1
9	B05074801305	TAPPING SCREW ST4.8×13	4
10	96200B030000	COIL ASSY.,IGNITION	1
11	B02000602064	SCREW M6×20	2
12	B07000000604	WASHER SPRING 6	5
13	B07030000604	WASHER 6	5
14	92000B03000H	HARNES, WIRING	1
15	88000B03000A	LOCK COMP.	1
16	88800B030000	SEAT LOCK	1



17	88100B03000A	LOCK ASSY. STEERING	1
18	88400B030000	LOCK FUEL TANK	1
19	88200B030000	LOCK, FRONT LUGGAGE BOX	1
20	B02000604024	SCREW M6×40	2
21	B01090601665	BOLT 6×16MM	4
22	98801T020000	RECTIFIER	1
23	97701B910001	C.D.I. UNIT COMP.	1

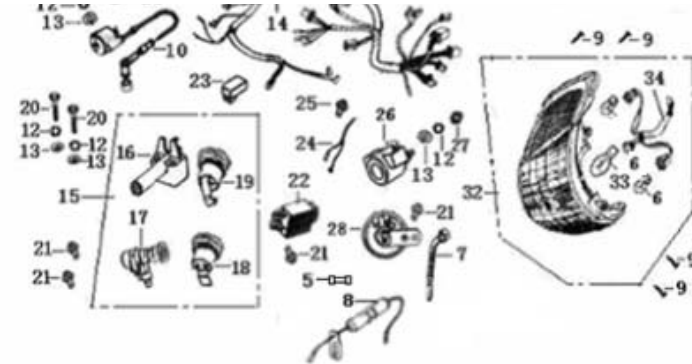


**ELECTRICAL EQUIPMENT**

NO.	CODE	DESCRIPTION	QTY.
24	96900B00T000	WIRE, EARTH	1
25	B01090601265	BOLT M6X12	1
26	94100B030000	RELAY ASSY., STARTER	1
27	B04000600054	NUT M6	1
28	95100B130000	HORN ASSY.	1
29	82008B030001	TAIL LIGHT ASSY , RR	1
30	B24013820000	TAIL LIGHT BULB 12V/21W/5W	1
31	82900B030001	WIRING ASSY. TAIL LIGHT	1

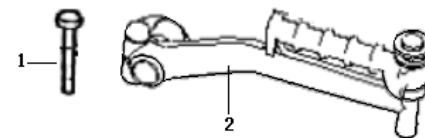


32	80004B030001	HEADLIGHT COMP	1
33	B24010520000	HEADLIGHT BULB 12V35/35W	1
34	80020B030000	WIRING ASSY.HEAD LIGHT	1



### ENGINE ATTACHMENT

NO.	CODE	DESCRIPTION	QTY.
1	B01020602565	BOLT	1
2	08350B130000	KICK STARTER ASSY.	1






**TOOL KIT ASSY.**

NO.	CODE	DESCRIPTION	QTY.
1	02110B130000	BAG, TOOL KIT	1
2	02104B130000	HANDLE, SCREW DRIVER	1
3	02101B130000	SOCKET, SPARK PLUG	1
4	02103B130000	DRIVER, DOUBLE-ENDED	1
5	02108G010000	WRENCH	1
6	B20011301603	WRENCH, DOUBLE-ENDED	1
7	B20011001203	WRENCH, DOUBLE-ENDED	1
8	B20020600003	SOCKET SPANNER	1

