

FRAME
CPI
PARTS LIST

T65-40000-00-00

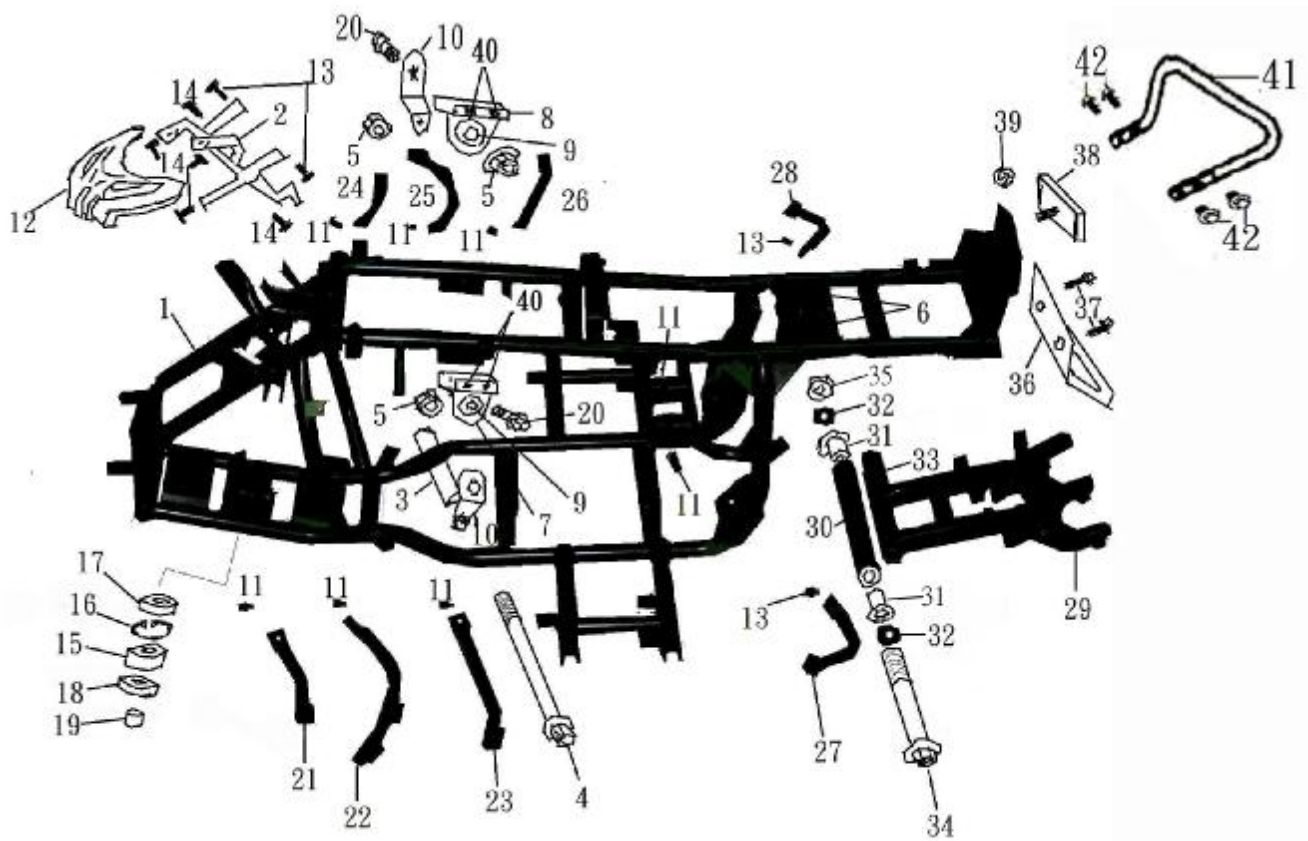
940318

|

F1

FRAME

ATV-150



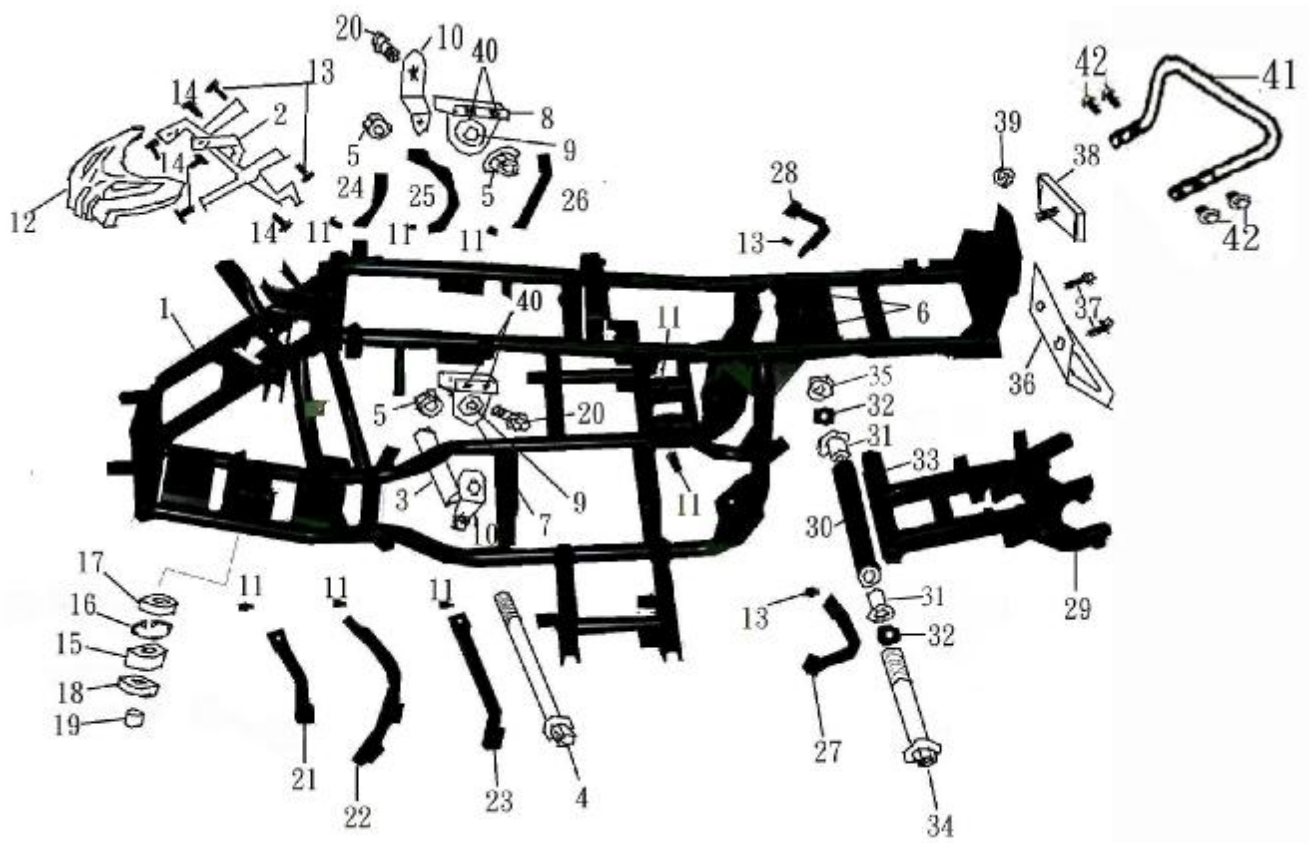
F1**FRAME**

ITEM	PARTS NO.	DESCRIPTION	REQD. NO.	
			ATV-150	
1	A01-41110-00-00	FRAME COMP	1	
2	A01-42151-00-00	FRONT FENDER ROD	1	
3	A01-48644-00-00	CDRE TUBE,1	1	
4	A01-42181-00-00	E/G MOUNTING BOLT,1	1	
5	S-4061-10000-03	FLANGE U NUT M10	3	
6	B11-42146-00-00	RUBBER	2	
7	A01-42142-00-00	ENG. HANGER BRKT	1	
8	A01-42152-00-00	ENG. HANGER BRKT ,2	1	
9	A01-42172-00-00	BUSH	2	
10	A01-42162-00-00	ENG. HANGER BRKT ,3	2	
11	S-5800-08012-02	FLANGE BOLT 8*12	8	
12	A01-63641-00-00	FRONT BUMPER	1	
13	S-5800-08016-02	FLANGE BOLT 8*16	4	
14	S-5800-06016-02	FLANGE BOLT 6*16	5	
15	S-6123-06002-20	BEARING 6002ZZ	1	
16	S-4521-12320-00	CIR-CLIP 32MM	1	
17	S-1201-18032-70	OIL SEAL 18*32*7	1	
18	S-1201-22035-70	OIL SEAL 22*35*7	1	
19	B11-45446-00-00	COLLAR	1	
20	S-5827-10050-02	FLANGE BOLT 10*50	2	
21	A01-64123-00-00	FRONT FENDER BRACKER,1	1	
22	A01-64133-00-00	FRONT FENDER BRACKER,2	1	
23	A01-64143-00-00	FRONT FENDER BRACKER,3	1	
24	A01-64153-00-00	FRONT FENDER BRACKER,4	1	
25	A01-64163-00-00	FRONT FENDER BRACKER,5	1	
26	A01-64173-00-00	FRONT FENDER BRACKER,6	1	
27	A01-64261-00-00	REAR FENDER BRACKER,1	1	
28	A01-64271-00-00	REAR FENDER BRACKER,2	1	
29	T58-48110-00-00	REAR FORK COMP.	1	
30	T58-48151-00-00	REAR FORK SPACER SLEEVE	1	

F1

FRAME

ATV-150



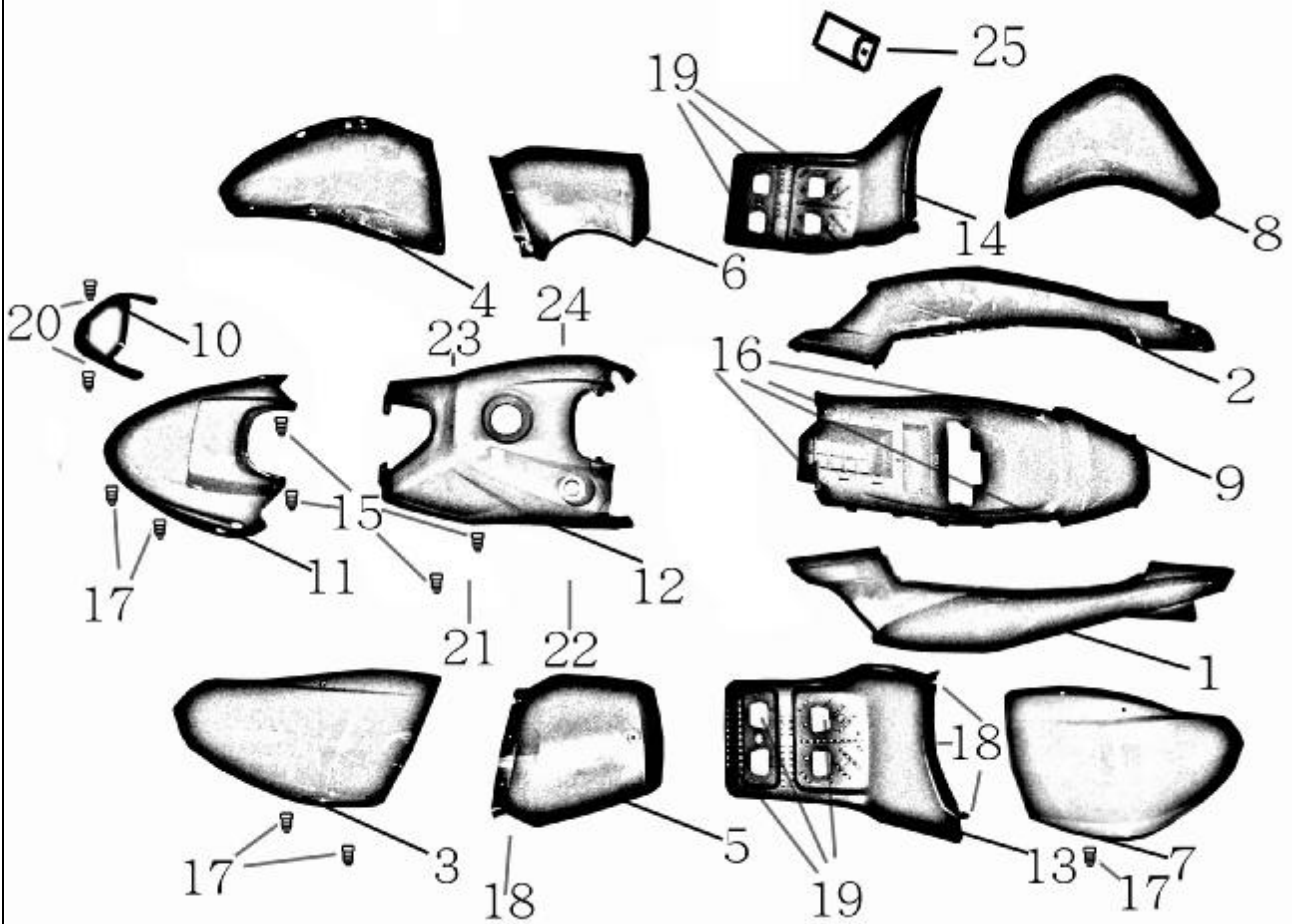
F1**FRAME**

ITEM	PARTS NO.	DESCRIPTION	REQD. NO.	
			ATV-150	
31	B11-48155-00-00	BUSHING CONTAIN OIL	2	
32	B11-48165-00-00	REAR FORK SEAL COVER	2	
33	B11-48175-00-00	RUBBER SLEEVE	1	
34	A01-48161-00-00	REAR FORK SET BOLT	1	
35	S-4061-14000-01	FLANGE U NUT	1	
36	F01-64251-00-00	LICENSE BRACKET	1	
37	S-5800-06012-04	BOLT FLANGE 6*12	2	
38	T01-25427-00-00	RR. REFLECTOR	1	
39	S-4002-05000-02	U NUT 5MM	1	
40	S-5800-10035-02	FLANGE BOLT 10*35	4	
41	A01-67511-00-00	RR.GRIP	1	
42	S-5800-08014-02	FLANGE BOLT	4	

F2

SIDE COVER

ATV-150

















F2

SIDE COVER

ITEM	PARTS NO.	DESCRIPTION	REQD. NO.	
			ATV-150	
1	A01-63511-0R-**	SIDE COVER,1	1	Please refer to below to know the colour code of plastic cover, thanks. EX: Black side cover,1=A01-63511-0R-65
2	A01-63521-0R-**	SIDE COVER,2	1	
3	A01-64111-0R-**	FRONT FENDER,1	1	
4	A01-64121-0R-**	FRONT FENDER,2	1	
5	A01-64131-0R-**	FRONT FENDER,3	1	
6	A01-64141-0R-**	FRONT FENDER,4	1	
7	A01-64211-0R-**	REAR FENDER,1	1	
8	A01-64221-0R-**	REAR FENDER,2	1	
9	A01-68111-0R-**	LUGGAGE BOX	1	
10	A01-62316-0R-**	METER VISOR	1	
11	A01-63111-0R-**	LEG SHIELD,1	1	
12	A01-63121-0R-**	LEG SHIELD,2	1	
13	A01-63411-00-00	FLOOR,1	1	
14	A01-63421-00-00	FLOOR,2	1	
15	S-3900-05012-04	SCREW TAPPING M5*12	10	
16	S-3404-06012-03	EXAGON HEAD SCREW WITH WASHER 6*12	4	
17	S-3530-06018-77	PAN HEAD SCREW	18	
18	B01-63576-00-00	SPRING NUT	12	
19	S-5800-06012-04	FLANGE BOLT M6*12	10	
20	S-3891-04014-02	SCREW WASHER 4*14	2	
21	A01-61111-00-00	STICKER,1	1	
22	A01-61121-00-00	STICKER,2	1	
23	A01-61131-00-00	STICKER,3	1	
24	A01-61141-00-00	STICKER,4	1	
25	B03-71110-00-00	TOOL KIT	1	

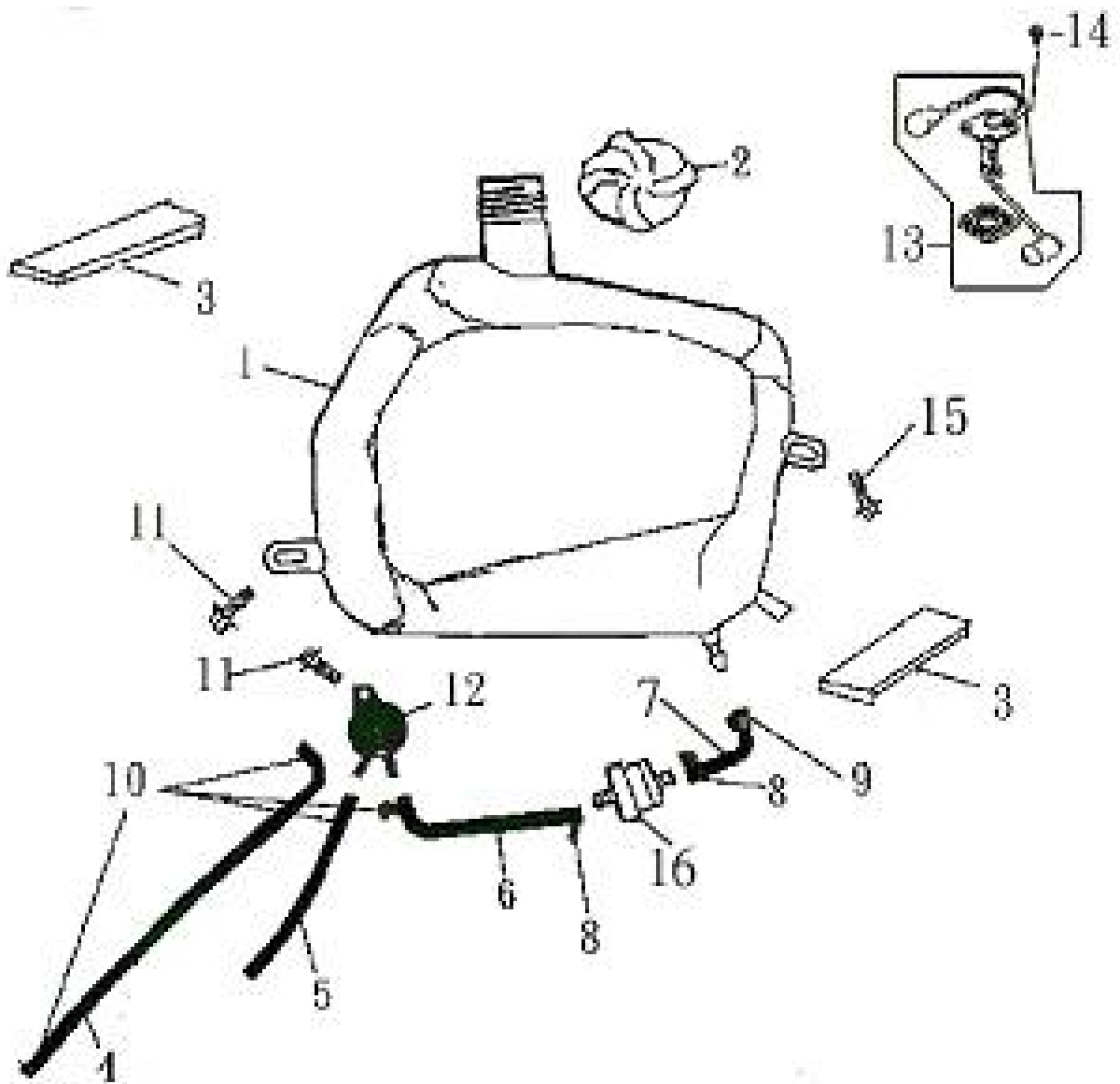
✂The colour code of plastic cover

Colour	Red	Yellow	Blue	Black	Silver	Orange	Green	Light yellow	Source
Painted									
Code	10	24	43	63	78	80	3B		
Original									
Code	1D	22	4B	65	78	X	39	29	00

F3

FUEL TANK

ATV- 150



F3**FUEL TANK**

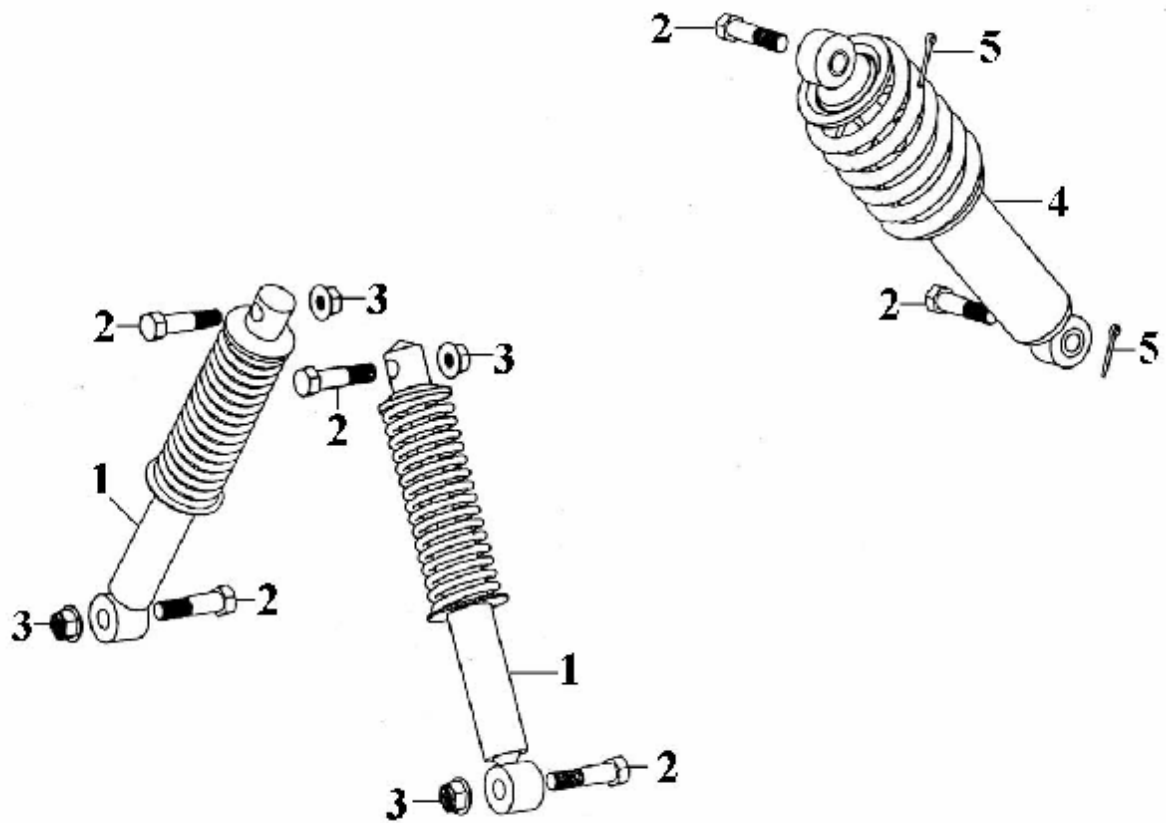
ITEM	PARTS NO.	DESCRIPTION	REQD. NO.	
			ATV-150	
1	A01-52110-00-00	FUEL TANK COMP.	1	
2	A01-52211-00-00	FUEL TANK CAP COMP.	1	
3	A01-42156-00-00	DAMPER	2	
4	A01-52371-00-00	FUEL HOSE,1	1	
5	A01-52372-00-00	FUEL HOSE,2	1	
6	A01-52373-00-00	FUEL HOSE,3	1	
7	A01-52374-00-00	FUEL HOSE,4	1	
8	A-4202-08070-00	CLIP	2	
9	A-4204-08120-00	TUBE CLIP B 12MM	1	
10	A-4202-08080-00	CLIP	4	
11	S-5800-06016-02	FLANGE BOLT 6*16	2	
12	A01-52310-00-00	FUEL COCK ASSY.	1	
13	A01-52510-00-00	SENDER UNIT ASSY	1	
14	S-3891-05012-02	BOLT W/WHASHER	4	
15	T36-52027-00-00	BOLT W/HOLE	1	
16	B11-52410-00-00	FUEL FILTER ASSY.	1	

※14.因原螺栓 S-3401-05014-04 過長導致油箱有滲油之現象，故由服務課發設變建議單請車架課設變為 S-3891-05012-02(94.02.24 發文)

F4

**FRONT/REAR SHOCK
ABSORBER**

ATV-150



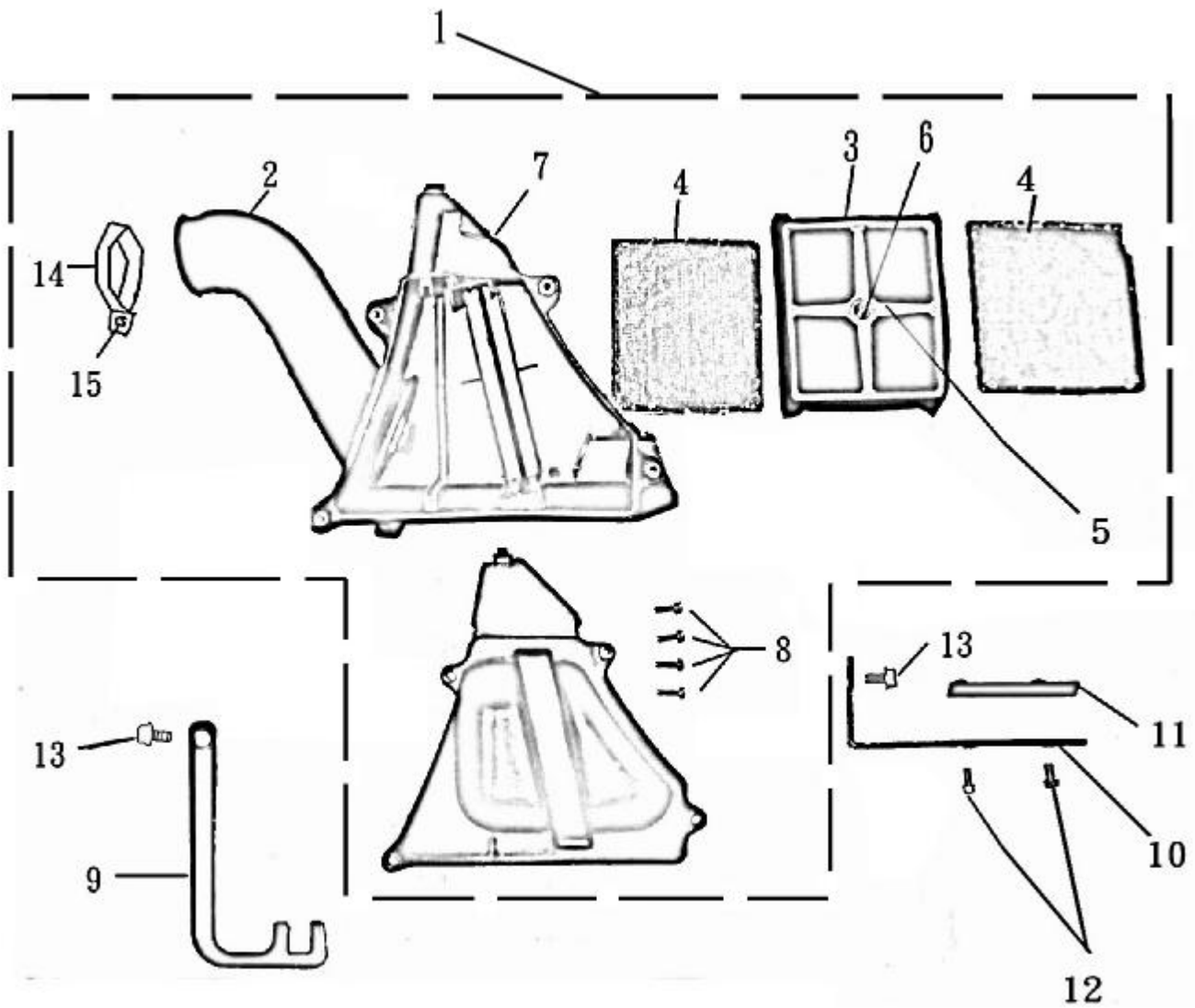
F4**FRONT/REAR SHOCK ABSORBER**

ITEM	PARTS NO.	DESCRIPTION	REQD. NO.	
			ATV-150	
1	A01-47210-10-00	FR. SHOCK ABSORBER ASSY	2	
2	S-5827-10040-04	BOLT W/HOLE 10*42	6	
3	S-4061-10000-03	FLANGE U NUT M10	4	
4	T58-48210-00-00	RR. SHOCK ABSORBER ASSY.	1	
5	S-4251-12221-00	SPLIT PIN 1.2*22	2	

F5

AIR CLEANER

ATV-150



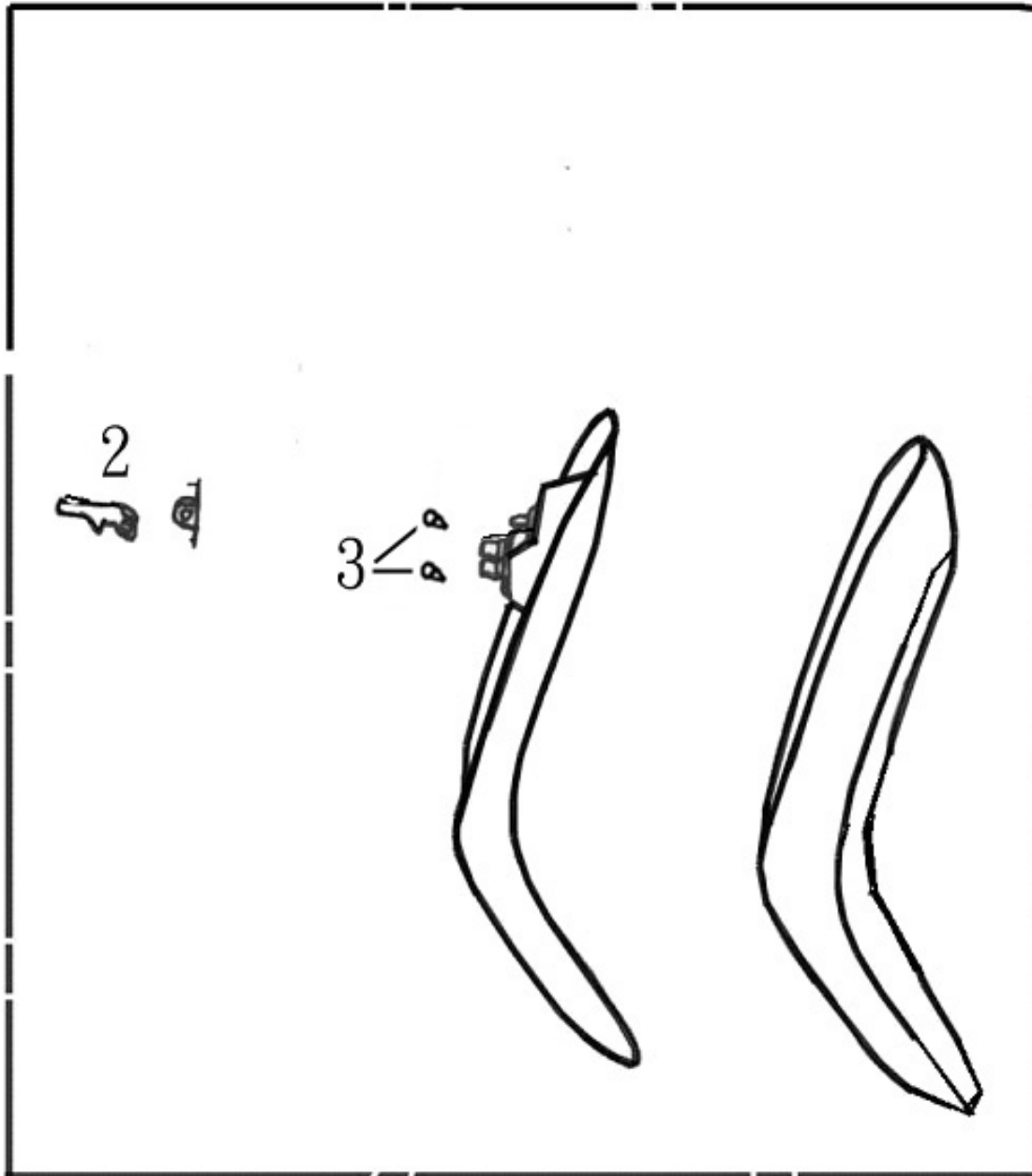
F5**AIR CLEANER**

ITEM	PARTS NO.	DESCRIPTION	REQD. NO.	
			ATV-150	
1	A01-09110-00-00	AIR CLEANER ASSY	1	
2	A01-09131-00-00	AIR CLEANER JOINT	1	
3	D01-09114-00-00	AIR CLEANER ELEMENT	1	
4	D01-09123-00-00	TRAP	2	
5	D01-09124-00-00	PLATE	2	
6	S-3910-04006-02	TAPPING SCREW 4*6	1	
7	D01-09115-00-00	SEAL	1	
8	S-3891-05016-11	SCREW W/WASHER 5*16	4	
9	A01-09187-00-00	AIR CLEANER BRACKET,1	1	
10	A01-09197-00-00	AIR CLEANER BRACKET,2	1	
11	A01-09198-00-00	FIXING PLATE	1	
12	S-5800-06016-02	BOLT 6X12	2	
13	S-5800-08014-02	BOLT 8X14	2	
14	D01-09176-00-00	CLAMP	1	
15	S-3500-04025-01	PAN HEAD SCREW 4X25	1	
16	B10-42160-10-00	AIR DUCT ASSY	1	
17	B10-42168-00-00	CLAMP	1	
18	S-3500-04025-01	PAN HEAD SCREW 4X25	1	

F6

SEAT

ATV-150



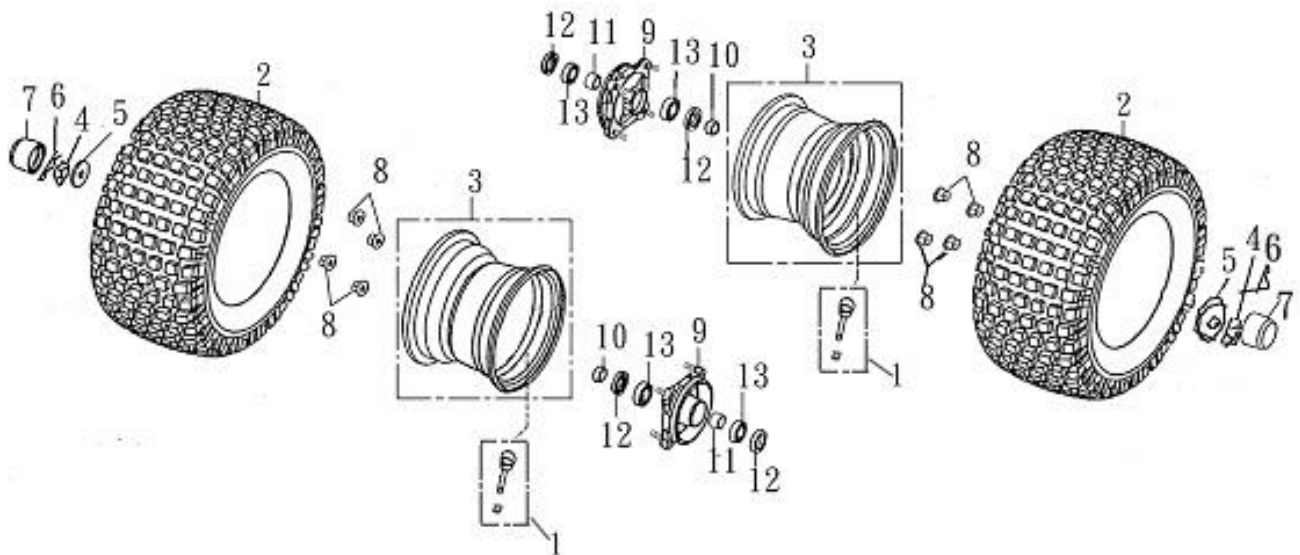
F6**SEAT**

ITEM	PARTS NO.	DESCRIPTION	REQD. NO.	
			ATV-150	
1	A01-66111-00-00	DOUBLE SEAT ASSY.	1	
2	B11-66131-00-00	SEAT CATCH COMP.	1	
3	S-3900-04012-04	TAPPING SCREW	2	

F7

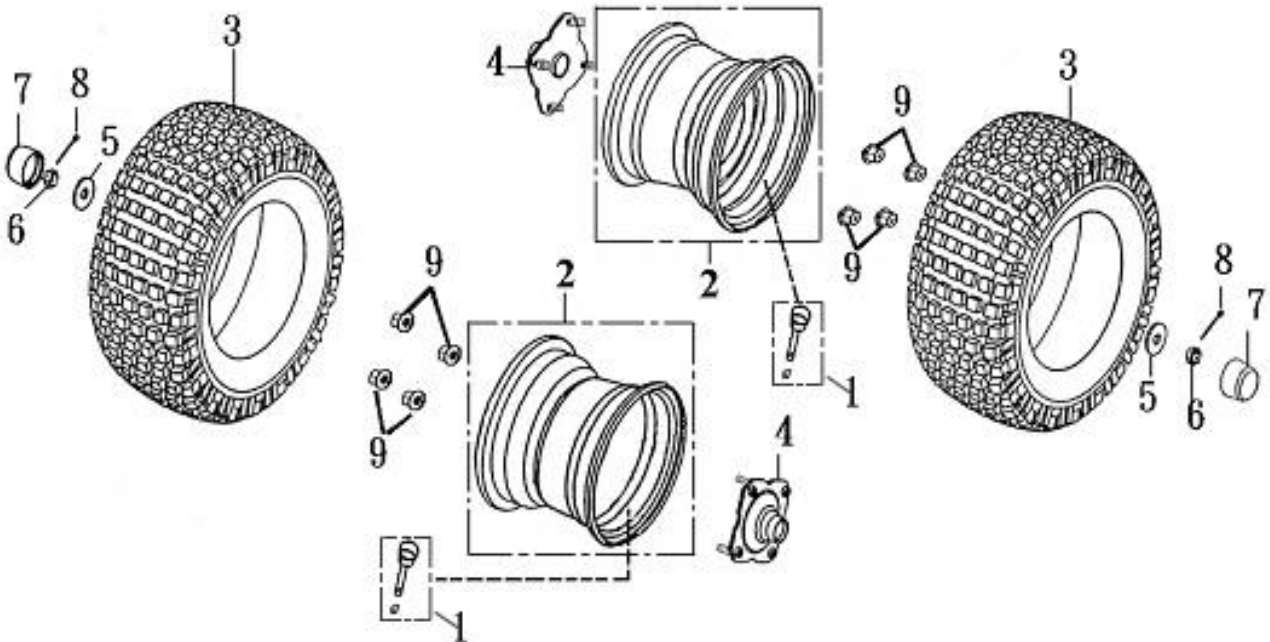
FRONT WHEEL

ATV-150



F7**FRONT WHEEL**

ITEM	PARTS NO.	DESCRIPTION	REQD. NO.	
			ATV-150	
1	B11-43322-00-00	RIM VALVE	2	
2	A01-43311-00-00	TIRE	2	
3	A01-43210-00-00	WHEEL COMP. 10"X8"	2	
4	B11-43266-00-00	CASTLE NUT	2	
5	B11-43256-00-00	WASHER	2	
6	S-4201-22305-03	SPLIT PIN 2.2*30.5	2	
7	B11-43268-00-00	RUBBER CAP	2	
8	S-4061-10000-03	FLANGE U NUT M10	8	
9	A01-45442-00-00	FRONT BRAKE DROM	2	
10	A01-45456-00-00	COLLAR	2	
11	A01-45446-00-00	COLLAR	2	
12	S-1201-23035-60	RING 23*35*6	4	
13	S-6120-06003-10	BALL BEARING 6003Z	4	



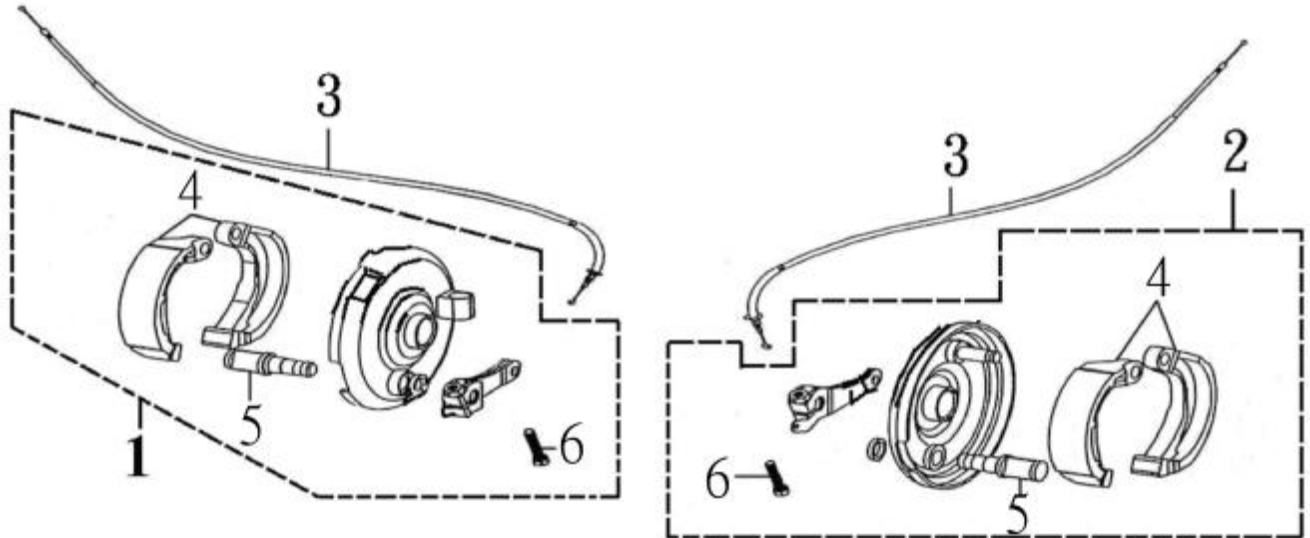
F8**REAR WHEEL**

ITEM	PARTS NO.	DESCRIPTION	REQD. NO.	
			ATV-150	
1	B11-43322-00-00	RIM VALVE	2	
2	A01-44210-00-00	WHEEL COMP.	2	
3	A01-44311-00-00	TIRE 21X10-8	2	
4	A01-44223-00-00	REARWHEEL CONNECTER	2	
5	B11-44256-00-00	WASHER	2	
6	B11-44266-00-00	CASTLE NUT M14	2	
7	B11-43268-00-00	RUBBER CAP	2	
8	S-4201-22305-03	SPLIT PIN 2.2*30.5	2	
9	S-4061-10000-03	FLANGE U NUT M10	8	

F9

FRONT BRAKE

ATV-150



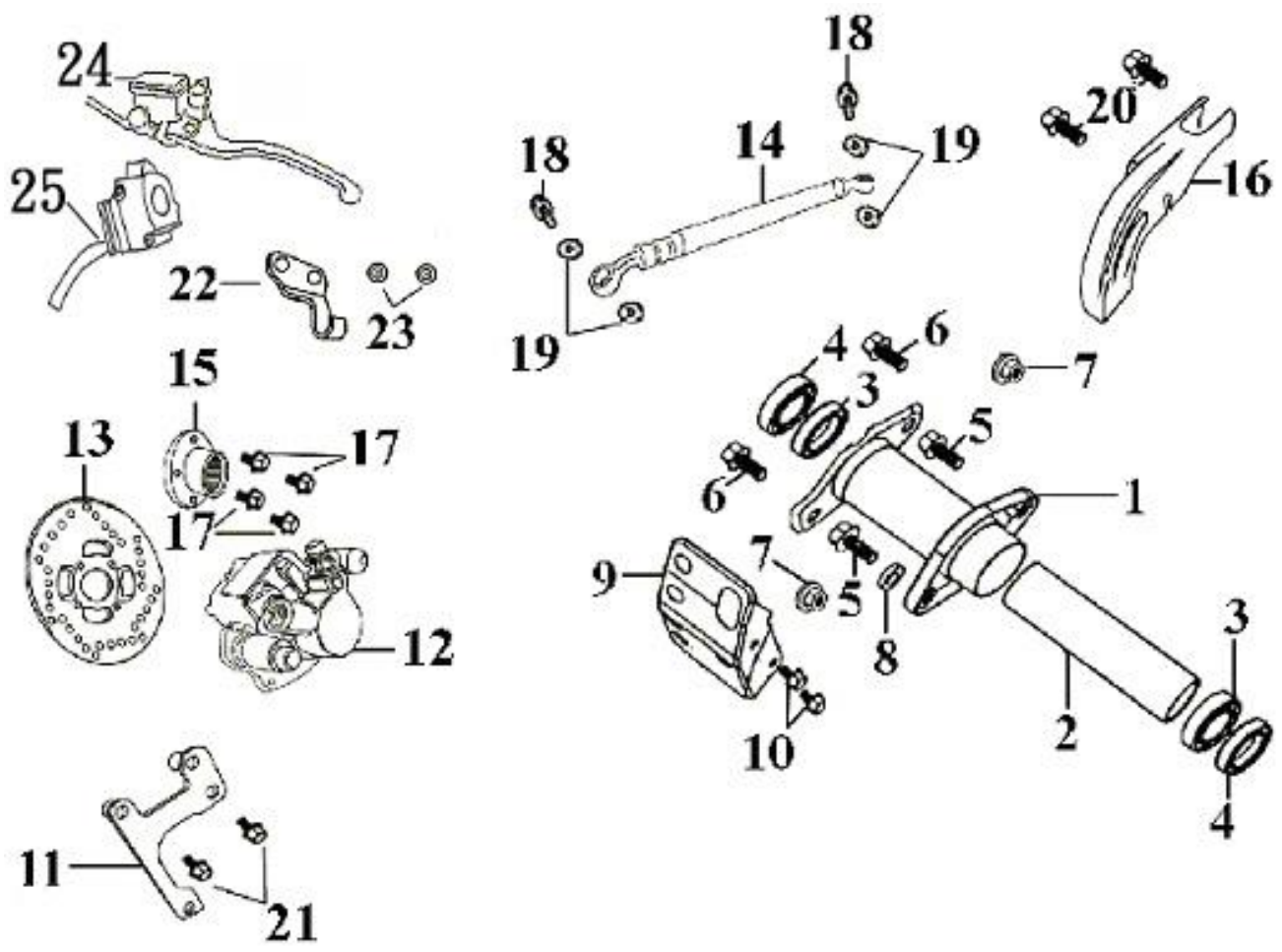
F9**FRONT BRAKE**

ITEM	PARTS NO.	DESCRIPTION	REQD. NO.	
			ATV-150	
1	T58-45440-00-00	FRONT BRAKE PANEL ASSY. LEFT	1	
2	T58-45450-00-00	FRONT BRAKE PANEL ASSY. RIGHT	1	
3	A01-58111-00-00	BRAKE CABLE,1	2	
4	T01-45420-00-00	BRAKE SHOE KIT	2	
5	A01-45621-00-00	CAM SHAFT,1	2	
6	S-2201-06030-03	HEX. BOLT	2	

F10

REAR BRAKE

ATV-150

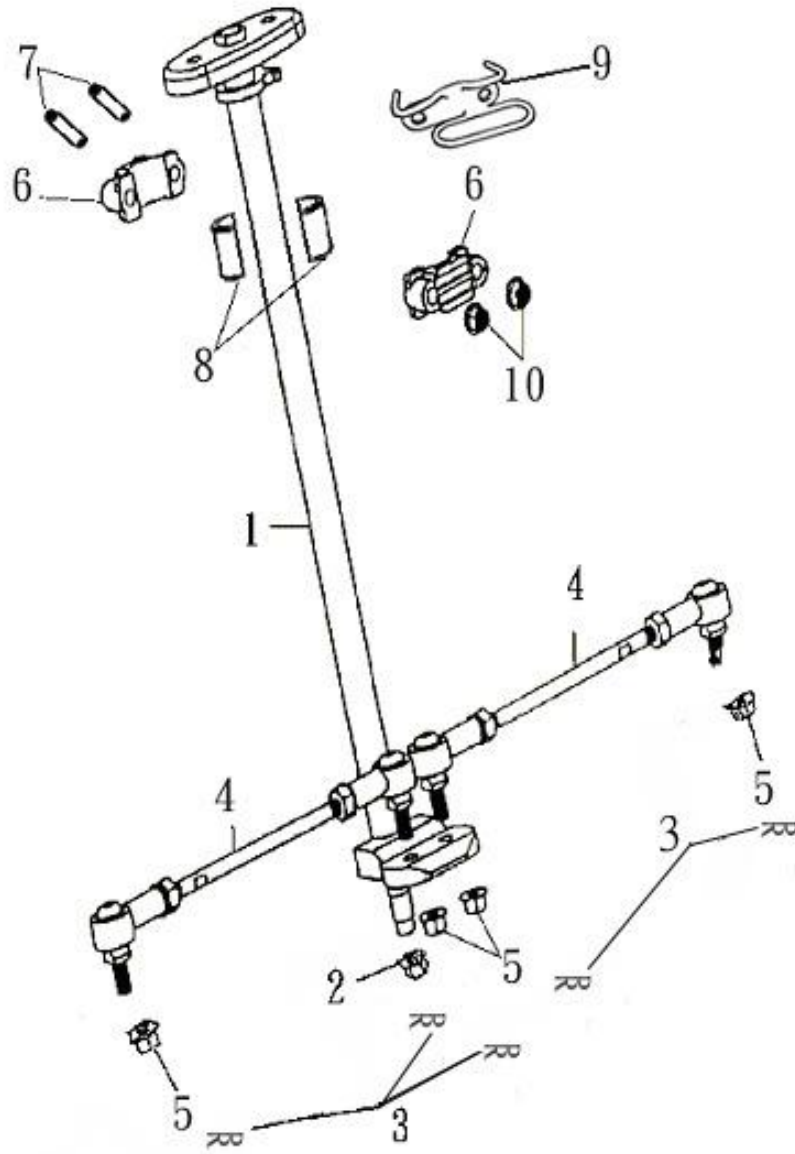


F10**REAR BRAKE**

ITEM	PARTS NO.	DESCRIPTION	REQD. NO.	
			ATV-150	
1	T58-44521-00-00	REAR WHEEL AXLE SEAT	1	
2	A01-44522-00-00	SPACER TUBE	1	
3	S-6120-06006-20	BALL BEARING 6006ZZ	2	
4	S-1201-35055-11	OIL SEAL 35X55X11	2	
5	S-5800-12028-02	FLANGE BOLT 12X28	2	
6	S-5800-12050-02	FLANGE BOLT 12X50	2	
7	S-4060-12000-03	HEX. NUT 12MM	2	
8	B11-44527-00-00	WASHER	1	
9	T58-46443-00-00	REAR BRAKE COVER	1	
10	S-5800-08014-02	FLANGE BOLT 8X14	2	
11	T58-45235-00-00	CALIPER STAY	1	
12	T58-45200-00-00	CALIPER ASSY.	1	
13	T58-45251-00-00	BRAKE DISC	1	
14	F02-45310-10-00	BRAKE HOSE	1	
15	T58-45255-00-00	BRAKE DISC STAY	1	
16	B12-16942-00-00	CHAIN CASE,2	1	
17	S-6700-06014-04	SOCKET BOLT 6X14	4	
18	B01-45185-00-00	UNION BOLT	2	
19	S-4101-10143-50	PLATE WASHER 10MM	4	
20	S-5800-08014-02	FLANGE BOLT 8X14	2	
21	S-5701-08025-01	FLANGE BOLT 8X25	2	
22	T58-45375-00-00	CALIPER STAY	1	
23	S-4051-08000-03	FLAGNE NUT 8MM	2	
24	T36-45100-00-00	MASTER CYLINDER ASSY.	1	
25	A01-27700-00-00	LEFT HANDLE SWITCH ASSY.	1	

F11**HANDLE BAR**

ITEM	PARTS NO.	DESCRIPTION	REQD. NO.	
			ATV-150	
1	A01-62110-00-00	HANDLE COMP.	1	
2	B11-62222-00-00	HANDLE HOLDER ASSY.	2	
3	S-4601-10000-03	NUT LICK M10	2	
4	B11-62225-00-00	HANDLE HOLDER COVER,1	1	
5	B11-62235-00-00	HANDLE HOLDER COVER,2	1	
6	T36-62251-00-00	GRIP	2	
7	S-6700-06025-03	SOCKET BOLT	4	
8	F01-27850-00-00	LEVEL ASSY ,RIGHT	1	
9	B11-27870-00-00	STOP SWITCH ASSY,2	1	
10	B11-27770-00-00	STOP SWITCH ASSY,1	1	
11	A01-62325-00-00	HANDLE COVER STAY	1	
12	S-6000-06012-70	FLANGE BOLT 6X12	2	
13	A01-24110-00-00	SPEEDOMETER ASSY.	1	KM
	F25-24110-00-00	SPEEDOMETER ASSY.	1	MPH
14	T38-24136-00-00	SPEEDOMETER,1	1	
15	S-6700-05018-02	SOCKET BOLT5*18	2	
16	S-6700-05012-02	SOCKET BOLT5*12	2	
17	T38-24138-00-00	SPEEDOMETER,3	1	
18	T38-24137-00-00	SPEEDOMETER,2	1	
19	S-4101-05133-22	PLAIN WASHER	2	



F12**STEERING**

ITEM	PARTS NO.	DESCRIPTION	REQD. NO.	
			ATV-150	
1	A01-62140-00-00	SHAFT. STEERING	1	
2	S-4061-14000-01	NUT,2 M14	1	
3	S-4201-22305-03	SPLIT PIN 2.2*30.5	5	
4	A01-62143-00-00	STEERING TIEROD ASSY.	2	
5	S-4061-10000-03	FLANGE U NUT M10	4	
6	A01-62146-00-00	HOLDER STEERING SHAFT	2	
7	A01-62147-00-00	HOLDER STEERING SHAFT COLLAR	2	
8	A01-62158-00-00	SLEEVE	2	
9	A01-58293-00-00	HOLDER	1	
10	S-4051-08000-03	FLANGE NUT M8	2	

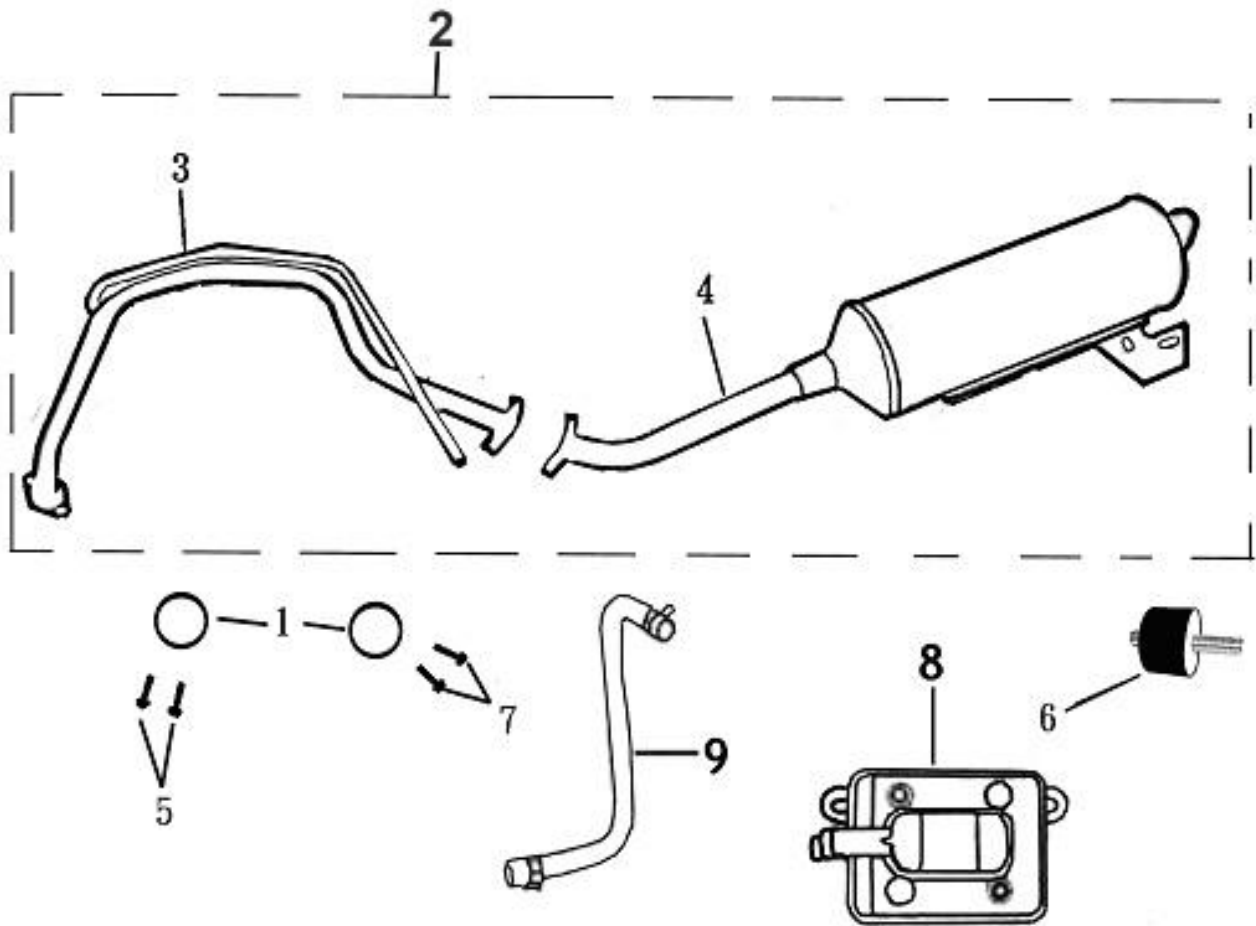
F13**FRONT SWING ARM**

ITEM	PARTS NO.	DESCRIPTION	REQD. NO.	
			ATV-150	
1	A01-47311-00-00	FRONT SWING ARM,1	1	
2	A01-47357-00-00	BUSH COUNTAIN OIL,1	4	
3	A01-47337-00-00	COLLAR	2	
4	B11-47367-00-00	GREASE VALVE	2	
5	B11-47368-00-00	GREASE VALVE CAP	2	
6	A01-47336-00-00	DUST SEAL	4	
7	A01-47321-00-00	FRONT SWING ARM,2	1	
8	S-5801-10080-02	BOLT FLANGE 10*80	4	
9	S-4061-10000-03	FLANGE U NUT M10	4	
10	B11-47339-00-00	BUSH	4	
11	S-5801-10048-02	FLANGE BOLT 10X48	4	
12	S-4061-10000-03	FLANGE U NUT 10MM	4	
13	A01-62144-00-00	KNUCKLE,1	1	
14	A01-62154-00-00	KNUCKLE,2	1	
15	S-4201-22305-03	SPLIT PIN	2	

F14

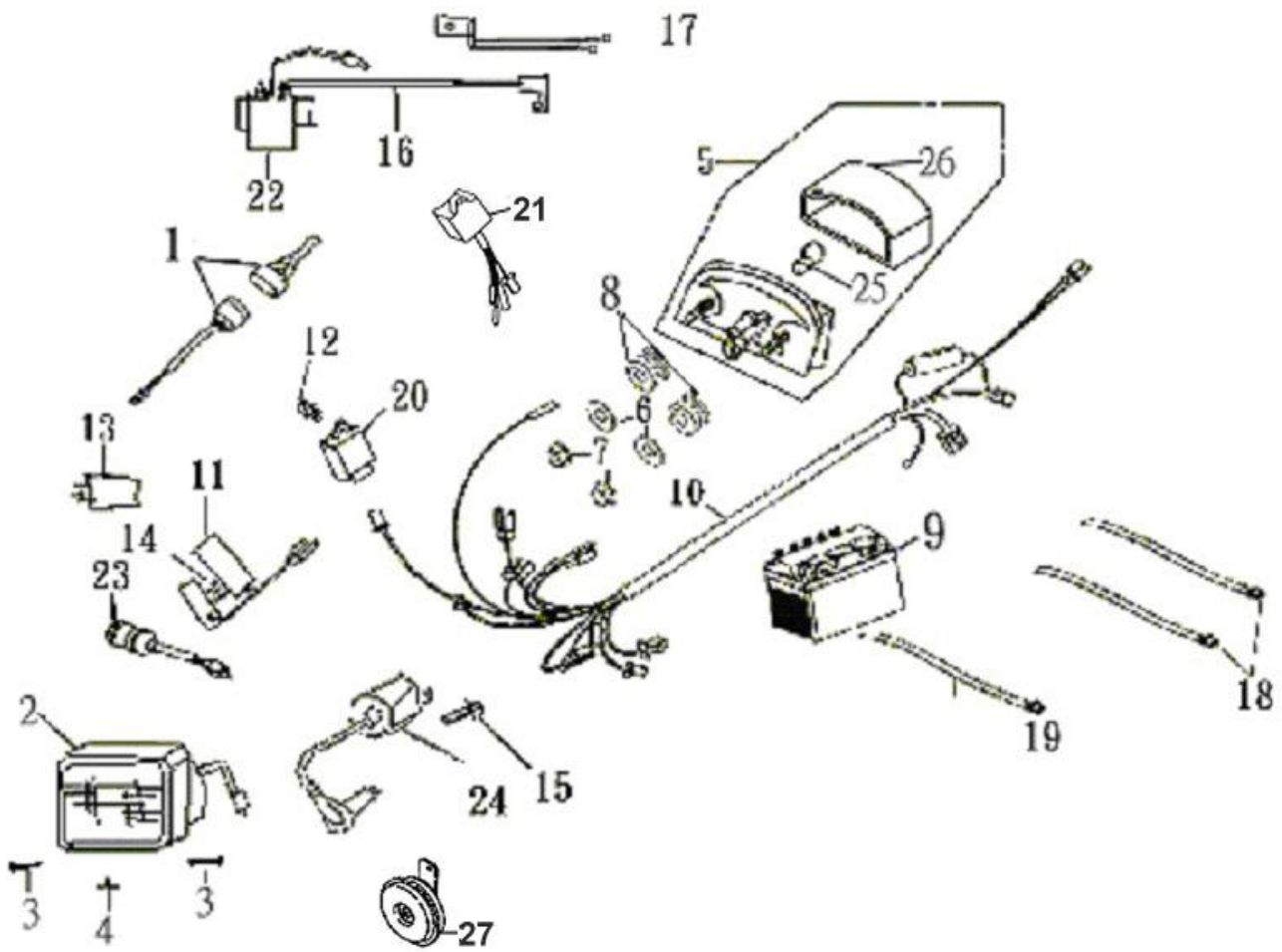
MUFFLER ASSY.

ATV-150



F14**MUFFLER ASSY.**

ITEM	PARTS NO.	DESCRIPTION	REQD. NO.	
			ATV-150	
1	B10-18131-00-00	EXHAUST PIPE GASKET	2	
2	A01-18200-00-00	EXHAUST PIPE ASSY	1	
3	A01-18201-00-00	EXHAUST MANIFOLD	1	
4	A01-18211-00-00	MUFFLER	1	
5	B03-18138-00-00	NUT	2	
6	T36-18195-00-00	DAMPER	1	
7	S-5800-06016-02	FLANGE BOLT 6*16	2	
8	T38-71210-00-00	REED VALVE	1	
9	T50-71213-00-00	PIPE,2	1	



F15**ELECTRICAL PARTS**

ITEM	PARTS NO.	DESCRIPTION	REQD. NO.	
			ATV-150	
1	A01-56212-00-00	SAFETY SWITCH	1	
2	A01-25100-00-00	HEAD LIGHT ASSY	1	
3	S-3894-05014-02	SCREW WASHER 5*14	2	
4	S-3500-04010-04	SCREW PAN 4*10	1	
5	T36-25400-10-00	TAIL LIGHT ASSY	1	
6	S-4101-06193-00	PLAIN WASHER	2	
7	S-4050-06000-01	NUT FLANGE M6	2	
8	B11-42158-00-00	DAMPER,3	2	
9	A01-23410-00-00	BATTERY ASSY	1	
10	A01-23610-00-00	WIRE HARNESS ASSY	1	
11	B03-28410-00-00	RESISTOR COMP	1	
12	S-5800-06012-01	FLANGE BOLT 6*12	1	
13	T36-28110-00-00	FLASHER RELAY COMP	1	
14	S-3500-06012-03	PAN HEAD SCREW 6*12	1	
15	S-2000-05020-01	HEX BOLT 5*20	1	
16	A01-23651-00-00	BATTERY CABLE	1	
17	A01-23661-00-00	EARTH CORD	1	
18	A-4402-02502-01	BAND	6	
19	A-4404-03001-01	BAND HV-300	1	
20	81A-21310-00-00	REGULATOR COMP.	1	
21	81G-23110-00-00	C.D.I. UNIT COMP.	1	
22	81A-28310-00-00	STARTER RELAY COMP.	1	
23	B11-56210-00-00	MAIN SWITCH ASSY.	1	
24	81E-23140-00-00	IGNITION COIL ASSY.	1	
25	T36-25451-00-00	BULB,1	1	
26	T36-25412-00-00	TAIL LIGHT LENS	1	
27	T01-28210-20-00	HORN	1	

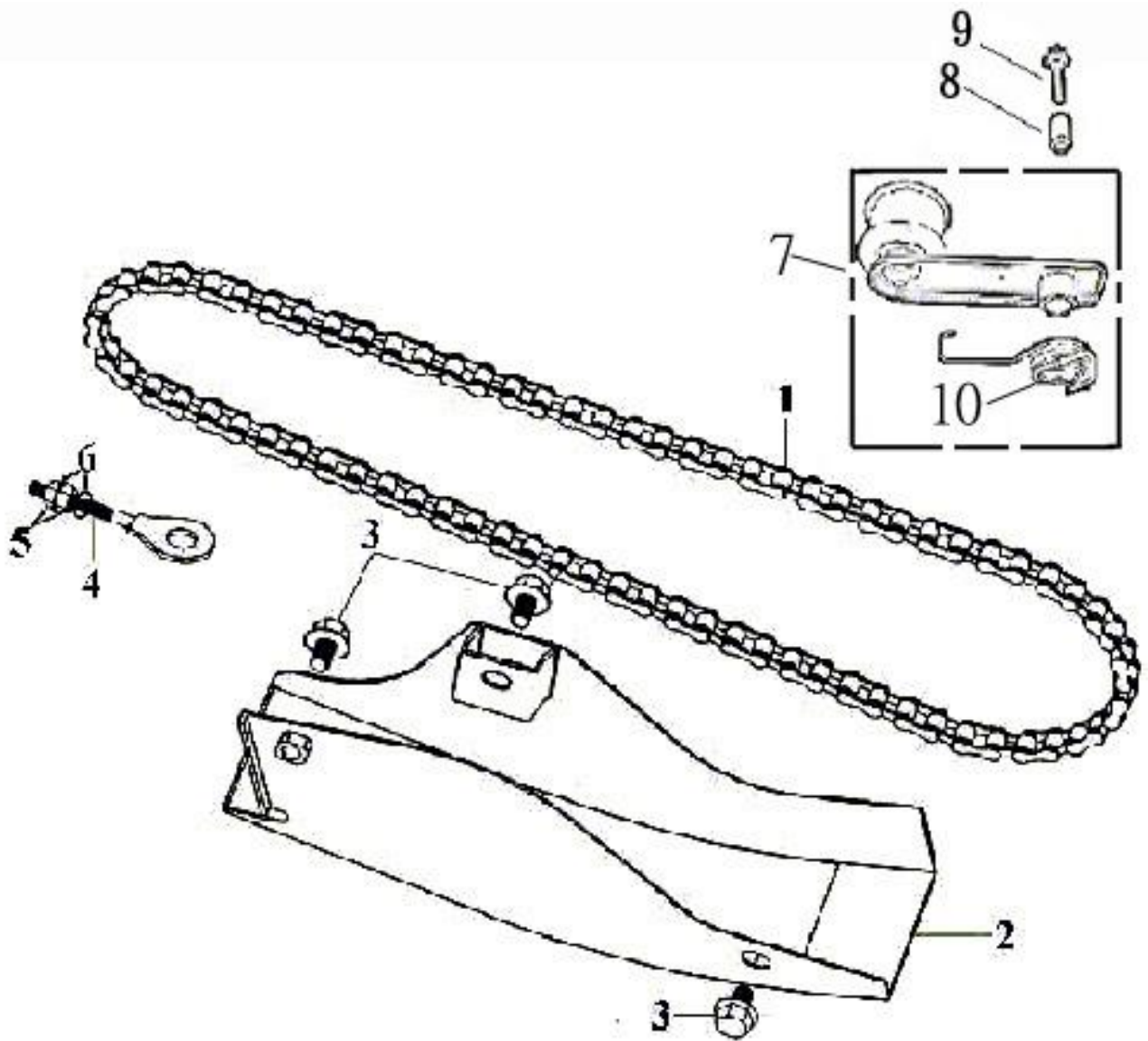
F16**REAR WHEEL AXLE**

ITEM	PARTS NO.	DESCRIPTION	REQD. NO.	
			ATV-150	
1	A01-44511-00-00	REAR WHEEL AXLE	1	
2	S-6700-06014-04	FLANGE BOLT 6X14	3	
3	S-4111-08145-33	SPRING WASHER 8MM	3	
4	A01-16950-00-00	SPROCKET ASSY.	1	
5	A01-16955-00-00	SPROCKET HOLDER	1	
6	A01-16930-00-00	SPROCKET (35T)	1	
7	A01-24126-00-00	SPEEDOMETER SENSOR ASSY	1	
8	T38-24128-00-00	SPEEDOMETER SENSOR	1	
9	A01-24127-00-00	SPEEDOMETER MAGENT	1	

F17

CHAIN

ATV-150



F17**CHAIN**

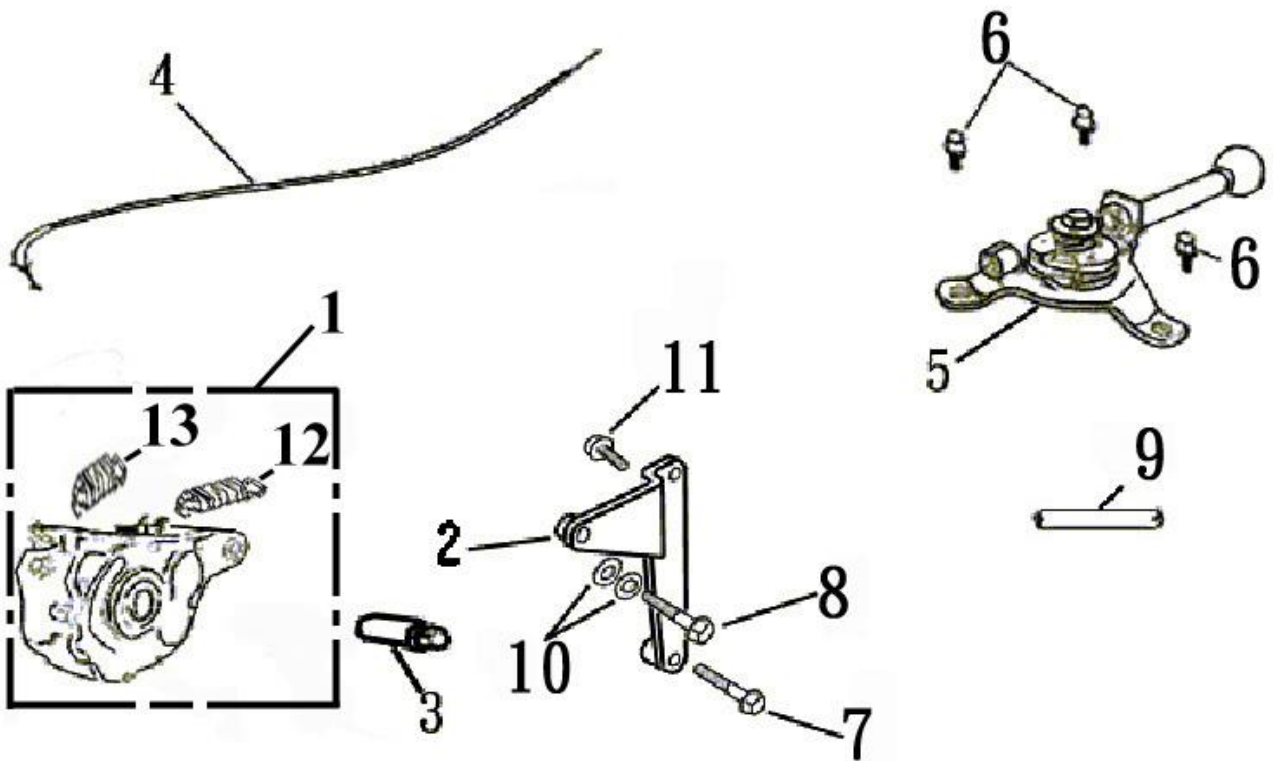
ITEM	PARTS NO.	DESCRIPTION	REQD. NO.	
			ATV-150	
1	A01-16960-00-00	DRIVE CHAIN	1	
2	A01-16941-00-00	CHAIN COVER	1	
3	S-5800-08012-02	FLANGE BOLT	3	
4	T58-46470-00-00	CHAIN ADJUST ASSY,1	1	
5	S-4001-08000-01	HEX NUT M8	2	
6	S-2500-08065-04	HEX. BOLT 8*65	1	
7	A01-16940-00-00	CHAIN GUIDE WHEEL COMP.	1	
8	B11-71146-00-00	COLLAR	1	
9	S-5800-08030-02	FLANGE BOLT	1	
10	T55-16943-00-00	SPRING	1	

◎ 2005-01-17 之前誤植為 B11-46471-00-00 故修改為
T58-46470-00-00。

F18

REVERS SYSTEM

ATV-150



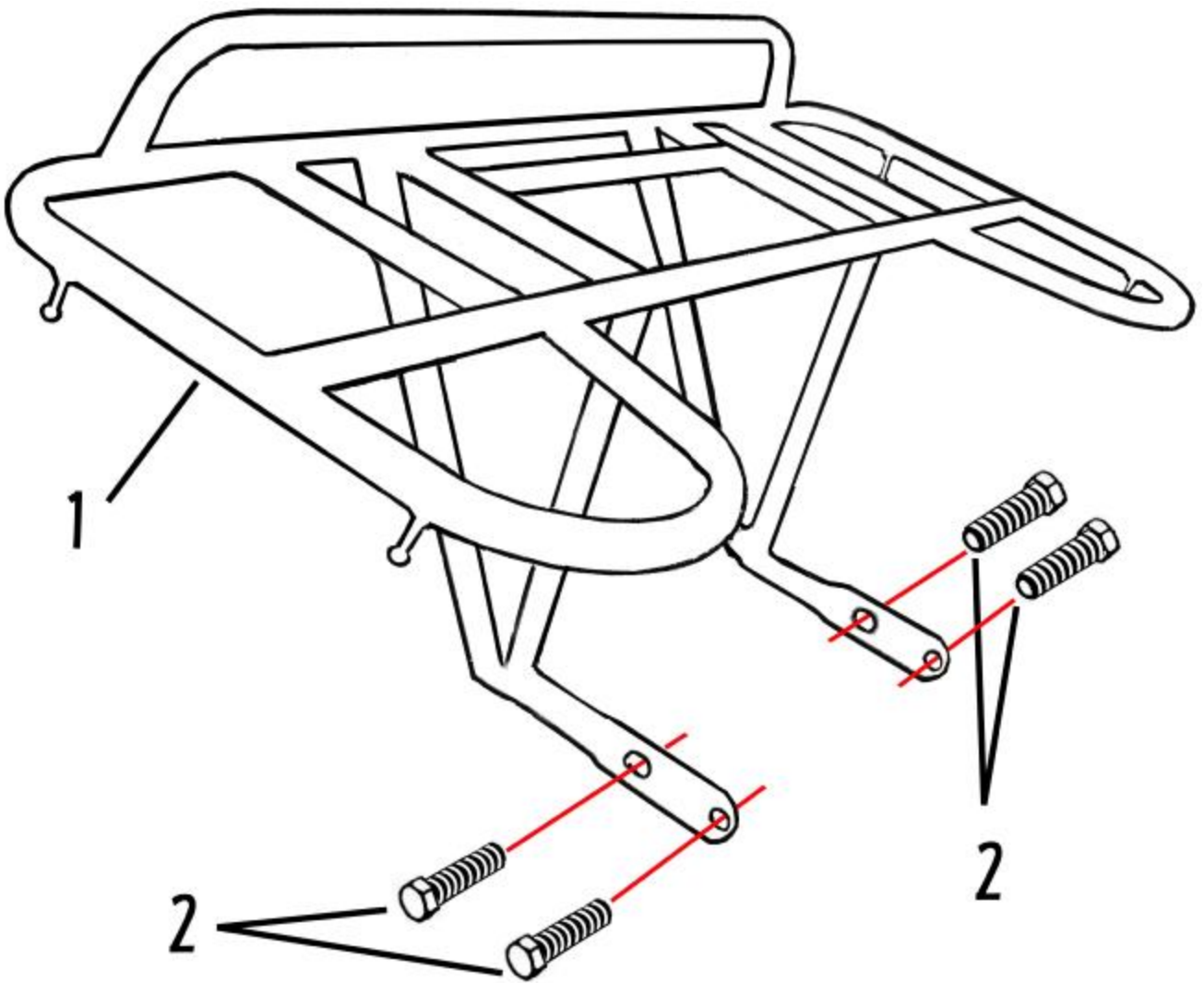
F18**REVERS SYSTEM**

ITEM	PARTS NO.	DESCRIPTION	REQD. NO.	
			ATV-150	
1	81G-19000-00-00	REVERSE GEAR BOX ASSY.	1	
2	A01-71162-00-00	REVERSE SYSTEM STAY	1	
3	81G-19013-00-00	BOLT (M16)	1	
4	A01-62262-00-00	REVERSE CABLE	1	
5	F02-62277-00-00	REVERSE LEVER ASSY.	1	
6	S-3500-06012-03	PAN HEAD SCREW	3	
7	S-5801-08038-02	FLANGE BOLT 8X38	1	
8	S-5800-10050-02	FLANGE BOLT 10X50	2	
9	61A-07117-00-00	SHROUD DAMPER B	1	
10	S-4101-10185-27	WASHER	2	
11	S-5800-08020-02	FLANGE BOLT 8X20	1	
12	61J-19014-00-00	SPRING, 1	1	
13	61J-19015-00-00	SPRING, 2	1	

F19

REAR CARRIER

**ATV
150**



F19**REAR CARRIER**

ITEM	PARTS NO.	DESCRIPTION	REQD. NO.	
			ATV- 125/150	
1	A01-71151-00-00	REAR CARRIER	1	
2	S-5800-08014-02	FLANGE BOLT 8x14	4	

M E N O ...

